

***ANF125MR / ANF125MRM
AFP125KCS / AFP125KS / AFP125MCS***

ANF125MR₅
ANF125MRM₅
ANF125MR₇
ANF125MRM₇
ANF125MR₈
ANF125MRM₈
ANF125MR₉
ANF125MRM₉
AFP125KCS_A
AFP125KS_A
AFP125MCS_A

PARTS CATALOGUE

2

FOREWORD INDEX

1

ENGINE GROUP

2

FRAME GROUP

3

PART NUMBER INDEX

4

PART NAME INDEX

5

Instruction for use of parts catalogue

- **This parts catalogue has been created as of February 01, 2010.**
 - Since this date, the sales practice for repair parts may have been changed or the parts may have been eliminated (listed for those not for sale).
 - The modified information is reflected on the latest Electronic Parts Catalogue (EPC).
Also, refer to the parts catalogue news for any change.
 - See the parts catalogue news for any revision that is made after February 01, 2010.
- **Always specify the part number when ordering a part.**
 - Check the model, type, serial numbers, color, maker, and the size as needed before ordering a part.
 - Note that the illustrations (part drawings) can differ from the actual parts in shape.
They are given just to help you to refer to the parts.
- **When modifications or additions to this parts catalogue are made, a revised edition will be issued at an appropriate time, with successively progressing revision numbers on the cover. We recommend obtaining such revisions in order to keep your parts catalogue up-to-date at all times. To check whether a parts catalogue revision has been issued, please contact your Honda distributor.**

Initial version issue date
September 10, 2004
Honda Motor Co., Ltd.

CONTENTS

	Page	Address No.	
● Instruction for use of parts catalogue	1	B 1	1
● How to refer to the part information	2	B 2	
● Part catalogue structure	3	B 3	
● When the parts were revised.....	4	B 4	
● Abbreviations used in the parts catalogue.....	4	B 4	
● Part block and serial number check	5	B 5	
● Models, parts catalogue codes and applicable serial numbers	6	B 6	
● Color chart.....	7	B 7	
● Fuel hose, general purpose hoses and vinyl hose.....	31	C15	
● FLAT RATE SERVICE TIME	35	D 3	
● Illustrated index	41	D 9	
● ENGINE GROUP.....	51	F 1	2
● FRAME GROUP.....	82	H 1	3
● PART NO. INDEX.....	186	2-B 1	4
● PART NAME INDEX.....	193	2-C 1	5

How to refer to the part information

A Reference with "Illustrated index"

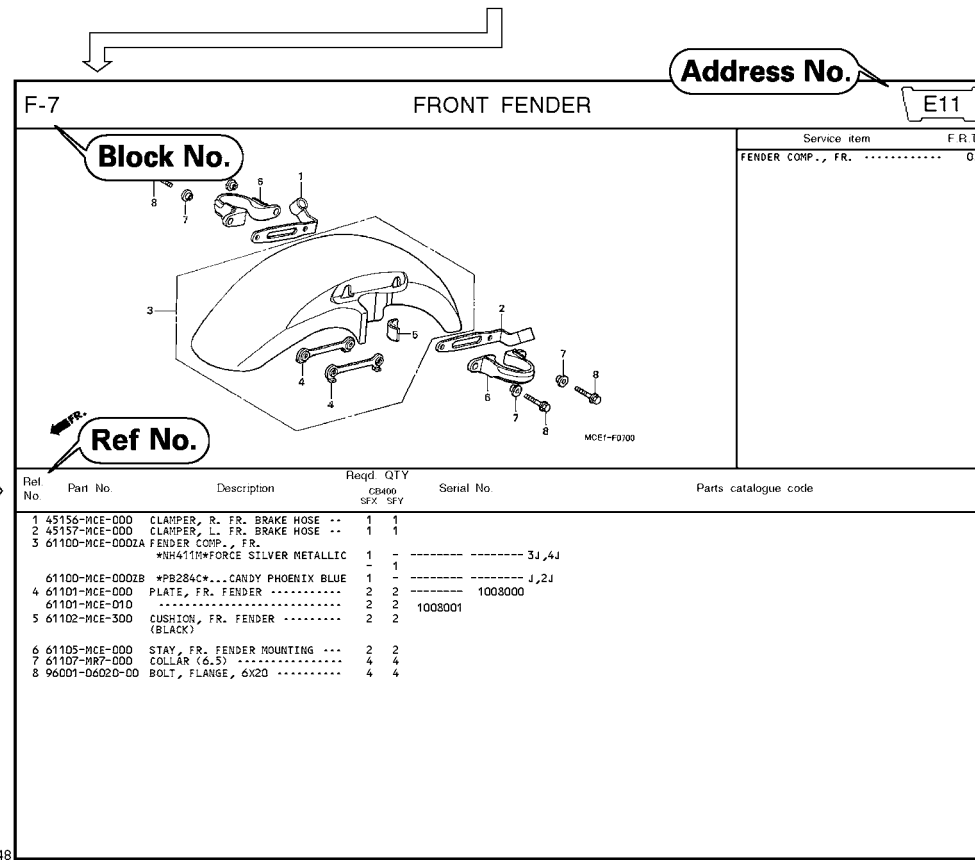


B Reference with "Part number index"

PART NO. INDEX					
Part Number	Address	Page	Rel.	Part Number	Address Page Rel.
04000				13323-MY9-751	C12 28 10 14921
04911-MCE-000	C10 26 1			13324-MY9-751	C12 28 10 14931
				13325-MY9-751	C12 28 10 14932
				13327-MY9-751	C12 28 10 14933
06000				14000	14934
06405-MY9-P00	F13 67 3			14100-MCE-000	B13 13 2 14935
06405-MY9-P10	F13 67 3			14200-MCE-000	B13 13 3 14936
06410-MY9-860	F2 56 1			14321-MCE-000	B16 16 2 14937
06435-MCE-006	F1 55 1			14401-MCE-003	B16 16 3 14938
06451-769-405	E13 51 2			14510-MBE-000	B16 16 4 14941
06451-443-405	F1 55 2			14520-MY9-691	B16 16 5 14942
06451-MA7-405	E13 51 1			14524-MY9-690	B16 16 6 14943
06455-MCE-006	E13 51 3			14546-MCE-000	B16 16 7 14944
				14620-MY9-691	B16 16 8 14945
11000				14711-MCE-000	B13 13 4 14946
11210-MCE-000	C9 25 1			14712-MCE-000	B13 13 5 14947
11330-MCE-305	C2 18 1			14721-MCE-000	B13 13 6 14948
11333-KT8-000	C6 22 1			14722-MCE-000	B13 13 7 14949
11335-MCE-000	C2 18 2			14730-MCE-000	B13 13 8 14950
11360-MCE-000	C7 23 1			14731-MCE-000	B13 13 9 14951
11365-MCE-000	C7 23 2			14731-MY9-751	B13 13 10 14952
11396-MY9-000	C2 18 3			14751-KY2-000	B13 13 11 14953
11631-MCE-000	C5 21 1			14751-MCE-000	B13 13 12 14954
11691-MY9-000	C5 21 2			14761-MCE-000	B13 13 13 14955

C Reference with "Part name index"

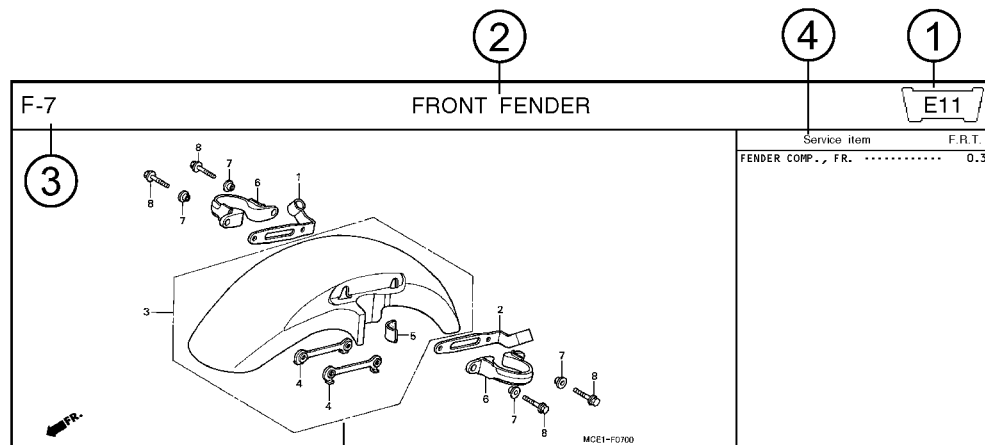
PART NAME INDEX					
Part name	Address	Page	Ref.	Part name	Address Page Ref.
[A]				BOLT , CHANG I	
ADJUSTER , CHAIN	F13 67 5			BOLT , CLUTC H	
ARM COMP. , SEA R CHANGE	F10 64 3			BOLT , CONNECT	
ARM , L. MAIN STEP	F11 65 8			BOLT , DISK , 6	
ARM , L. PILLI O STEP	F11 65 12			BOLT , DISK , 8	
ARM , R. MAIN STEP	F11 65 5			BOLT , DRAIN I	
ARM , R. PILLI O STEP	F11 65 11			BOLT , FLANG E	
AUT O DOC K ASSY. , FUEL	F4 58 2			BOLT , FLANG E	
AXLE , FR. WHEEL	E14 52 3			BOLT , FLANG E	
AXLE , RR. WHEEL	F2 56 3			BOLT , FLANG E	
[B]				BOLT , FLANG E	
BAG , AIR PRESSUR E GAUGE	67 77 4			BOLT , FLANG E	
BAG , SERVICE BOOK	67 77 1			BOLT , FLANG E	
BAG , TOOL	67 77 3			BOLT , FLANG E	
BALL , STEEL	F11 65 20			BOLT , FLANG E	
BAND A , INSULATOR	B11 11 11			BOLT , FLANG E	
BAND B , INSULATOR	B11 11 12			BOLT , FLANG E	
BAND , AIR CLEANER CONNECTING				BOLT , FLANG E	
BAND , U-LOCK	F8 62 22			BOLT , FLANG E	
BAND , WIRE	F16 70 3			BOLT , FLANG E	
	C10 26 14				
	E5 43 21				
	64 74 18				



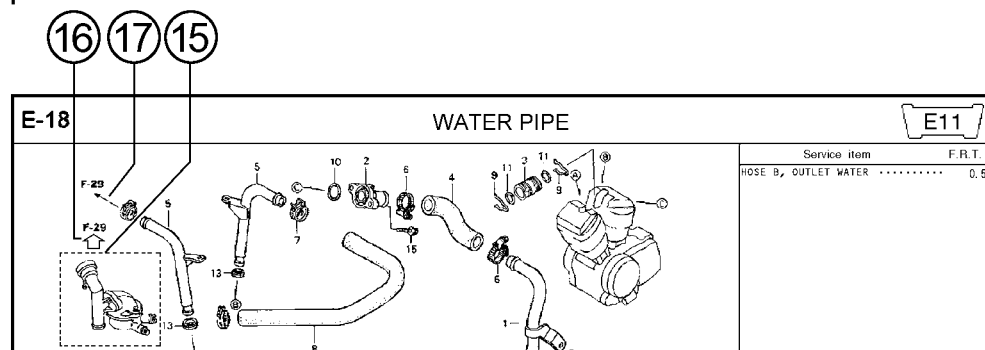
Page No.

2000.09.01 E

Part catalogue structure



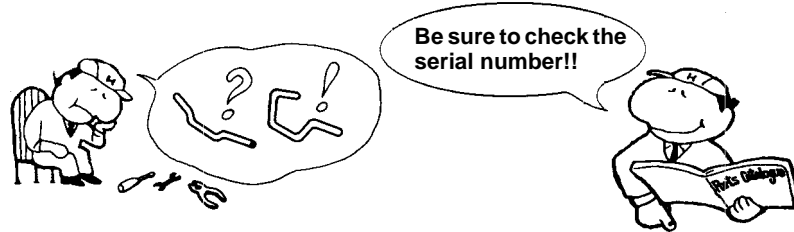
Ref. No.	Part No.	Description	Reqd. QTY		Serial No.	Parts catalogue code
			CB400 SFX	SFY		
1	45156-MCE-000	CLAMPER, R. FR. BRAKE HOSE ..	1	1		
2	45157-MCE-000	CLAMPER, L. FR. BRAKE HOSE ..	1	1		
3	61100-MCE-000ZA	FENDER COMP., FR. *NH411M*FORCE SILVER METALLIC	1	-	----- 3J,4J	
	61100-MCE-000ZB	*PB284C*...CANDY PHOENIX BLUE	1	-	----- J,2J	
4	61101-MCE-000	PLATE, FR. FENDER	2	2	1008000	
	61101-MCE-010	2	2	1008001	
5	61102-MCE-300	CUSHION, FR. FENDER	2	2		
		(BLACK)				



Ref. No.	Part No.	Description	Reqd. QTY		Serial No.	Parts catalogue code
			CB400 SFX	SFY		
		HOSE B, OUTLET WATER				0.5

- ① **Address number**
 - Address No. is provided (in place of the page No.) to help you refer to the part with the part No. or part name.
- ② **Block title** ③ **Block number**
- ④ **Service item/Flat rate time**
- ⑤ **Reference number**
 - Title number marked with the parenthesis or parentheses indicates that it continues from the previous page.
- ⑥ **Part number** ⑦ **Honda color code**
- ⑧ **Description**
- ⑨ **Assemblies**
 - Sections framed with broken lines in the exploded view drawings are available as complete assemblies. (Their individual parts can also be obtained.)
- ⑩ **Color description**
- ⑪ **Note**
 - Notes are shown with the parentheses in the part name column.
- ⑫ **Required quantity**
 - Reqd. QTY shown in the parenthesis or parentheses indicates the optional part.
 - Reqd. QTY marked with "N" indicates the optional part that should be selected as needed.
 - Reqd. QTY indicates the number of the part used in the block.
- ⑬ **Serial number**
- ⑭ **Parts catalogue code**
 - When the parts catalogue code column is blank, it indicates that the part is applicable to all codes.
- ⑮ **[Dotted line box]**
 - Parts enclosed within a dotted line [] are covered in a different block.
- ⑯ **[Hollow arrow]**
 - A hollow arrow [] indicates the block No. for the parts enclosed within a dotted line [] .
- ⑰ **[Solid arrow]**
 - A solid arrow [] indicates the block No. the part in question is connected to.

When the parts were revised



Ref. No.	Part No.	Description	Reqd. QTY		Serial No.
			CB400 SFX	SFY	
1	45156-MCE-000	CLAMPER, R. FR. BRAKE HOSE ..	1	1	
2	45157-MCE-000	CLAMPER, L. FR. BRAKE HOSE ..	1	1	
3	61100-MCE-000ZA	FENDER COMP., FR. *NH411M*FORCE SILVER METALLIC	1	-	-----3J,4J
	61100-MCE-000ZB	*PB284C*...CANDY PHOENIX BLUE	1	-	-----J,2J
4	61101-MCE-000	PLATE, FR. FENDER (###).....	2	2	-----1008000
	61101-MCE-010	2	2	-----1008001
5	61102-MCE-300	CUSHION, FR. FENDER (BLACK)	2	2	
6	61105-MCE-000	STAY, FR. FENDER MOUNTING ...	2	2	
7	61107-MR7-000	COLLAR (6.5)	4	4	
8	96001-06020-00	BOLT, FLANGE, 6X20	4	4	

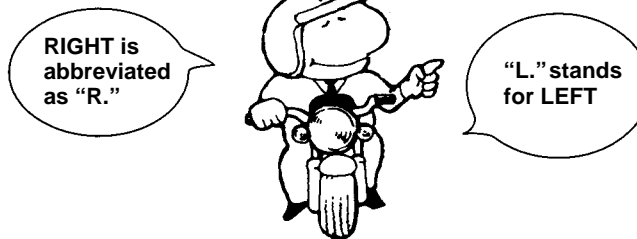
The number has been used from the initial model without revision.

When shown at the left side, it is applicable to the models of No.1008001 and the subsequent numbers.

When shown at the right side, it is applicable to the models up to No.1008000.

The parts listed with "###" at the end of the parts name have limited supply period (parts not for sale).

Abbreviations used in the parts catalogue

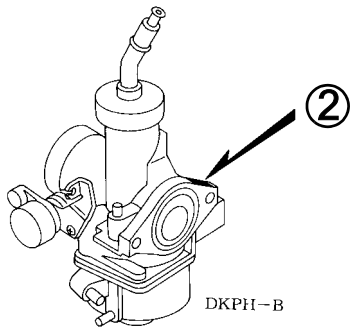
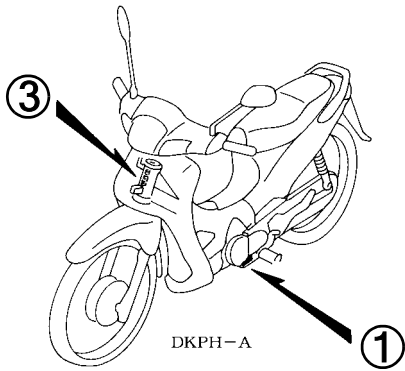
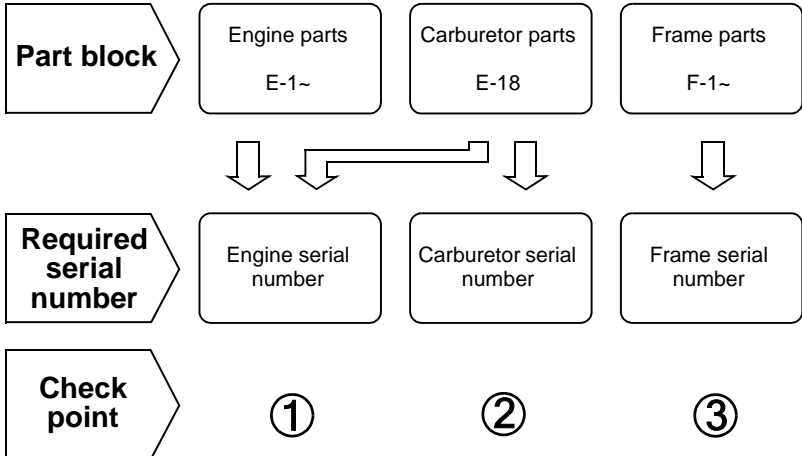


* "L." or "R." in the description of a part stands for the LEFT hand side or the RIGHT hand side. Determine the left or right as if you were in the motorcycle seat.

The following abbreviations are used in this parts catalogue.

- | | |
|---|----------------------------------|
| A Ampere | L.Left |
| ABS Anti-lock brake system | L (100L) .Link (100 Links) |
| A.C. Alternating current | L.E.D.Light emitted diode |
| A.M. Attaching mark | MMMillimeter |
| ASSY. Assembly | MPHMiles per hour |
| C.D.I. Capacitive discharge ignition | R.Right |
| COMP. ... Complete | RR.Rear |
| D.C. Direct current | STD.Standard |
| EX. Exhaust | T (22T) ...Tooth (22 Teeth) |
| FR. Front | TCSTraction control system |
| G Gram | T.M.Transcript mark |
| HEX. Hexagonal | VVolt |
| IN. Inlet | WWatt |
| KPH Kilometers per hour | WLWith labelling |
| | WOLWithout labelling |

Part block and serial number check



Models, parts catalogue codes and applicable serial numbers

Models, parts catalogue codes and applicable serial Nos. given in this parts catalogue can be identified as follows.

Parts with parts catalogue codes are exclusive for models destined for countries designated.

If no area codes are listed, parts are for common use.

Model	Area code	Type	Applicable engine serial No.	Applicable frame serial No.	Applicable carburetor identification No.
ANF125MR ₅	MA	Malaysia	NF125E-3000001~3999999	PMKANF125K3000001~3999999	APBF2D A
ANF125MRM ₅	MMA	Malaysia	NF125ME-3000001~3999999	PMKANF125M8000001~8999999	
ANF125MR ₇	MA	Malaysia	NF125E-7000001~7099999	PMKJC38B07K300001~7K399999	
ANF125MRM ₇	MMA	Malaysia	NF125ME-9000001~9099999	PMKJC38B07K800001~7K899999	
ANF125MR ₈	MA	Malaysia			
ANF125MRM ₈	MMA	Malaysia			
ANF125MR ₈	2MA	Malaysia	JC38E-4000001~4099999	PMKJC38609B000001~9B099999	APBF2H A
ANF125MR ₉	MA	Malaysia	JC38E-6000001~6099999	PMKJC38509B000001~9B099999	APBF2D A
ANF125MRM ₉	MMA	Malaysia	JC38E-5000001~5099999	PMKJC38409B000001~9B099999	
AFP125KCS _A	KCSMA	Malaysia	JC38E-6000001~	PMKJC3880AB000001~	APBF2H A
AFP125KS _A	KSMA	Malaysia	JC38E-6000001~	PMKJC3840AB000001~	
AFP125MCS _A	MCSMA	Malaysia	JC38E-7000001~	PMKJC3890AB000001~	

* Of carburetor/throttle body identification numbers, only the portions underlined in the example below are used for registration.

APBF2D A KC 7

Color chart

- When ordering a colored part, refer to the chart below and use a part number consisting of the relevant basic part number to which has been added a part color code.

ANF125MR (ANF125MR5)

No.	MODEL		ANF125MR5							
	COLOR		Candy lucid red R-264C	Candy lightning blue PB-325C	Mag tech gold metallic YR-159M	Kelly magenta metallic RP-166M	Applicable model		Applicable block No.	Ref.No.
	Name of colored parts	Basic part No.					Initial applicable model	Final applicable model		
1	CASE, UNDER HALF DRIVE CHAIN	40520-KPH-900	ZA	ZA	ZA	ZA			F-21	2
2	CASE, UPPER HALF DRIVE CHAIN	40510-KPH-900	ZA	ZA	ZA	ZA			F-21	1
3	COVER ASSY., HANDLE FR.	53200-KTM-880	ZC	ZA	ZD	ZB			F-5	13
4	COVER SET, FR. TOP	64300-KTM-880	ZC	ZA	ZD	ZB			F-30	3
5	COVER SET, L. BODY	64650-KTM-880	ZA	ZB	ZC	ZE			F-15	4
6	COVER SET, L. MAIN PIPE SIDE	64250-KTM-890	ZA	ZB	ZC	ZD			F-30	2
7	COVER SET, R. BODY	64600-KTM-880	ZA	ZB	ZC	ZE			F-15	3
8	COVER SET, R. MAIN PIPE SIDE	64200-KTM-890	ZA	ZB	ZC	ZD			F-30	1
9	COVER, TAIL	83510-KPH-900	ZM	ZM	ZM	YF			F-15	5
10	COVER, UNDER	64310-KPH-900	ZJ	ZJ	ZJ	YD			F-30	4
11	FENDER A, FR.	61100-KPH-900	ZY	ZK	YA	ZX			F-7	1
12	HUB SUB ASSY., FR.	44635-KPH-650	ZA	ZA	ZA	ZA			F-10	6
13	HUB SUB ASSY., RR.	42635-KPH-900	ZA	ZA	ZA	ZA			F-12	10
14	MARK, DRIVE CAUTION	87560-KW7-950	ZB	ZB	ZB	ZB			F-31	4
15	MARK, HONDA	87130-KTM-880	ZA	ZB	ZC	ZD			F-32	12
16	PANEL COMP., RR. BRAKE	43100-KPH-900	ZA	ZA	ZA	ZA			F-11	4
17	RAIL, RR. GRAB	84100-KPH-B00	ZA	ZA	ZA	ZA			F-14	10
18	SHIELD SET, L. LEG	64750-KTM-880	ZA	ZB	ZC	ZD			F-30	13
19	SHIELD SET, R. LEG	64700-KTM-880	ZA	ZB	ZC	ZD			F-30	12
20	STRIPE A, L. BODY COVER	87108-KTM-880	ZA	ZB	ZC	ZD			F-32	7
21	STRIPE A, R. BODY COVER	87106-KTM-880	ZA	ZB	ZC	ZD			F-32	5
22	STRIPE B, L. BODY COVER	87109-KTM-880	ZA	ZB	ZC	ZD			F-32	8
23	STRIPE B, R. BODY COVER	87107-KTM-880	ZA	ZB	ZC	ZD			F-32	6
24	STRIPE, L. LEG SHIELD	87103-KTM-880	ZA	ZB	ZC	ZD			F-32	3

ANF125MR (ANF125MR5)

No.	MODEL		ANF125MR5							
	COLOR		Candy lucid red	Candy lightning blue	Mag tech gold metallic	Kelly magenta metallic	Applicable model		Applicable block No.	Ref.No.
	Name of colored parts	Basic part No.	R-264C	PB-325C	YR-159M	RP-166M	Initial applicable model	Final applicable model		
25	STRIPE, L. MAIN PIPE COVER	87101-KTM-880	ZA	ZB	ZC	ZD			F-32	1
26	STRIPE, R. LEG SHIELD	87104-KTM-880	ZA	ZB	ZC	ZD			F-32	4
27	STRIPE, R. MAIN PIPE COVER	87102-KTM-880	ZA	ZB	ZC	ZD			F-32	2
28	SWINGARM SUB ASSY., RR.	52200-KPH-900	ZA	ZA	ZA	ZA			F-21	7
29	WHEEL SUB ASSY., FR.	44650-KTM-880	ZA	ZA	ZA	ZA			F-10	7
30	WHEEL SUB ASSY., RR.	42650-KPH-970	ZA	ZA	ZA	ZA			F-12	11

1

ANF125MRM (ANF125MRM5)

No.	MODEL		ANF125MRM5							Ref.No.
	COLOR		Candy lucid red R-264C	Candy lightning blue PB-325C	Mag tech gold metallic YR-159M	Kelly magenta metallic RP-166M	Applicable model		Applicable block No.	
	Name of colored parts	Basic part No.					Initial applicable model	Final applicable model		
1	CASE, UNDER HALF DRIVE CHAIN	40520-KPH-900	ZA	ZA	ZA	ZA			F-21	2
2	CASE, UPPER HALF DRIVE CHAIN	40510-KPH-900	ZA	ZA	ZA	ZA			F-21	1
3	COVER ASSY., HANDLE FR.	53200-KTM-880	ZC	ZA	ZD	ZB			F-5	13
4	COVER SET, FR. TOP	64300-KTM-880	ZC	ZA	ZD	ZB			F-30	3
5	COVER SET, L. BODY	64650-KTM-880	ZA	ZB	ZC	ZE			F-15	4
6	COVER SET, L. MAIN PIPE SIDE	64250-KTM-880	ZA	ZB	ZC	ZD			F-30	2
7	COVER SET, R. BODY	64600-KTM-880	ZA	ZB	ZC	ZE			F-15	3
8	COVER SET, R. MAIN PIPE SIDE	64200-KTM-880	ZA	ZB	ZC	ZD			F-30	1
9	COVER, TAIL	83510-KPH-900	ZM	ZM	ZM	YF			F-15	5
10	COVER, UNDER	64310-KPH-900	ZJ	ZJ	ZJ	YD			F-30	4
11	FENDER A, FR.	61100-KPH-900	ZY	ZK	YA	ZX			F-7	1
12	HUB SUB ASSY., FR.	44635-KPH-650	ZA	ZA	ZA	ZA			F-10	6
13	HUB SUB ASSY., RR.	42635-KPH-900	ZA	ZA	ZA	ZA			F-12	10
14	MARK, DRIVE CAUTION	87560-KW7-950	ZB	ZB	ZB	ZB			F-31	4
15	MARK, HONDA	87130-KTM-880	ZA	ZB	ZC	ZD			F-32	12
16	MARK, L. ELECTRIC STARTER	87111-KTM-880	ZA	ZB	ZC	ZD			F-32	10
17	MARK, R. ELECTRIC STARTER	87110-KTM-880	ZA	ZB	ZC	ZD			F-32	9
18	PANEL COMP., RR. BRAKE	43100-KPH-900	ZA	ZA	ZA	ZA			F-11	4
19	RAIL, RR. GRAB	84100-KPH-B00	ZA	ZA	ZA	ZA			F-14	10
20	SHIELD SET, L. LEG	64750-KTM-880	ZA	ZB	ZC	ZD			F-30	13
21	SHIELD SET, R. LEG	64700-KTM-880	ZA	ZB	ZC	ZD			F-30	12
22	STRIPE A, L. BODY COVER	87108-KTM-880	ZA	ZB	ZC	ZD			F-32	7
23	STRIPE A, R. BODY COVER	87106-KTM-880	ZA	ZB	ZC	ZD			F-32	5
24	STRIPE B, L. BODY COVER	87109-KTM-880	ZA	ZB	ZC	ZD			F-32	8
25	STRIPE B, R. BODY COVER	87107-KTM-880	ZA	ZB	ZC	ZD			F-32	6
26	STRIPE, L. LEG SHIELD	87103-KTM-880	ZA	ZB	ZC	ZD			F-32	3
27	STRIPE, L. MAIN PIPE COVER	87101-KTM-880	ZA	ZB	ZC	ZD			F-32	1
28	STRIPE, R. LEG SHIELD	87104-KTM-880	ZA	ZB	ZC	ZD			F-32	4
29	STRIPE, R. MAIN PIPE COVER	87102-KTM-880	ZA	ZB	ZC	ZD			F-32	2

ANF125MRM (ANF125MRM5)

No.	MODEL		ANF125MRM5							
	COLOR		Candy lucid red	Candy lightning blue	Mag tech gold metallic	Kelly magenta metallic	Applicable model		Applicable block No.	Ref.No.
	Name of colored parts	Basic part No.	R-264C	PB-325C	YR-159M	RP-166M	Initial applicable model	Final applicable model		
30	SWINGARM SUB ASSY., RR.	52200-KPH-900	ZA	ZA	ZA	ZA			F-21	7
31	WHEEL SUB ASSY., FR.	44650-KTM-880	ZA	ZA	ZA	ZA			F-10	7
32	WHEEL SUB ASSY., RR.	42650-KPH-970	ZA	ZA	ZA	ZA			F-12	11

1

ANF125MR (ANF125MR7)

No.	MODEL		ANF125MR7							Applicable block No.	Ref.No.
	COLOR		Euro grey metallic NH-284M	Nippic blue metallic B-196M	Cyber green metallic G-177M	Radiant red metallic R-218M	Applicable model				
	Name of colored parts	Basic part No.					Initial applicable model	Final applicable model			
1	CASE, UNDER HALF DRIVE CHAIN	40520-KPH-900	ZA	ZA	ZA	ZA			F-21	2	
2	CASE, UPPER HALF DRIVE CHAIN	40510-KPH-900	ZA	ZA	ZA	ZA			F-21	1	
3	COVER SET, HANDLE	53250-KVL-910	ZC	ZA	ZB	ZD			F-5-1	16	
4	COVER SET, L. BODY	64650-KVL-910	ZA	ZB	ZC	ZD			F-15-1	4	
5	COVER SET, L. MAIN PIPE SIDE	64250-KVL-920	ZA	ZB	ZC	ZD			F-30-1	4	
6	COVER SET, L. SIDE	64850-KVL-910	ZA	ZB	ZC	ZD			F-15-1	6	
7	COVER SET, R. BODY	64600-KVL-910	ZA	ZB	ZC	ZD			F-15-1	3	
8	COVER SET, R. MAIN PIPE SIDE	64200-KVL-920	ZA	ZB	ZC	ZD			F-30-1	2	
9	COVER SET, R. SIDE	64800-KVL-910	ZA	ZB	ZC	ZD			F-15-1	5	
10	COVER SET, TAIL	83600-KVL-910	ZC	ZA	ZB	ZD			F-15-1	7	
11	COVER, FR. TOP	64500-KPH-700	ZP	ZM	ZN	ZQ			F-30-1	12	
12	COVER, UNDER	64310-KPH-700	ZC	ZC	ZC	ZC			F-30-1	5	
13	FENDER A, FR.	61100-KPH-700	ZP	ZM	ZN	ZQ			F-7	1	
14	HUB SUB ASSY., FR.	44635-KPH-650	ZA	ZA	ZA	ZA			F-10	6	
15	HUB SUB ASSY., RR.	42635-KPH-900	ZA	ZA	ZA	ZA			F-12	10	
16	MARK, DRIVE CAUTION	87560-KW7-950	ZB	ZB	ZB	ZB			F-31	4	
17	MARK, HONDA	87120-KVL-910	ZB	ZB	ZA	ZB			F-32-1	11	
18	MARK, HONDA	87130-KVL-910	ZA	ZB	ZC	ZD			F-32-1	13	
19	MARK, HONDA	87140-KVL-910	ZB	ZB	ZA	ZB			F-32-1	14	
20	PANEL COMP., RR. BRAKE	43100-KPH-700	ZA	ZA	ZA	ZA			F-11-1	5	
21	RAIL, RR. GRAB	84100-KPH-700	ZA	ZA	ZA	ZA			F-14-1	10	
22	SHIELD SET, L. LEG	64750-KVL-910	ZA	ZA	ZA	ZA			F-30-1	15	
23	SHIELD SET, R. LEG	64700-KVL-910	ZA	ZA	ZA	ZA			F-30-1	14	
24	STRIPE A, L. MAIN PIPE SIDE	87104-KVL-910	ZA	ZB	ZC	ZD			F-32-1	4	
25	STRIPE A, R. MAIN PIPE SIDE	87103-KVL-910	ZA	ZB	ZC	ZD			F-32-1	3	
26	STRIPE B, L. MAIN PIPE SIDE	87106-KVL-910	ZA	ZB	ZC	ZD			F-32-1	6	
27	STRIPE B, R. MAIN PIPE SIDE	87105-KVL-910	ZA	ZB	ZC	ZD			F-32-1	5	
28	STRIPE, L. BODY COVER	87110-KVL-910	ZA	ZB	ZC	ZD			F-32-1	10	

ANF125MR (ANF125MR7)

No.	MODEL		ANF125MR7							Applicable block No.	Ref.No.
	COLOR		Euro grey metallic	Nippic blue metallic	Cyber green metallic	Radiant red metallic	Applicable model				
	Name of colored parts	Basic part No.	NH-284M	B-196M	G-177M	R-218M	Initial applicable model	Final applicable model			
29	STRIPE, L. LEG SHIELD	87102-KVL-910	ZA	ZA	ZA	ZA			F-32-1	2	
30	STRIPE, L. SIDE COVER	87108-KVL-910	ZA	ZB	ZC	ZD			F-32-1	8	
31	STRIPE, R. BODY COVER	87109-KVL-910	ZA	ZB	ZC	ZD			F-32-1	9	
32	STRIPE, R. LEG SHIELD	87101-KVL-910	ZA	ZA	ZA	ZA			F-32-1	1	
33	STRIPE, R. SIDE COVER	87107-KVL-910	ZA	ZB	ZC	ZD			F-32-1	7	
34	SWINGARM SUB ASSY., RR.	52200-KPH-700	ZA	ZA	ZA	ZA			F-21	7	
35	WHEEL SUB ASSY., FR.	44650-KTM-881	ZA	ZA	ZA	ZA			F-10	7	
36	WHEEL SUB ASSY., RR.	42650-KPH-970	ZA	ZA	ZA	ZA			F-12	11	

ANF125MRM (ANF125MRM7)

No.	MODEL		ANF125MRM7							Applicable block No.	Ref.No.
	COLOR		Euro grey metallic NH-284M	Nippic blue metallic B-196M	Cyber green metallic G-177M	Radiant red metallic R-218M	Applicable model				
	Name of colored parts	Basic part No.					Initial applicable model	Final applicable model			
1	CASE, UNDER HALF DRIVE CHAIN	40520-KPH-900	ZA	ZA	ZA	ZA			F-21	2	
2	CASE, UPPER HALF DRIVE CHAIN	40510-KPH-900	ZA	ZA	ZA	ZA			F-21	1	
3	COVER SET, HANDLE	53250-KVL-910	ZC	ZA	ZB	ZD			F-5-1	16	
4	COVER SET, L. BODY	64650-KVL-910	ZA	ZB	ZC	ZD			F-15-1	4	
5	COVER SET, L. MAIN PIPE SIDE	64250-KVL-910	ZA	ZB	ZC	ZD			F-30-1	3	
6	COVER SET, L. SIDE	64850-KVL-910	ZA	ZB	ZC	ZD			F-15-1	6	
7	COVER SET, R. BODY	64600-KVL-910	ZA	ZB	ZC	ZD			F-15-1	3	
8	COVER SET, R. MAIN PIPE SIDE	64200-KVL-910	ZA	ZB	ZC	ZD			F-30-1	1	
9	COVER SET, R. SIDE	64800-KVL-910	ZA	ZB	ZC	ZD			F-15-1	5	
10	COVER SET, TAIL	83600-KVL-910	ZC	ZA	ZB	ZD			F-15-1	7	
11	COVER, FR. TOP	64500-KPH-700	ZP	ZM	ZN	ZQ			F-30-1	12	
12	COVER, UNDER	64310-KPH-700	ZC	ZC	ZC	ZC			F-30-1	5	
13	FENDER A, FR.	61100-KPH-700	ZP	ZM	ZN	ZQ			F-7	1	
14	HUB SUB ASSY., FR.	44635-KPH-650	ZA	ZA	ZA	ZA			F-10	6	
15	HUB SUB ASSY., RR.	42635-KPH-900	ZA	ZA	ZA	ZA			F-12	10	
16	MARK, DRIVE CAUTION	87560-KW7-950	ZB	ZB	ZB	ZB			F-31	4	
17	MARK, ELECTRIC STARTER	87121-KVL-910	ZA	ZA	ZA	ZA			F-32-1	12	
18	MARK, HONDA	87120-KVL-910	ZB	ZB	ZA	ZB			F-32-1	11	
19	MARK, HONDA	87130-KVL-910	ZA	ZB	ZC	ZD			F-32-1	13	
20	MARK, HONDA	87140-KVL-910	ZB	ZB	ZA	ZB			F-32-1	14	
21	PANEL COMP., RR. BRAKE	43100-KPH-700	ZA	ZA	ZA	ZA			F-11-1	5	
22	RAIL, RR. GRAB	84100-KPH-700	ZA	ZA	ZA	ZA			F-14-1	10	
23	SHIELD SET, L. LEG	64750-KVL-910	ZA	ZA	ZA	ZA			F-30-1	15	
24	SHIELD SET, R. LEG	64700-KVL-910	ZA	ZA	ZA	ZA			F-30-1	14	
25	STRIPE A, L. MAIN PIPE SIDE	87104-KVL-910	ZA	ZB	ZC	ZD			F-32-1	4	
26	STRIPE A, R. MAIN PIPE SIDE	87103-KVL-910	ZA	ZB	ZC	ZD			F-32-1	3	
27	STRIPE B, L. MAIN PIPE SIDE	87106-KVL-910	ZA	ZB	ZC	ZD			F-32-1	6	
28	STRIPE B, R. MAIN PIPE SIDE	87105-KVL-910	ZA	ZB	ZC	ZD			F-32-1	5	

ANF125MRM (ANF125MRM7)

No.	MODEL		ANF125MRM7							
	COLOR		Euro grey metallic	Nippic blue metallic	Cyber green metallic	Radiant red metallic	Applicable model		Applicable block No.	Ref.No.
	Name of colored parts	Basic part No.	NH-284M	B-196M	G-177M	R-218M	Initial applicable model	Final applicable model		
29	STRIPE, L. BODY COVER	87110-KVL-910	ZA	ZB	ZC	ZD			F-32-1	10
30	STRIPE, L. LEG SHIELD	87102-KVL-910	ZA	ZA	ZA	ZA			F-32-1	2
31	STRIPE, L. SIDE COVER	87108-KVL-910	ZA	ZB	ZC	ZD			F-32-1	8
32	STRIPE, R. BODY COVER	87109-KVL-910	ZA	ZB	ZC	ZD			F-32-1	9
33	STRIPE, R. LEG SHIELD	87101-KVL-910	ZA	ZA	ZA	ZA			F-32-1	1
34	STRIPE, R. SIDE COVER	87107-KVL-910	ZA	ZB	ZC	ZD			F-32-1	7
35	SWINGARM SUB ASSY., RR.	52200-KPH-700	ZA	ZA	ZA	ZA			F-21	7
36	WHEEL SUB ASSY., FR.	44650-KTM-881	ZA	ZA	ZA	ZA			F-10	7
37	WHEEL SUB ASSY., RR.	42650-KPH-970	ZA	ZA	ZA	ZA			F-12	11

1

ANF125MR (ANF125MR8).....MA

No.	MODEL		ANF125MR8						
	COLOR		Pearl fadeless white NH-341P	Gayety red R-310	Black NH-1	Applicable model		Applicable block No.	Ref.No.
	Name of colored parts	Basic part No.				Initial applicable model	Final applicable model		
1	CASE, UNDER HALF DRIVE CHAIN	40520-KPH-900	ZA	ZA	ZA			F-21	2
2	CASE, UPPER HALF DRIVE CHAIN	40510-KPH-900	ZA	ZA	ZA			F-21	1
3	COVER SET, HANDLE	53250-KVL-910	ZG	ZH	ZJ			F-5-1	16
4	COVER SET, L. BODY	64650-KVL-M00	ZA	ZB	ZC			F-15-1	4
5	COVER SET, L. MAIN PIPE SIDE	64250-KVL-M10	ZA	ZB	ZC			F-30-1	4
6	COVER SET, L. SIDE	64850-KVL-M00	ZA	ZB	ZC			F-15-1	6
7	COVER SET, R. BODY	64600-KVL-M00	ZA	ZB	ZC			F-15-1	3
8	COVER SET, R. MAIN PIPE SIDE	64200-KVL-M10	ZA	ZB	ZC			F-30-1	2
9	COVER SET, R. SIDE	64800-KVL-M00	ZA	ZB	ZC			F-15-1	5
10	COVER SET, TAIL	83600-KVL-M00	ZA	ZB	ZC			F-15-1	7
11	COVER, FR. TOP	64500-KPH-700	ZV	ZL	ZW			F-30-1	12
12	COVER, UNDER	64310-KPH-700	ZN	ZN	YB			F-30-1	5
13	FENDER A, FR.	61100-KPH-700	ZV	ZL	ZW			F-7	1
14	HOLDER, L. PILLION STEP	50716-KVL-910	ZA	ZA	ZA			F-19	13
15	HOLDER, R. PILLION STEP	50715-KVL-910	ZA	ZA	ZA			F-19	12
16	HUB SUB ASSY., FR.	44635-KPH-650	ZA	ZA	ZA			F-10	6
17	HUB SUB ASSY., RR.	42635-KPH-900	ZA	ZA	ZA			F-12	10
18	MARK	87122-KVL-M00	ZA	ZA	ZA			F-32-2	13
19	MARK, DRIVE CAUTION	87560-KW7-950	ZB	ZB	ZB			F-31	4
20	MARK, HONDA	87120-KVL-910	ZA	ZB	ZB			F-32-2	11
21	MARK, HONDA	87130-KVL-M00	ZA	ZA	ZB			F-32-2	14
22	MARK, HONDA	87140-KVL-M00	ZA	ZB	ZB			F-32-2	15
23	PANEL COMP., RR. BRAKE	43100-KPH-700	ZA	ZA	ZA			F-11-1	5
24	RAIL, RR. GRAB	84100-KPH-700	ZA	ZA	ZA			F-14-1	10
25	SHIELD SET, L. LEG	64750-KVL-M00	ZA	ZB	ZC			F-30-1	15
26	SHIELD SET, R. LEG	64700-KVL-M00	ZA	ZB	ZC			F-30-1	14

ANF125MR (ANF125MR8).....MA

No.	MODEL		ANF125MR8						
	COLOR		Pearl fadeless white NH-341P	Gayety red R-310	Black NH-1	Applicable model		Applicable block No.	Ref.No.
	Name of colored parts	Basic part No.				Initial applicable model	Final applicable model		
27	STRIPE A, L. MAIN PIPE SIDE COVER	87104-KVL-M00	ZA	ZB	ZC			F-32-2	4
28	STRIPE A, R. MAIN PIPE SIDE COVER	87103-KVL-M00	ZA	ZB	ZC			F-32-2	3
29	STRIPE B, L. MAIN PIPE SIDE COVER	87106-KVL-M00	ZA	ZB	ZC			F-32-2	6
30	STRIPE B, R. MAIN PIPE SIDE COVER	87105-KVL-M00	ZA	ZB	ZC			F-32-2	5
31	STRIPE, L. BODY COVER	87110-KVL-M00	ZA	ZB	ZC			F-32-2	10
32	STRIPE, L. LEG SHIELD	87102-KVL-M00	ZA	ZB	ZC			F-32-2	2
33	STRIPE, L. SIDE COVER	87108-KVL-M00	ZA	ZB	ZC			F-32-2	8
34	STRIPE, R. BODY COVER	87109-KVL-M00	ZA	ZB	ZC			F-32-2	9
35	STRIPE, R. LEG SHIELD	87101-KVL-M00	ZA	ZB	ZC			F-32-2	1
36	STRIPE, R. SIDE COVER	87107-KVL-M00	ZA	ZB	ZC			F-32-2	7
37	SWINGARM SUB ASSY., RR.	52200-KPH-700	ZA	ZA	ZA			F-21	7
38	WHEEL SUB ASSY., FR.	44650-KTM-881	ZA	ZA	ZA			F-10	7
39	WHEEL SUB ASSY., RR.	42650-KPH-970	ZA	ZA	ZA			F-12	11

ANF125MRM (ANF125MRM8)

No.	MODEL		ANF125MRM8						
	COLOR		Pearl fadeless white NH-341P	Gayety red R-310	Black NH-1	Applicable model		Applicable block No.	Ref.No.
	Name of colored parts	Basic part No.				Initial applicable model	Final applicable model		
1	CASE, UNDER HALF DRIVE CHAIN	40520-KPH-900	ZA	ZA	ZA			F-21	2
2	CASE, UPPER HALF DRIVE CHAIN	40510-KPH-900	ZA	ZA	ZA			F-21	1
3	COVER SET, HANDLE	53250-KVL-910	ZG	ZH	ZJ			F-5-1	16
4	COVER SET, L. BODY	64650-KVL-M00	ZA	ZB	ZC			F-15-1	4
5	COVER SET, L. MAIN PIPE SIDE	64250-KVL-M00	ZA	ZB	ZC			F-30-1	3
6	COVER SET, L. SIDE	64850-KVL-M00	ZA	ZB	ZC			F-15-1	6
7	COVER SET, R. BODY	64600-KVL-M00	ZA	ZB	ZC			F-15-1	3
8	COVER SET, R. MAIN PIPE SIDE	64200-KVL-M00	ZA	ZB	ZC			F-30-1	1
9	COVER SET, R. SIDE	64800-KVL-M00	ZA	ZB	ZC			F-15-1	5
10	COVER SET, TAIL	83600-KVL-M00	ZA	ZB	ZC			F-15-1	7
11	COVER, FR. TOP	64500-KPH-700	ZV	ZL	ZW			F-30-1	12
12	COVER, UNDER	64310-KPH-700	ZN	ZN	YB			F-30-1	5
13	FENDER A, FR.	61100-KPH-700	ZV	ZL	ZW			F-7	1
14	HOLDER, L. PILLION STEP	50716-KVL-910	ZA	ZA	ZA			F-19	13
15	HOLDER, R. PILLION STEP	50715-KVL-910	ZA	ZA	ZA			F-19	12
16	HUB SUB ASSY., FR.	44635-KPH-650	ZA	ZA	ZA			F-10	6
17	HUB SUB ASSY., RR.	42635-KPH-900	ZA	ZA	ZA			F-12	10
18	MARK	87122-KVL-M00	ZA	ZA	ZA			F-32-2	13
19	MARK, DRIVE CAUTION	87560-KW7-950	ZB	ZB	ZB			F-31	4
20	MARK, ELECTRIC STARTER	87121-KVL-M00	ZA	ZA	ZA			F-32-2	12
21	MARK, HONDA	87120-KVL-910	ZA	ZB	ZB			F-32-2	11
22	MARK, HONDA	87130-KVL-M00	ZA	ZA	ZB			F-32-2	14
23	MARK, HONDA	87140-KVL-M00	ZA	ZB	ZB			F-32-2	15
24	PANEL COMP., RR. BRAKE	43100-KPH-700	ZA	ZA	ZA			F-11-1	5
25	RAIL, RR. GRAB	84100-KPH-700	ZA	ZA	ZA			F-14-1	10
26	SHIELD SET, L. LEG	64750-KVL-M00	ZA	ZB	ZC			F-30-1	15
27	SHIELD SET, R. LEG	64700-KVL-M00	ZA	ZB	ZC			F-30-1	14

ANF125MRM (ANF125MRM8)

No.	MODEL		ANF125MRM8						
	COLOR		Pearl fadeless white	Gayety red	Black	Applicable model		Applicable block No.	Ref.No.
	Name of colored parts	Basic part No.	NH-341P	R-310	NH-1	Initial applicable model	Final applicable model		
28	STRIPE A, L. MAIN PIPE SIDE COVER	87104-KVL-M00	ZA	ZB	ZC			F-32-2	4
29	STRIPE A, R. MAIN PIPE SIDE COVER	87103-KVL-M00	ZA	ZB	ZC			F-32-2	3
30	STRIPE B, L. MAIN PIPE SIDE COVER	87106-KVL-M00	ZA	ZB	ZC			F-32-2	6
31	STRIPE B, R. MAIN PIPE SIDE COVER	87105-KVL-M00	ZA	ZB	ZC			F-32-2	5
32	STRIPE, L. BODY COVER	87110-KVL-M00	ZA	ZB	ZC			F-32-2	10
33	STRIPE, L. LEG SHIELD	87102-KVL-M00	ZA	ZB	ZC			F-32-2	2
34	STRIPE, L. SIDE COVER	87108-KVL-M00	ZA	ZB	ZC			F-32-2	8
35	STRIPE, R. BODY COVER	87109-KVL-M00	ZA	ZB	ZC			F-32-2	9
36	STRIPE, R. LEG SHIELD	87101-KVL-M00	ZA	ZB	ZC			F-32-2	1
37	STRIPE, R. SIDE COVER	87107-KVL-M00	ZA	ZB	ZC			F-32-2	7
38	SWINGARM SUB ASSY., RR.	52200-KPH-700	ZA	ZA	ZA			F-21	7
39	WHEEL SUB ASSY., FR.	44650-KTM-881	ZA	ZA	ZA			F-10	7
40	WHEEL SUB ASSY., RR.	42650-KPH-970	ZA	ZA	ZA			F-12	11

ANF125MR (ANF125MR8).....2MA

No.	MODEL		ANF125MR8						
	COLOR		Vivacity red R-331	Vital blue metallic B-206M	Pearl fadeless white NH-341P	Applicable model		Applicable block No.	Ref.No.
	Name of colored parts	Basic part No.				Initial applicable model	Final applicable model		
1	COVER SET, FR. TOP	64300-KVL-M20	ZA	ZB	ZC			F-30-2	3
2	COVER SET, HANDLE FR.	53250-KVL-M20	ZA	ZB	ZC			F-5-2	11
3	COVER SET, L. BODY	64650-KVL-M20	ZA	ZB	ZC			F-15-2	4
4	COVER SET, L. MAIN PIPE SIDE	64250-KVL-M20	ZA	ZB	ZC			F-30-2	2
5	COVER SET, R. BODY	64600-KVL-M20	ZA	ZB	ZC			F-15-2	3
6	COVER SET, R. MAIN PIPE SIDE	64200-KVL-M20	ZA	ZB	ZC			F-30-2	1
7	COVER, TAIL	83510-KVR-600	ZR	ZR	ZR			F-15-2	5
8	FENDER A, FR.	61100-KVR-600	ZV	ZU	ZF			F-7	1
9	FENDER SET, RR.	80110-KVL-T20	ZA	ZA	ZA			F-23-1	1
10	HUB SUB ASSY., FR.	44635-KPH-650	ZA	ZA	ZA			F-10	6
11	HUB SUB ASSY., RR.	42635-KPH-900	ZA	ZA	ZA			F-12	10
12	LABEL, ENGINE STARTER	87513-KTL-M00	ZA	ZA	ZA			F-31	5
13	MARK, DRIVE CAUTION	87560-KW7-950	ZB	ZB	ZB			F-31	4
14	MARK, HONDA	87110-KVL-T20	ZA	ZA	ZA			F-32-3	11
15	MARK, HONDA	87120-KVL-T20	ZA	ZA	ZA			F-32-3	12
16	MARK, HONDA	87130-KVL-T20	ZB	ZA	ZB			F-32-3	13
17	PANEL COMP., RR. BRAKE	43100-KPH-700	ZA	ZA	ZA			F-11-1	5
18	SHIELD SET, L. LEG	64750-KVL-M20	ZA	ZB	ZC			F-30-2	8
19	SHIELD SET, R. LEG	64700-KVL-M20	ZA	ZB	ZC			F-30-2	7
20	STRIPE, L. BODY COVER	87108-KVL-M20	ZA	ZB	ZC			F-32-3	10
21	STRIPE, L. FR. HANDLE COVER	53209-KVL-M20	ZA	ZB	ZC			F-32-3	2
22	STRIPE, L. FR. TOP COVER	87101-KVL-M20	ZA	ZB	ZC			F-32-3	4
23	STRIPE, L. LEG SHIELD	87103-KVL-M20	ZA	ZB	ZC			F-32-3	6
24	STRIPE, L. MAIN PIPE COVER	87105-KVL-M20	ZA	ZB	ZC			F-32-3	8
25	STRIPE, R. BODY COVER	87106-KVL-M20	ZA	ZB	ZC			F-32-3	9
26	STRIPE, R. FR. HANDLE COVER	53208-KVL-M20	ZA	ZB	ZC			F-32-3	1

ANF125MR (ANF125MR8).....2MA

No.	MODEL		ANF125MR8						
	COLOR		Vivacity red	Vital blue metallic	Pearl fadeless white	Applicable model		Applicable block No.	Ref.No.
	Name of colored parts	Basic part No.	R-331	B-206M	NH-341P	Initial applicable model	Final applicable model		
27	STRIPE, R. FR. TOP COVER	87100-KVL-M20	ZA	ZB	ZC			F-32-3	3
28	STRIPE, R. LEG SHIELD	87102-KVL-M20	ZA	ZB	ZC			F-32-3	5
29	STRIPE, R. MAIN PIPE COVER	87104-KVL-M20	ZA	ZB	ZC			F-32-3	7
30	SWINGARM SET, RR.	52200-KVL-T00	ZA	ZA	ZA			F-21-1	6
31	WHEEL SUB ASSY., FR.	44650-KTM-881	ZA	ZA	ZA			F-10	7
32	WHEEL SUB ASSY., RR.	42650-KPH-970	ZA	ZA	ZA			F-12	11

ANF125MR (ANF125MR9)

No.	MODEL		ANF125MR9						
	COLOR		Pearl fadeless white NH-341P	Euphoria red metallic R-339M	Pearl magellanic black NH-A69P	Applicable model		Applicable block No.	Ref.No.
	Name of colored parts	Basic part No.				Initial applicable model	Final applicable model		
1	CASE, UNDER HALF DRIVE CHAIN	40520-KPH-900	ZA	ZA	ZA			F-21	2
2	CASE, UPPER HALF DRIVE CHAIN	40510-KPH-900	ZA	ZA	ZA			F-21	1
3	COVER SET, HANDLE	53250-KVL-910	ZG	ZM	ZL			F-5-1	16
4	COVER SET, L. BODY	64650-KVL-M30	ZA	ZD	ZC			F-15-1	4
5	COVER SET, L. MAIN PIPE SIDE	64250-KVL-M40	ZA	ZB	ZC			F-30-1	4
6	COVER SET, L. SIDE	64850-KVL-M30	ZA	ZB	ZC			F-15-1	6
7	COVER SET, R. BODY	64600-KVL-M30	ZA	ZD	ZC			F-15-1	3
8	COVER SET, R. MAIN PIPE SIDE	64200-KVL-M40	ZA	ZB	ZC			F-30-1	2
9	COVER SET, R. SIDE	64800-KVL-M30	ZA	ZB	ZC			F-15-1	5
10	COVER SET, TAIL	83600-KVL-M00	ZA	ZG	ZE			F-15-1	7
11	COVER, FR. TOP	64500-KPH-700	ZV	YB	YA			F-30-1	12
12	COVER, UNDER	64310-KPH-700	ZU	ZU	ZU			F-30-1	5
13	FENDER A, FR.	61100-KPH-700	ZV	YB	YA			F-7	1
14	HOLDER, L. PILLION STEP	50716-KVL-910	ZA	ZA	ZA			F-19	13
15	HOLDER, R. PILLION STEP	50715-KVL-910	ZA	ZA	ZA			F-19	12
16	HUB SUB ASSY., FR.	44635-KPH-650	ZA	ZA	ZA			F-10	6
17	HUB SUB ASSY., RR.	42635-KPH-900	ZA	ZA	ZA			F-12	10
18	MARK, DRIVE CAUTION	87560-KW7-950	ZB	ZB	ZB			F-31	4
19	MARK, HONDA	87120-KVL-910	ZA	ZB	ZB			F-32-4	11
20	MARK, HONDA	87130-KWY-750	ZA	ZA	ZA			F-32-4	13
21	MARK, HONDA	87140-KVL-M00	ZA	ZB	ZB			F-32-4	14
22	PANEL COMP., RR. BRAKE	43100-KPH-700	ZA	ZA	ZA			F-11-1	5
23	RAIL, RR. GRAB	84100-KPH-700	ZA	ZA	ZA			F-14-1	10
24	SHIELD SET, L. LEG	64750-KVL-M30	ZA	ZB	ZC			F-30-1	15
25	SHIELD SET, R. LEG	64700-KVL-M30	ZA	ZB	ZC			F-30-1	14

ANF125MR (ANF125MR9)

No.	MODEL		ANF125MR9						
	COLOR		Pearl fadeless white NH-341P	Euphoria red metallic R-339M	Pearl magellanic black NH-A69P	Applicable model		Applicable block No.	Ref.No.
	Name of colored parts	Basic part No.				Initial applicable model	Final applicable model		
26	STRIPE A, L. MAIN PIPE SIDE COVER	87104-KVL-M30	ZA	ZB	ZC			F-32-4	4
27	STRIPE A, R. MAIN PIPE SIDE COVER	87103-KVL-M30	ZA	ZB	ZC			F-32-4	3
28	STRIPE B, L. MAIN PIPE SIDE COVER	87106-KVL-M30	ZA	ZB	ZB			F-32-4	6
29	STRIPE B, R. MAIN PIPE SIDE COVER	87105-KVL-M30	ZA	ZB	ZB			F-32-4	5
30	STRIPE, L. BODY COVER	87110-KVL-M30	ZA	ZB	ZC			F-32-4	10
31	STRIPE, L. LEG SHIELD	87102-KVL-M30	ZA	ZB	ZC			F-32-4	2
32	STRIPE, L. SIDE COVER	87108-KVL-M30	ZA	ZB	ZC			F-32-4	8
33	STRIPE, R. BODY COVER	87109-KVL-M30	ZA	ZB	ZC			F-32-4	9
34	STRIPE, R. LEG SHIELD	87101-KVL-M30	ZA	ZB	ZC			F-32-4	1
35	STRIPE, R. SIDE COVER	87107-KVL-M30	ZA	ZB	ZC			F-32-4	7
36	SWINGARM SUB ASSY., RR.	52200-KPH-700	ZA	ZA	ZA			F-21	7
37	WHEEL SUB ASSY., FR.	44650-KTM-881	ZA	ZA	ZA			F-10	7
38	WHEEL SUB ASSY., RR.	42650-KPH-970	ZA	ZA	ZA			F-12	11

ANF125MRM (ANF125MRM9)

No.	MODEL		ANF125MRM9						
	COLOR		Pearl fadeless white NH-341P	Euphoria red metallic R-339M	Pearl magellanic black NH-A69P	Applicable model		Applicable block No.	Ref.No.
	Name of colored parts	Basic part No.				Initial applicable model	Final applicable model		
1	CASE, UNDER HALF DRIVE CHAIN	40520-KPH-900	ZA	ZA	ZA			F-21	2
2	CASE, UPPER HALF DRIVE CHAIN	40510-KPH-900	ZA	ZA	ZA			F-21	1
3	COVER SET, HANDLE	53250-KVL-910	ZG	ZM	ZL			F-5-1	16
4	COVER SET, L. BODY	64650-KVL-M30	ZA	ZD	ZC			F-15-1	4
5	COVER SET, L. MAIN PIPE SIDE	64250-KVL-M30	ZA	ZB	ZC			F-30-1	3
6	COVER SET, L. SIDE	64850-KVL-M30	ZA	ZB	ZC			F-15-1	6
7	COVER SET, R. BODY	64600-KVL-M30	ZA	ZD	ZC			F-15-1	3
8	COVER SET, R. MAIN PIPE SIDE	64200-KVL-M30	ZA	ZB	ZC			F-30-1	1
9	COVER SET, R. SIDE	64800-KVL-M30	ZA	ZB	ZC			F-15-1	5
10	COVER SET, TAIL	83600-KVL-M00	ZA	ZG	ZE			F-15-1	7
11	COVER, FR. TOP	64500-KPH-700	ZV	YB	YA			F-30-1	12
12	COVER, UNDER	64310-KPH-700	ZU	ZU	ZU			F-30-1	5
13	FENDER A, FR.	61100-KPH-700	ZV	YB	YA			F-7	1
14	HOLDER, L. PILLION STEP	50716-KVL-910	ZA	ZA	ZA			F-19	13
15	HOLDER, R. PILLION STEP	50715-KVL-910	ZA	ZA	ZA			F-19	12
16	HUB SUB ASSY., FR.	44635-KPH-650	ZA	ZA	ZA			F-10	6
17	HUB SUB ASSY., RR.	42635-KPH-900	ZA	ZA	ZA			F-12	10
18	MARK, DRIVE CAUTION	87560-KW7-950	ZB	ZB	ZB			F-31	4
19	MARK, ELECTRIC STARTER	87121-KVL-M00	ZA	ZA	ZA			F-32-4	12
20	MARK, HONDA	87120-KVL-910	ZA	ZB	ZB			F-32-4	11
21	MARK, HONDA	87130-KWY-750	ZA	ZA	ZA			F-32-4	13
22	MARK, HONDA	87140-KVL-M00	ZA	ZB	ZB			F-32-4	14
23	PANEL COMP., RR. BRAKE	43100-KPH-700	ZA	ZA	ZA			F-11-1	5
24	RAIL, RR. GRAB	84100-KPH-700	ZA	ZA	ZA			F-14-1	10
25	SHIELD SET, L. LEG	64750-KVL-M30	ZA	ZB	ZC			F-30-1	15
26	SHIELD SET, R. LEG	64700-KVL-M30	ZA	ZB	ZC			F-30-1	14

ANF125MRM (ANF125MRM9)

No.	MODEL		ANF125MRM9						
	COLOR		Pearl fadeless white NH-341P	Euphoria red metallic R-339M	Pearl magellanic black NH-A69P	Applicable model		Applicable block No.	Ref.No.
	Name of colored parts	Basic part No.				Initial applicable model	Final applicable model		
27	STRIPE A, L. MAIN PIPE SIDE COVER	87104-KVL-M30	ZA	ZB	ZC			F-32-4	4
28	STRIPE A, R. MAIN PIPE SIDE COVER	87103-KVL-M30	ZA	ZB	ZC			F-32-4	3
29	STRIPE B, L. MAIN PIPE SIDE COVER	87106-KVL-M30	ZA	ZB	ZB			F-32-4	6
30	STRIPE B, R. MAIN PIPE SIDE COVER	87105-KVL-M30	ZA	ZB	ZB			F-32-4	5
31	STRIPE, L. BODY COVER	87110-KVL-M30	ZA	ZB	ZC			F-32-4	10
32	STRIPE, L. LEG SHIELD	87102-KVL-M30	ZA	ZB	ZC			F-32-4	2
33	STRIPE, L. SIDE COVER	87108-KVL-M30	ZA	ZB	ZC			F-32-4	8
34	STRIPE, R. BODY COVER	87109-KVL-M30	ZA	ZB	ZC			F-32-4	9
35	STRIPE, R. LEG SHIELD	87101-KVL-M30	ZA	ZB	ZC			F-32-4	1
36	STRIPE, R. SIDE COVER	87107-KVL-M30	ZA	ZB	ZC			F-32-4	7
37	SWINGARM SUB ASSY., RR.	52200-KPH-700	ZA	ZA	ZA			F-21	7
38	WHEEL SUB ASSY., FR.	44650-KTM-881	ZA	ZA	ZA			F-10	7
39	WHEEL SUB ASSY., RR.	42650-KPH-970	ZA	ZA	ZA			F-12	11

AFP125KCS (AFP125KCSA)

No.	MODEL		AFP125KCSA						
	COLOR		Euphoria red metallic R-339M	Nitric orange YR-271	Pearl fadeless white NH-341P	Applicable model		Applicable block No.	Ref.No.
	Name of colored parts	Basic part No.				Initial applicable model	Final applicable model		
1	COVER SET, FR. TOP	64300-KYL-730	ZD	ZE	ZB			F-30-2	3
2	COVER SET, HANDLE FR.	53250-KYL-770	ZB	ZC	ZA			F-5-2	11
3	COVER SET, L. BODY	64650-KYL-750	ZA	ZB	ZC			F-15-2	4
4	COVER SET, L. MAIN PIPE SIDE	64250-KYL-730	ZB	ZB	ZB			F-30-2	2
5	COVER SET, R. BODY	64600-KYL-750	ZA	ZB	ZC			F-15-2	3
6	COVER SET, R. MAIN PIPE SIDE	64200-KYL-730	ZB	ZB	ZB			F-30-2	1
7	COVER, TAIL	83510-KVR-600	ZV	ZW	ZD			F-15-2	5
8	FENDER A, FR.	61100-KVR-600	ZX	ZY	ZF			F-7	1
9	FENDER SET, RR.	80110-KVL-T20	ZA	ZA	ZA			F-23-1	1
10	LABEL, ENGINE STARTER	87513-KTL-M00	ZA	ZA	ZA			F-31	5
11	MARK	86648-KYL-750	ZA	ZA	ZA			F-32-5	11
12	MARK	86649-KYL-730	ZA	ZB	ZA			F-32-5	12
13	MARK, DRIVE CAUTION	87560-KW7-950	ZB	ZB	ZB			F-31	4
14	MARK, HONDA	86531-KYL-730	ZB	ZB	ZB			F-32-5	1
15	MARK, HONDA	86641-KYL-730	ZB	ZB	ZB			F-32-5	4
16	MARK, HONDA	87110-KVL-T20	ZA	ZA	ZA			F-32-5	13
17	PANEL COMP., RR. BRAKE	43100-KPH-700	ZC	ZC	ZC			F-11-1	5
18	SHIELD SET, L. LEG	64750-KYL-730	ZD	ZE	ZF			F-30-2	8
19	SHIELD SET, R. LEG	64700-KYL-730	ZD	ZE	ZF			F-30-2	7
20	STRIPE, L. BODY COVER	86647-KYL-730	ZD	ZE	ZF			F-32-5	10
21	STRIPE, L. FR. TOP COVER	86643-KYL-730	ZD	ZE	ZC			F-32-5	6
22	STRIPE, L. LEG SHIELD	86645-KYL-730	ZD	ZE	ZF			F-32-5	8
23	STRIPE, R. BODY COVER	86646-KYL-730	ZD	ZE	ZF			F-32-5	9
24	STRIPE, R. FR. HANDLE COVER	86532-KYL-750	ZA	ZB	ZC			F-32-5	2
25	STRIPE, R. FR. HANDLE COVER	86533-KYL-750	ZA	ZB	ZC			F-32-5	3

AFP125KCS (AFP125KCSA)

No.	MODEL		AFP125KCSA						
	COLOR		Euphoria red metallic	Nitric orange	Pearl fadeless white	Applicable model		Applicable block No.	Ref.No.
	Name of colored parts	Basic part No.	R-339M	YR-271	NH-341P	Initial applicable model	Final applicable model		
26	STRIPE, R. FR. TOP COVER	86642-KYL-730	ZD	ZE	ZC			F-32-5	5
27	STRIPE, R. LEG SHIELD	86644-KYL-730	ZD	ZE	ZF			F-32-5	7
28	SWINGARM SET, RR.	52200-KVL-T00	ZB	ZB	ZB			F-21-1	6
29	WHEEL SUB ASSY., FR.	44650-KVR-V30	ZA	ZA	ZA			F-10-1	7
30	WHEEL SUB ASSY., RR.	42650-KWW-D10	ZA	ZA	ZA			F-12-1	11

AFP125KS (AFP125KSA)

No.	MODEL		AFP125KSA						
	COLOR		Vivacity red R-331	Vital blue metallic B-206M	Pearl fadeless white NH-341P	Applicable model		Applicable block No.	Ref.No.
	Name of colored parts	Basic part No.				Initial applicable model	Final applicable model		
1	COVER SET, FR. TOP	64300-KYL-730	ZC	ZA	ZB			F-30-2	3
2	COVER SET, HANDLE FR.	53250-KYL-730	ZA	ZA	ZA			F-5-2	11
3	COVER SET, L. BODY	64650-KYL-730	ZA	ZB	ZC			F-15-2	4
4	COVER SET, L. MAIN PIPE SIDE	64250-KYL-730	ZA	ZA	ZA			F-30-2	2
5	COVER SET, R. BODY	64600-KYL-730	ZA	ZB	ZC			F-15-2	3
6	COVER SET, R. MAIN PIPE SIDE	64200-KYL-730	ZA	ZA	ZA			F-30-2	1
7	COVER, TAIL	83510-KVR-600	ZU	ZT	ZD			F-15-2	5
8	FENDER A, FR.	61100-KVR-600	ZV	ZU	ZF			F-7	1
9	FENDER SET, RR.	80110-KVL-T20	ZA	ZA	ZA			F-23-1	1
10	HUB SUB ASSY., FR. WHEEL	44635-KYL-730	ZA	ZA	ZA			F-10	6
11	HUB SUB ASSY., RR.	42635-KYL-730	ZA	ZA	ZA			F-12	10
12	LABEL, ENGINE STARTER	87513-KTL-M00	ZA	ZA	ZA			F-31	5
13	MARK	86649-KYL-730	ZA	ZA	ZA			F-32-5	12
14	MARK, DRIVE CAUTION	87560-KW7-950	ZB	ZB	ZB			F-31	4
15	MARK, HONDA	86531-KYL-730	ZA	ZA	ZA			F-32-5	1
16	MARK, HONDA	86641-KYL-730	ZA	ZA	ZA			F-32-5	4
17	MARK, HONDA	87110-KVL-T20	ZA	ZA	ZA			F-32-5	13
18	PANEL COMP., RR. BRAKE	43100-KPH-700	ZA	ZA	ZA			F-11-1	5
19	SHIELD SET, L. LEG	64750-KYL-730	ZA	ZB	ZC			F-30-2	8
20	SHIELD SET, R. LEG	64700-KYL-730	ZA	ZB	ZC			F-30-2	7
21	STRIPE, L. BODY COVER	86647-KYL-730	ZA	ZB	ZC			F-32-5	10
22	STRIPE, L. FR. TOP COVER	86643-KYL-730	ZA	ZB	ZC			F-32-5	6
23	STRIPE, L. LEG SHIELD	86645-KYL-730	ZA	ZB	ZC			F-32-5	8
24	STRIPE, R. BODY COVER	86646-KYL-730	ZA	ZB	ZC			F-32-5	9
25	STRIPE, R. FR. TOP COVER	86642-KYL-730	ZA	ZB	ZC			F-32-5	5

AFP125KS (AFP125KSA)

No.	MODEL		AFP125KSA						
	COLOR		Vivacity red R-331	Vital blue metallic B-206M	Pearl fadeless white NH-341P	Applicable model		Applicable block No.	Ref.No.
	Name of colored parts	Basic part No.				Initial applicable model	Final applicable model		
26	STRIPE, R. LEG SHIELD	86644-KYL-730	ZA	ZB	ZC			F-32-5	7
27	SWINGARM SET, RR.	52200-KVL-T00	ZA	ZA	ZA			F-21-1	6
28	WHEEL SUB ASSY., FR.	44650-KYL-730	ZA	ZA	ZA			F-10	7
29	WHEEL SUB ASSY., RR.	42650-KYL-730	ZA	ZA	ZA			F-12	11

1

AFP125MCS (AFP125MCSA)

No.	MODEL		AFP125MCSA						
	COLOR		Euphoria red metallic R-339M	Nitric orange YR-271	Pearl fadeless white NH-341P	Applicable model		Applicable block No.	Ref.No.
	Name of colored parts	Basic part No.				Initial applicable model	Final applicable model		
1	COVER SET, FR. TOP	64300-KYL-770	ZB	ZC	ZA			F-30-2	3
2	COVER SET, HANDLE FR.	53250-KYL-770	ZB	ZC	ZA			F-5-2	11
3	COVER SET, L. BODY	64650-KYL-750	ZA	ZB	ZC			F-15-2	4
4	COVER SET, L. MAIN PIPE SIDE	64250-KYL-730	ZB	ZB	ZB			F-30-2	2
5	COVER SET, R. BODY	64600-KYL-750	ZA	ZB	ZC			F-15-2	3
6	COVER SET, R. MAIN PIPE SIDE	64200-KYL-730	ZB	ZB	ZB			F-30-2	1
7	COVER, TAIL	83510-KVR-600	ZV	ZW	ZD			F-15-2	5
8	FENDER A, FR.	61100-KVR-600	ZX	ZY	ZF			F-7	1
9	FENDER SET, RR.	80110-KVL-T20	ZA	ZA	ZA			F-23-1	1
10	LABEL, ENGINE STARTER	87513-KTL-M00	ZA	ZA	ZA			F-31	5
11	MARK	86648-KYL-750	ZA	ZA	ZA			F-32-5	11
12	MARK	86649-KYL-730	ZA	ZB	ZA			F-32-5	12
13	MARK, DRIVE CAUTION	87560-KW7-950	ZB	ZB	ZB			F-31	4
14	MARK, ELECTRIC STARTER	87111-KWY-770	ZA	ZA	ZA			F-32-5	14
15	MARK, HONDA	86531-KYL-730	ZB	ZB	ZB			F-32-5	1
16	MARK, HONDA	86641-KYL-730	ZB	ZB	ZB			F-32-5	4
17	MARK, HONDA	87110-KVL-T20	ZA	ZA	ZA			F-32-5	13
18	PANEL COMP., RR. BRAKE	43100-KPH-700	ZC	ZC	ZC			F-11-1	5
19	SHIELD SET, L. LEG	64750-KYL-730	ZD	ZE	ZF			F-30-2	8
20	SHIELD SET, R. LEG	64700-KYL-730	ZD	ZE	ZF			F-30-2	7
21	STRIPE, L. BODY COVER	86647-KYL-730	ZD	ZE	ZF			F-32-5	10
22	STRIPE, L. FR. TOP COVER	86643-KYL-730	ZD	ZE	ZC			F-32-5	6
23	STRIPE, L. LEG SHIELD	86645-KYL-730	ZD	ZE	ZF			F-32-5	8
24	STRIPE, R. BODY COVER	86646-KYL-730	ZD	ZE	ZF			F-32-5	9
25	STRIPE, R. FR. HANDLE COVER	86532-KYL-750	ZA	ZB	ZC			F-32-5	2
26	STRIPE, R. FR. HANDLE COVER	86533-KYL-750	ZA	ZB	ZC			F-32-5	3

AFP125MCS (AFP125MCSA)

No.	MODEL		AFP125MCSA						
	COLOR		Euphoria red metallic	Nitric orange	Pearl fadeless white	Applicable model		Applicable block No.	Ref.No.
	Name of colored parts	Basic part No.	R-339M	YR-271	NH-341P	Initial applicable model	Final applicable model		
27	STRIPE, R. FR. TOP COVER	86642-KYL-730	ZD	ZE	ZC			F-32-5	5
28	STRIPE, R. LEG SHIELD	86644-KYL-730	ZD	ZE	ZF			F-32-5	7
29	SWINGARM SET, RR.	52200-KVL-T00	ZB	ZB	ZB			F-21-1	6
30	WHEEL SUB ASSY., FR.	44650-KVR-V30	ZA	ZA	ZA			F-10-1	7
31	WHEEL SUB ASSY., RR.	42650-KWW-D10	ZA	ZA	ZA			F-12-1	11

Fuel hose, general purpose hoses and vinyl hose

- The standard part fuel hose, general purpose hose and vinyl hose may be substituted by the coiled bulk part.
- When ordering the standard part fuel hose, general purpose hose and vinyl hose use the bulk part number written in the parts catalogue in brackets () underneath the part name, or use the catalogue below.
(The bulk part standard length is 1 m, however, those displayed in the catalogue < > are available in 3 m and 8 m lengths.)
- When exchanging the hose, cut and use at the specified length as mentioned in the part name.
(For the method of cutting the bulk part, and method of filling out orders etc., please refer to the service manual and the instructions issued with the bulk part.)
- The list below is a catalogue of the standard part numbers and bulk part numbers. Note that those numbers are applicable to the listed replacement parts only.

Fuel hoses/Tubes			
Standard part No.	Bulk part No.	Bulk part	
		Inner diameter (mm)	Length (m)
95001-30xxx-2x	95001-30001-20M	3.0	1
95001-30xxx-3x	95001-30001-30M	3.0	1
95001-30xxx-4x	95001-30001-40M	3.0	1
95001-35xxx-2x	95001-35001-50M <95001-35003-50M>	3.5	1 3
95001-35xxx-3x	95001-35001-60M <95001-35003-60M>	3.5	1 3
95001-35xxx-4x	95001-35001-60M <95001-35003-60M>	3.5	1 3
95001-35xxx-5x	95001-35001-50M <95001-35003-50M>	3.5	1 3
95001-35xxx-6x	95001-35001-60M <95001-35003-60M>	3.5	1 3
95001-45xxx-2x	95001-45001-50M <95001-45003-50M>	4.5	1 3
95001-45xxx-3x	95001-45001-60M <95001-45003-60M> <95001-45008-60M>	4.5	1 3 8
95001-45xxx-4x	95001-45001-60M <95001-45003-60M> <95001-45008-60M>	4.5	1 3 8
95001-45xxx-5x	95001-45001-50M <95001-45003-50M>	4.5	1 3
95001-45xxx-6x	95001-45001-60M <95001-45003-60M> <95001-45008-60M>	4.5	1 3 8
95001-55xxx-2x	95001-55001-50M <95001-55003-50M> <95001-55008-50M>	5.5	1 3 8

Fuel hoses/Tubes			
Standard part No.	Bulk part No.	Bulk part	
		Inner diameter (mm)	Length (m)
95001-55xxx-3x	95001-55001-60M <95001-55003-60M> <95001-55008-60M>	5.5	1 3 8
95001-55xxx-4x	95001-55001-60M <95001-55003-60M> <95001-55008-60M>	5.5	1 3 8
95001-55xxx-5x	95001-55001-50M <95001-55003-50M> <95001-55008-50M>	5.5	1 3 8
95001-55xxx-6x	95001-55001-60M <95001-55003-60M> <95001-55008-60M>	5.5	1 3 8
95001-75xxx-2x	95001-75001-50M <95001-75003-50M>	7.5	1 3
95001-75xxx-3x	95001-75001-60M <95001-75003-60M> <95001-75008-60M>	7.5	1 3 8
95001-75xxx-4x	95001-75001-60M <95001-75003-60M> <95001-75008-60M>	7.5	1 3 8
95001-75xxx-5x	95001-75001-50M <95001-75003-50M>	7.5	1 3
95001-75xxx-6x	95001-75001-60M <95001-75003-60M> <95001-75008-60M>	7.5	1 3 8
95001-80xxx-2x	95001-80001-50M	8.0	1
95001-80xxx-3x	95001-80001-60M	8.0	1
95001-80xxx-4x	95001-80001-60M	8.0	1
95001-80xxx-5x	95001-80001-50M	8.0	1
95001-80xxx-6x	95001-80001-60M	8.0	1

Vinyl tube				
Standard part No.	Bulk part No.	Bulk part		
		Inner dia- meter (mm)	Outer dia-meter (mm)	Length (m)
95003-01xxx-3x	95003-01001-60M <95003-01003-60M>	2.9	6.8	1 3
95003-01xxx-60	95003-01001-60M <95003-01003-60M>	2.9	6.8	1 3
95003-03xxx-3x	95003-03001-60M <95003-03003-60M>	3.0	6.0	1 3
95003-03xxx-60	95003-03001-60M <95003-03003-60M>	3.0	6.0	1 3
95003-05xxx-3x	95003-05001-60M <95003-05003-60M> <95003-05008-60M>	3.5	6.5	1 3 8
95003-05xxx-60	95003-05001-60M <95003-05003-60M> <95003-05008-60M>	3.5	6.5	1 3 8
95003-07xxx-1x	95003-07001-10M <95003-07003-10M> <95003-07008-10M>	4.0	7.0	1 3 8
95003-07xxx-20	95003-07001-10M <95003-07003-10M> <95003-07008-10M>	4.0	7.0	1 3 8
95003-07xxx-3x	95003-07001-60M <95003-07003-60M> <95003-07008-60M>	4.0	7.0	1 3 8
95003-07xxx-60	95003-07001-60M <95003-07003-60M> <95003-07008-60M>	4.0	7.0	1 3 8
95003-07xxx-7x	95003-07001-70M <95003-07003-70M> <95003-07008-70M>	4.0	7.0	1 3 8
95003-08xxx-1x	95003-08001-10M <95003-08003-10M> <95003-08008-10M>	4.5	6.5	1 3 8
95003-09xxx-3x	95003-09001-60M <95003-09003-60M>	4.5	8.0	1 3
95003-09xxx-60	95003-09001-60M <95003-09003-60M>	4.5	8.0	1 3
95003-10xxx-1x	95003-10001-10M <95003-10003-10M>	5.0	8.0	1 3
95003-10xxx-20	95003-10001-10M <95003-10003-10M>	5.0	8.0	1 3
95003-10xxx-3x	95003-10001-60M <95003-10003-60M>	5.0	8.0	1 3
95003-10xxx-60	95003-10001-60M <95003-10003-60M>	5.0	8.0	1 3
95003-11xxx-3x	95003-11001-60M <95003-11003-60M> <95003-11008-60M>	5.0	9.0	1 3 8
95003-11xxx-60	95003-11001-60M <95003-11003-60M> <95003-11008-60M>	5.0	9.0	1 3 8
95003-12xxx-1x	95003-12001-10M <95003-12003-10M> <95003-12008-10M>	5.0	7.0	1 3 8
95003-12xxx-20	95003-12001-10M <95003-12003-10M> <95003-12008-10M>	5.0	7.0	1 3 8

Vinyl tube				
Standard part No.	Bulk part No.	Bulk part		
		Inner dia- meter (mm)	Outer dia-meter (mm)	Length (m)
95003-14xxx-1x	95003-14001-10M <95003-14003-10M>	6.0	9.0	1 3
95003-14xxx-20	95003-14001-10M <95003-14003-10M>	6.0	9.0	1 3
95003-14xxx-3x	95003-14001-60M <95003-14003-60M>	6.0	9.0	1 3
95003-17xxx-1x	95003-17001-10M <95003-17003-10M>	7.0	9.0	1 3
95003-19xxx-1x	95003-19001-10M <95003-19003-10M> <95003-19008-10M>	7.0	11.0	1 3 8
95003-19xxx-20	95003-19001-10M <95003-19003-10M> <95003-19008-10M>	7.0	11.0	1 3 8
95003-19xxx-3x	95003-19001-60M <95003-19003-60M> <95003-19008-60M>	7.0	11.0	1 3 8
95003-19xxx-60	95003-19001-60M <95003-19003-60M> <95003-19008-60M>	7.0	11.0	1 3 8
95003-21xxx-1x	95003-21001-10M <95003-21003-10M>	8.0	9.0	1 3
95003-21xxx-20	95003-21001-10M <95003-21003-10M>	8.0	9.0	1 3
95003-23xxx-1x	95003-23001-10M <95003-23003-10M>	8.0	12.0	1 3
95003-23xxx-20	95003-23001-10M <95003-23003-10M>	8.0	12.0	1 3
95003-23xxx-3x	95003-23001-60M <95003-23003-60M> <95003-23008-60M>	8.0	12.0	1 3 8
95003-23xxx-60	95003-23001-60M <95003-23003-60M> <95003-23008-60M>	8.0	12.0	1 3 8
95003-25xxx-1x	95003-25001-10M <95003-25003-10M>	9.0	11.0	1 3
95003-25xxx-20	95003-25001-10M <95003-25003-10M>	9.0	11.0	1 3
95003-25xxx-3x	95003-25001-60M <95003-25003-60M>	9.0	11.0	1 3
95003-25xxx-7x	95003-25001-70M <95003-25003-70M>	9.0	11.0	1 3
95003-27xxx-1x	95003-27001-10M <95003-27003-10M>	9.0	13.0	1 3
95003-27xxx-20	95003-27001-10M <95003-27003-10M>	9.0	13.0	1 3
95003-27xxx-3x	95003-27001-60M <95003-27003-60M>	9.0	13.0	1 3
95003-27xxx-60	95003-27001-60M <95003-27003-60M>	9.0	13.0	1 3
95003-33xxx-1x	95003-33001-10M <95003-33003-10M>	10.0	14.0	1 3
95003-33xxx-20	95003-33001-10M <95003-33003-10M>	10.0	14.0	1 3

Vinyl tube				
Standard part No.	Bulk part No.	Bulk part		
		Inner dia- meter (mm)	Outer dia-meter (mm)	Length (m)
95003-36xxx-1x	95003-36001-10M <95003-36003-10M> <95003-36008-10M>	11.0	13.0	1 3 8
95003-36xxx-20	95003-36001-10M <95003-36003-10M> <95003-36008-10M>	11.0	13.0	1 3 8
95003-37xxx-3x	95003-37001-60M <95003-37003-60M>	11.0	15.0	1 3
95003-37xxx-60	95003-37001-60M <95003-37003-60M>	11.0	15.0	1 3
95003-38xxx-1x	95003-38001-10M <95003-38003-10M>	12.0	13.0	1 3
95003-38xxx-20	95003-38001-10M <95003-38003-10M>	12.0	13.0	1 3
95003-39xxx-1x	95003-39001-10M <95003-39003-10M>	12.0	14.0	1 3
95003-39xxx-20	95003-39001-10M <95003-39003-10M>	12.0	14.0	1 3
95003-40xxx-20	95003-40001-10M <95003-40003-10M>	12.0	16.0	1 3
95003-40xxx-3x	95003-40001-60M <95003-40003-60M>	12.0	16.0	1 3
95003-40xxx-60	95003-40001-60M <95003-40003-60M>	12.0	16.0	1 3
95003-43xxx-1x	95003-43001-10M <95003-43003-10M> <95003-43008-10M>	13.0	15.0	1 3 8
95003-43xxx-20	95003-43001-10M <95003-43003-10M> <95003-43008-10M>	13.0	15.0	1 3 8
95003-45xxx-1x	95003-45001-10M <95003-45003-10M> <95003-45008-10M>	14.0	18.0	1 3 8
95003-45xxx-20	95003-45001-10M <95003-45003-10M> <95003-45008-10M>	14.0	18.0	1 3 8
95003-50xxx-1x	95003-50001-10M <95003-50003-10M>	16.0	19.0	1 3
95003-50xxx-20	95003-50001-10M <95003-50003-10M>	16.0	19.0	1 3
95003-50xxx-3x	95003-50001-60M <95003-50003-60M>	16.0	19.0	1 3
95003-55xxx-1x	95003-55001-10M <95003-55003-10M>	17.5	20.5	1 3
95003-55xxx-20	95003-55001-10M <95003-55003-10M>	17.5	20.5	1 3
95003-60xxx-1x	95003-60001-10M <95003-60003-10M>	22.0	27.0	1 3
95003-60xxx-20	95003-60001-10M <95003-60003-10M>	22.0	27.0	1 3
95003-60xxx-3x	95003-60001-60M <95003-60003-60M>	22.0	27.0	1 3
95003-60xxx-60	95003-60001-60M <95003-60003-60M>	22.0	27.0	1 3

General purpose hoses			
Standard part No.	Bulk part No.	Bulk part	
		Inner diameter (mm)	Length (m)
95005-11xxx-3x	95005-11001-30M	11.0	1
95005-11xxx-5x	95005-11001-50M	11.0	1
95005-12xxx-1x	95005-12001-10M <95005-12003-10M>	12.0	1 3
95005-12xxx-2x	95005-12001-20M	12.0	1
95005-12xxx-3x	95005-12001-30M	12.0	1
95005-12xxx-5x	95005-12001-50M	12.0	1
95005-14xxx-1x	95005-14001-10M	14.0	1
95005-14xxx-2x	95005-14001-20M <95005-14003-20M>	14.0	1 3
95005-14xxx-3x	95005-14001-30M	14.0	1
95005-14xxx-5x	95005-14001-50M	14.0	1
95005-17xxx-1x	95005-17001-10M	17.0	1
95005-17xxx-2x	95005-17001-20M	17.0	1
95005-17xxx-3x	95005-17001-30M	17.0	1
95005-17xxx-5x	95005-17001-50M	17.0	1
95005-30xxx-3x	95005-30001-30M	3.0	1
95005-30xxx-5x	95005-30001-50M	3.0	1
95005-35xxx-1x	95005-35001-10M <95005-35003-10M> <95005-35008-10M>	3.5	1 3 8
95005-35xxx-2x	95005-35001-20M	3.5	1
95005-35xxx-3x	95005-35001-30M	3.5	1
95005-35xxx-4x	95005-35001-10M <95005-35003-10M> <95005-35008-10M>	3.5	1 3 8
95005-35xxx-5x	95005-35001-50M	3.5	1
95005-45xxx-1x	95005-45001-10M <95005-45003-10M> <95005-45008-10M>	4.5	1 3 8
95005-45xxx-2x	95005-45001-20M	4.5	1
95005-45xxx-3x	95005-45001-30M	4.5	1

General purpose hoses			
Standard part No.	Bulk part No.	Bulk part	
		Inner diameter (mm)	Length (m)
95005-45xxx-4x	95005-45001-10M <95005-45003-10M> <95005-45008-10M>	4.5	1 3 8
95005-45xxx-5x	95005-45001-50M	4.5	1
95005-50xxx-3x	95005-50001-30M <95005-50003-30M>	5.0	1 3
95005-50xxx-5x	95005-50001-50M	5.0	1
95005-55xxx-1x	95005-55001-10M <95005-55003-10M> <95005-55008-10M>	5.3	1 3 8
95005-55xxx-2x	95005-55001-20M <95005-55003-20M>	5.3	1 3
95005-55xxx-4x	95005-55001-10M <95005-55003-10M> <95005-55008-10M>	5.3	1 3 8
95005-65xxx-1x	95005-65001-10M <95005-65003-10M>	6.5	1 3
95005-65xxx-2x	95005-65001-20M	6.5	1
95005-70xxx-3x	95005-70001-30M <95005-70003-30M>	7.0	1 3
95005-70xxx-5x	95005-70001-50M	7.0	1
95005-75xxx-1x	95005-75001-10M <95005-75003-10M>	7.3	1 3
95005-75xxx-2x	95005-75001-20M	7.3	1
95005-80xxx-1x	95005-80001-10M <95005-80003-10M>	8.0	1 3
95005-80xxx-2x	95005-80001-20M	8.0	1
95005-80xxx-3x	95005-80001-30M	8.0	1
95005-80xxx-5x	95005-80001-50M	8.0	1
95005-91xxx-3x	95005-91001-30M	12.0	1
95005-91xxx-5x	95005-91001-50M	12.0	1
95005-92xxx-3x	95005-92001-30M	12.0	1
95005-92xxx-5x	95005-92001-50M	12.0	1

NOTE: X is displayed to represent the omitted numerals and letters of the roman alphabet.

⊙ **CAUTION: It is DANGEROUS to confuse the fuel hose with the general purpose hose or vinyl hose.**

Never use a general purpose hose or vinyl hose in place of a fuel hose or vice versa. Always use the correct bulk part in the parts catalogue, according to the service manual or the instructions issued with the bulk part.

• Bulk part number of fuel hose, general purpose hose and vinyl hose.

(Example)

95001-75001-50M

Bulk part number: Refers to the bulk part.

Marking code (hose type): (fuel hose and general purpose hose)

Change code (for added hose): (Vinyl hose)

- Indicates number mark or change sequence, however, the code for the bulk part must be strictly 0 (zero).

Types of code:

- Fuel hose
 - 2: Red outside braid (3 mm inside dia. only)
 - 5: Black inside braid
 - 3: Red (3 mm inside dia. only)
 - 4: Ash gray with red stripe (3 mm inside dia. only)
 - 6: Black
- Vinyl hose
 - 1: Clear
 - 2: Black
 - 3: Light red
 - 6: Light red
 - 7: Pale black
- General hose
 - 1: Ash gray
 - 2: Ash gray
 - 3: Black
 - 5: Black

Lengths: 001: 1 m (standard)
003: 3 m
008: 8 m

I.D code: (fuel hose and general purpose hose)

- 30: 3.0 mm
- 35: 3.5 mm
- 45: 4.5 mm
- 50: 5.0 mm
- 55: 5.3 mm, 5.5 mm
- 65: 6.5 mm
- 70: 7.0 mm
- 75: 7.3 mm, 7.5 mm
- 80: 8.0 mm
- 11: 11 mm
- 91: 12 mm (outside dia. 15) mm
- 92: 12 mm (outside dia. 16) mm
- 12: 12 mm (outside dia. 17) mm
- 14: 14 mm
- 17: 17 mm

ID./OD. code: (vinyl hose)

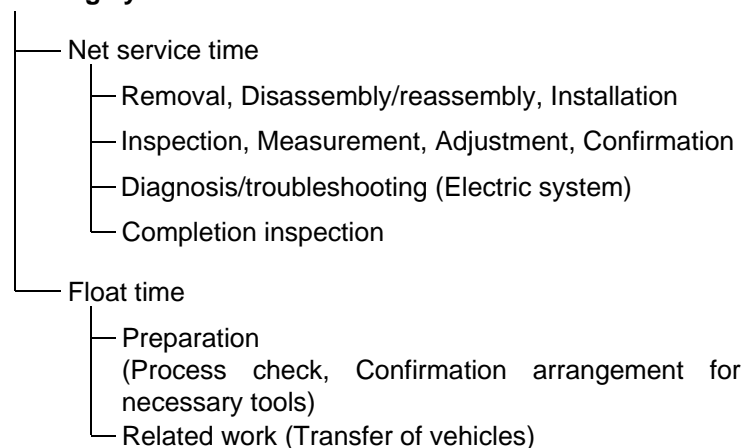
- 01: ID. 2.9, OD. 6.8 mm
- 03: ID. 3.0, OD. 6.0 mm
- 05: ID. 3.5, OD. 6.5 mm
- 07: ID. 4.0, OD. 7.0 mm
- 08: ID. 4.5, OD. 6.5 mm
- 09: ID. 4.5, OD. 8.0 mm
- 12: ID. 5.0, OD. 7.0 mm
- 10: ID. 5.0, OD. 8.0 mm
- 11: ID. 5.0, OD. 9.0 mm
- 14: ID. 6.0, OD. 9.0 mm
- 17: ID. 7.0, OD. 9.0 mm
- 19: ID. 7.0, OD. 11.0 mm
- 21: ID. 8.0, OD. 9.0 mm
- 23: ID. 8.0, OD. 12.0 mm
- 25: ID. 9.0, OD. 11.0 mm
- 27: ID. 9.0, OD. 13.0 mm
- 33: ID. 10.0, OD. 14.0 mm
- 36: ID. 11.0, OD. 13.0 mm
- 37: ID. 11.0, OD. 15.0 mm
- 38: ID. 12.0, OD. 13.0 mm
- 39: ID. 12.0, OD. 14.0 mm
- 40: ID. 12.0, OD. 16.0 mm
- 43: ID. 13.0, OD. 15.0 mm
- 45: ID. 14.0, OD. 18.0 mm
- 50: ID. 16.0, OD. 19.0 mm
- 55: ID. 17.5, OD. 20.5 mm
- 60: ID. 22.0, OD. 27.0 mm

Hose type: 1: Fuel hose
3: Vinyl hose
5: General hose

FLAT RATE SERVICE TIME

Flat rate service time (FRT) means the standard time required to service a MC, which is listed in this manual to help the dealers control the actual working process and calculate the service charge by using it as a guide.

FRT setting system



* Float time is set by multiplying the net service time by a given coefficient.

Editorial style

The service items shown in the text are listed with the exchange work time for the repair sales parts as the subject. Other representative service items not using repair parts (removal/installation, adjustment, inspection/measuring, and other work) are listed collectively in the list in the preface, classified according to the work.

FRT setting standard

- Decimal system (in unit of 0.1) is adopted to set FRT as it is convenient to calculate the wage.
Example: (0.1) → 6 minutes, (0.2) → 12 minutes
[Labor cost per hour] x [FRT] = [Wage]
- FRT is set with a hand tool.
- Service items and FRT can be subject to change depending on development of tools and service equipment and improvement in service procedure.

Work procedure

- As the work procedure is set with the work time according to the method in the separate Service Manual, refer to this Manual as required.
- Work methods permitting servicing in the shortest time still permitting assurance of safe work and product warranty are used for the setting of service items not listed in the Service Manual.
- Work basically is to be performed by one person, and when two or more people are required, setting is done as the total time for the number of people.
- The set value for the technological level of the workers uses a person with three years of experience in the repair of Honda vehicles as the standard.
- Special tools and service equipment used to set FRT are those specified or recommended in Service Manual.

Service item whose FRT is not presented

- Accessories and service parts that are not listed to use in this manual.
- Locations with little aging deterioration or breakage during normal use.
- Service work that can be finished by one touch.
- Service work that is seldom done (i.e. extremely small causes of trouble and service frequency).

* When FRT is not presented, please calculate wages based on appropriate actual work time

Operation not included of FRT

- Oil and coolant water draining, Waiting time for warming up operation and etc..
- Additional operation that involves removal/installation of standard exterior equipment.
- Indirect time spent for service by visiting the customer, trade-in, and delivery of a MC.
- Indirect time required for ordering and delivery of parts.
- Cost for grease, adhesive agent, etc. used for service work.

**Explanation of FRT by using an example
(The example may differ from the actual presented items)**

Ref. No.	L.O.N.	(Relative ref. Number) Description	F.R.T.
②	111118	(1, 3, 4, 7) CAMSHAFT 4.5	②
③	111118A	⑥ • Includes: Valve clearance adjustment Replace rocker arm add 1.0	⑤

- ① Reference No. of the illustration of part that shows location of the replacement work.
- ② FRT is an abbreviation of Flat Rate Time indicating the standard service time required for the replacement.
- ③ LON is an abbreviation of Labor Operation Number, and it is a classification of the service items by the work unit code.

The same operation code is used regardless of the models.

Standard operation is indicated with 6 digits code, and additional operation is indicated with 7 digits code.

- ④ Indicating the camshaft replacement and FRT4.5.
- ⑤ Indicating FRT1.0 that will be added when additional operation (replace rocker arm) is done in association with camshaft replacement.

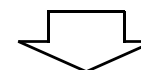
⑥ Indicating work contents that are included in the service item.

⑦ Indicating a reference No. whose operation and time are the same as FRT4.5 for the camshaft.

(The application range is limited to the service items without an LON setting within a same block.)

**How to refer to the service item by using the sample
(camshaft replacement)**

Open to the page of the block where the camshaft's spare part illustration is shown.



Look for the camshaft illustration, and refer to the service item and FRT that agree with the reference No.

Indication mark for the listing of service items that continues to the following page

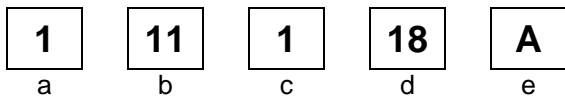
Ref. No.	L.O.N.	(Relative ref. Number) Description	F.R.T.
2	111118	CAMSHAFT	4.5
	.	.	.
	.	.	.
+			

Mark indicated at the last line.

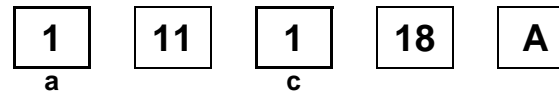
Indication of the block with no setting of FRT

Ref. No.	L.O.N.	(Relative ref. Number) Description	F.R.T.
NO INFORMATION			

• LON code system



- a) Category code..... Engine
- b) Location/function code Engine upper
- c) Operation code..... Replace
- d) Operation sequence number (Unit code can be shown with alphabet)
 - camshaft
 - (No regular rule of code)
- e) Additional code replace rocker arm
- (No regular rule of code)



a) Category codes and classification

Code	Category
1	Engine
2	Transmission
3	Fuel & Exhaust
4	Frame & Body
5	Steering/Suspension
6	Electrical
7	Wheels/Brakes
8	Controls/instrument
9	-
0	-

c) Operation codes and classification

Code	Operation category
1	Replace, Removal/Installation, Change
2	Overhaul
3	Adjust, Balance
4	(Paint-related work: Top-coat)
5	Test, Inspect/diagnose, Measurement, Check
6	(Overhaul-related work: Rebore)
7	(Overhaul-related work: Reseal)
8	(Resurface)
9	(Paint-related work: Refinish)
0	Repair, Cleaning, Air bleeding

Major service items without using spare parts

(1) Removal/Installation, (2) Adjustment,
(3) Inspection/Masurement, (4) Overhaul, (5) Other work

E: Engine, F: Frame

* OPERATIONS OTHER THAN REPLACING PARTS

(1) Removal and installation

Set for the configuration with the parts removed from the vehicle.

	LON	DESCRIPTION	FRT
E	1101E5	TILTING ENGINE ASSEMBLY-REMOVAL/INSTALLATION INCLUDES: All necessary adjustment	1.5
	1101E5M	'07 model add	0.2
	1101Q0	TILTING ENGINE ASSEMBLY-REMOVAL/INSTALLATION(A) INCLUDES: All necessary adjustment NOTE: '08- model	1.4
	1111K0	CYLINDER HEAD ASSEMBLY-REMOVAL/INSTALLATION	1.1
	1111K0L	'07 model add	0.1
	1111BU	CYLINDER HEAD ASSEMBLY-REMOVAL/INSTALLATION(A) NOTE: '08- model	1.0
	3111D6	CARBURETOR ASSEMBLY-REMOVAL/INSTALLATION	0.4
	3111D6C	'07 model add	0.1
	3111Q5	CARBURETOR ASSEMBLY-REMOVAL/INSTALLATION(A) NOTE: '08- model	0.3
	1101E6	CRANKCASE SEPARATION INCLUDES: Engine removal and installation	3.9
	1101E6N	'07 model add	0.2
	1101Q1	CRANKCASE SEPARATION(A) INCLUDES: Engine removal and installation NOTE: '08- model	3.8

(2) Adjustment

	LON	DESCRIPTION	FRT
E	3113A0	CARBURETOR IDLE-ADJUSTMENT	0.1
	2123A0	CLUTCH-ADJUSTMENT	0.1
	6143A1	SPARK PLUG-ADJUSTMENT/CLEANING	0.1
	1113A0	VALVE CLEARANCE-ADJUSTMENT	0.3
F	6163A0	HEADLIGHT-AIMING	0.1
	2133A0	DRIVE CHAIN-ADJUSTMENT	0.1
	7113A1	REAR BRAKE-ADJUSTMENT EXCLUDES: Rear brake shoe adjustment	0.1
	3113A3	THROTTLE OPERATION-ADJUSTMENT	0.1

(3) Inspection, Measurement

	LON	DESCRIPTION	FRT
E	1115A0	COMPRESSION PRESSURE-MEASUREMENT	0.1
	3115A0	CARBURETOR FLOAT LEVEL-MEASUREMENT	0.6
	3115A0C	'07 model add	0.1
	3115A1	CARBURETOR FLOAT LEVEL-MEASUREMENT(A) NOTE: '08- model	0.5
	6145A0	IGNITION TIMING-INSPECTION	0.2
	1135A0	ENGINE OIL-INSPECTION EXCLUDES: Oil change	0.1
	F	7115A0	BRAKE OPERATION-TEST
6105A0		BATTERY-CHECKING OF ELECTROLYTE LEVEL & CHARGE	0.2

(4) Overhaul

Work condition: The required Measurements, inspections, adjustments, and cleaning/washing of each part are performed, including the main body removal/installation work and the replacement of defective parts.

	LON	DESCRIPTION	FRT
E	311200	CARBURETOR-OVERHAUL INCLUDES: All necessary adjustment	0.8
	311200D	'07 model add	0.1
	3112A1	CARBURETOR-OVERHAUL(A) INCLUDES: All necessary adjustment NOTE: '08- model	0.7

(5) Other work

	LON	DESCRIPTION	FRT
E	1130A1	OIL FILTER SCREEN-CLEANING	0.6
F	3120A0	CLEANER ELEMENT-CLEANING	0.3
	3120A3	CLEANER ELEMENT-CLEANING(A) NOTE: '07 model	0.4
	3120A4	CLEANER ELEMENT-CLEANING(B) NOTE: '08- model	0.2
	7110A0	FRONT BRAKE-AIR BLEEDING	0.2

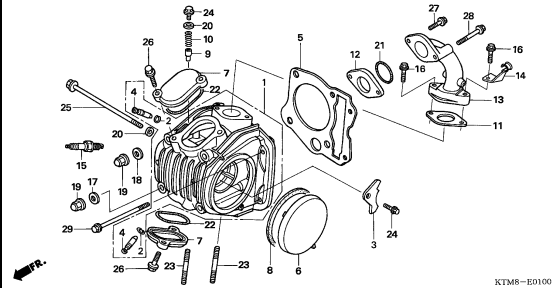
ENGINE GROUP

D 9

E-1

CYLINDER HEAD

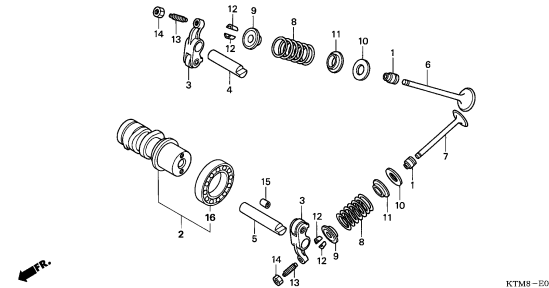
F 1



E-2

CAMSHAFT/VALVE

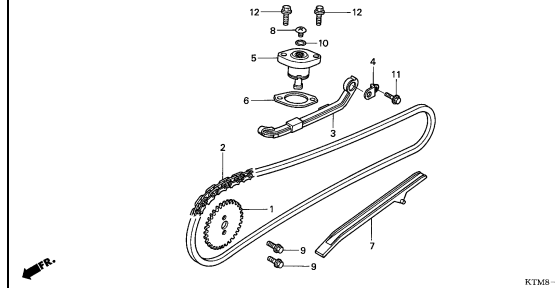
F 4



E-3

CAM CHAIN/TENSIONER

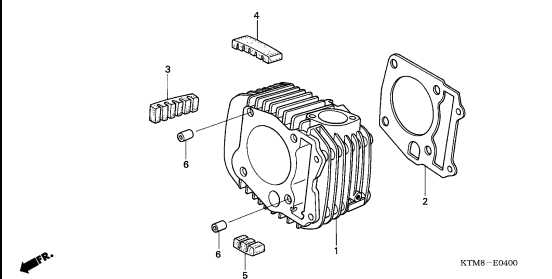
F 7



E-4

CYLINDER

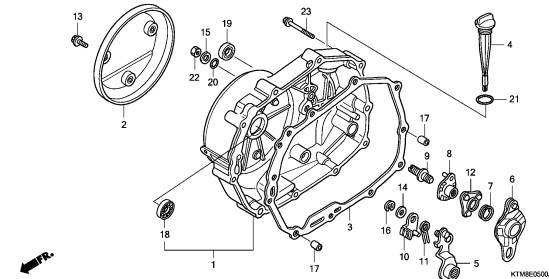
F 8



E-5

RIGHT CRANKCASE COVER

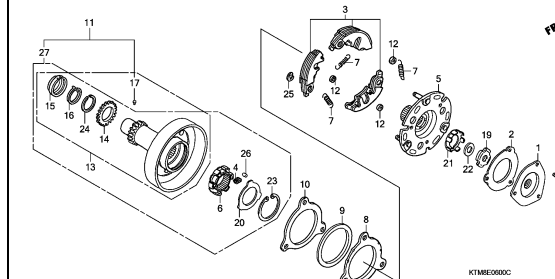
F 9



E-6

ONE WAY CLUTCH

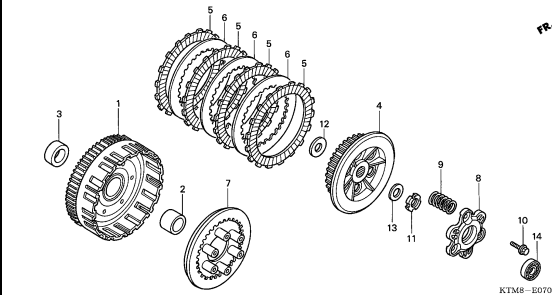
F 11



E-7

CLUTCH

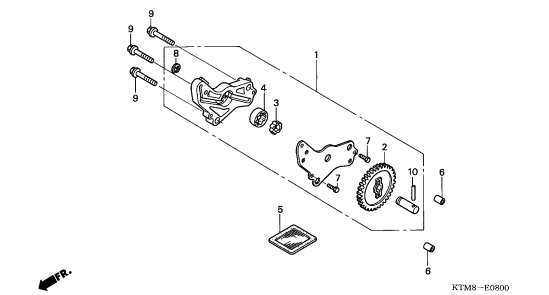
F 13



E-8

OIL PUMP

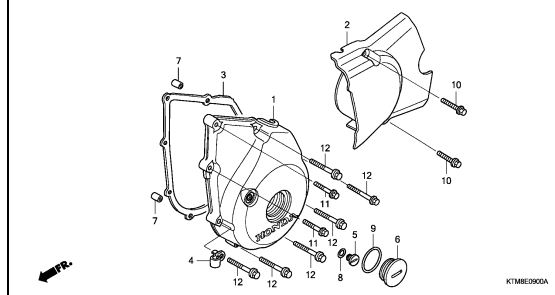
F 14



E-9

LEFT CRANKCASE COVER

F 15



2

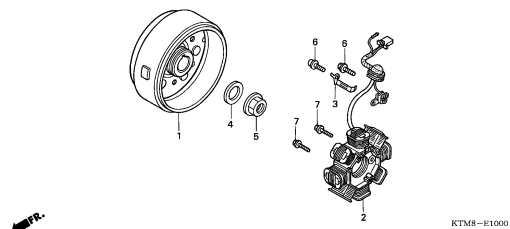
ENGINE GROUP

D10

E-10

GENERATOR

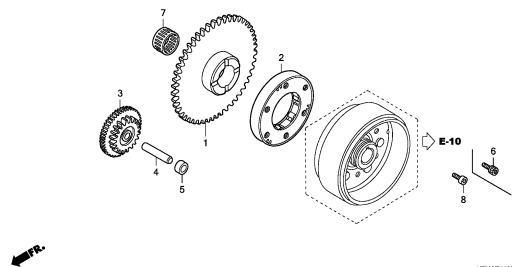
F16



E-11

STARTING CLUTCH

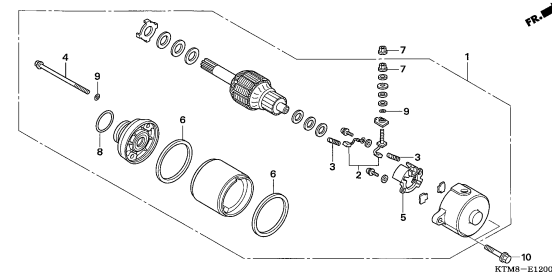
G 1



E-12

STARTING MOTOR

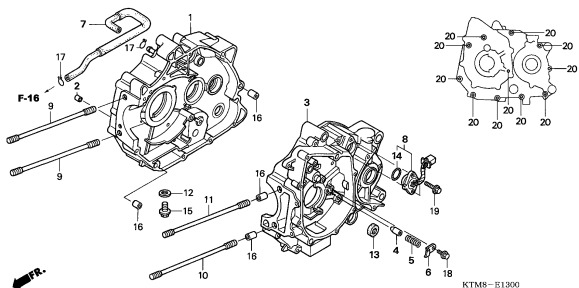
G 2



E-13

CRANKCASE

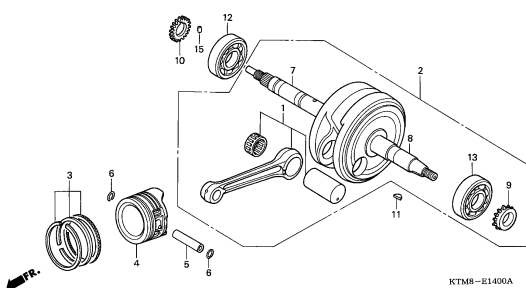
G 3



E-14

CRANKSHAFT/PISTON

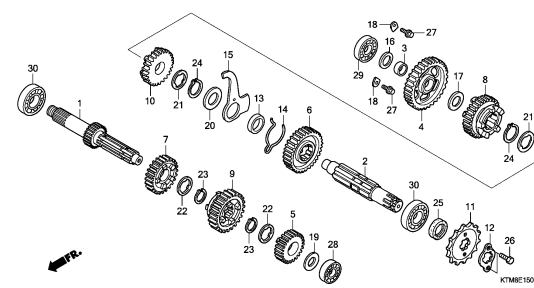
G 5



E-15

TRANSMISSION

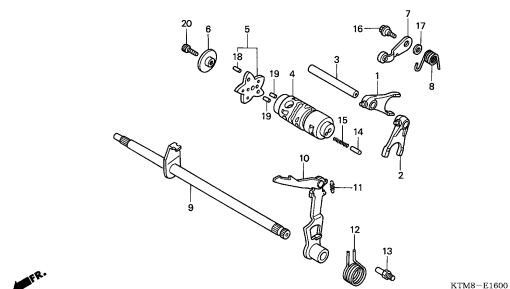
G 7



E-16

GEARSHIFT DRUM

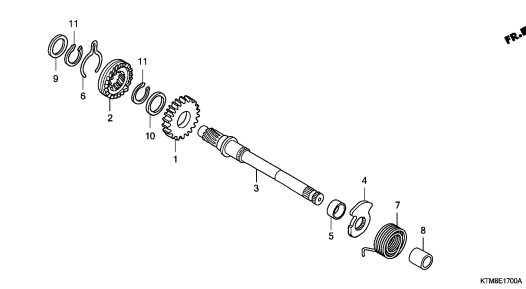
G11



E-17

KICK STARTER SPINDLE

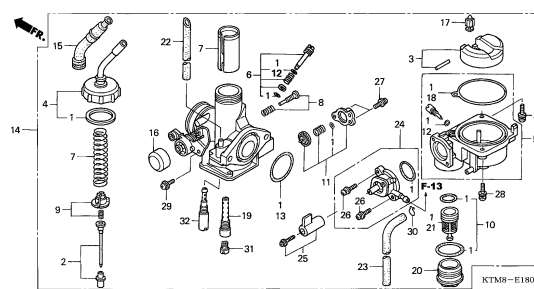
G13



E-18

CARBURETOR

G14



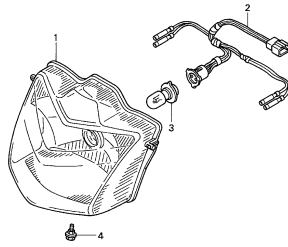
FRAME GROUP

D11

F-1

HEADLIGHT(1)

H 1

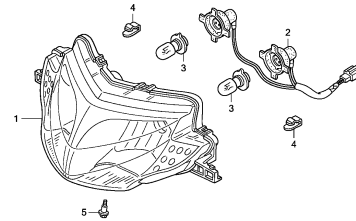


KTMB-F0100

F-1-1

HEADLIGHT(2)

H 2

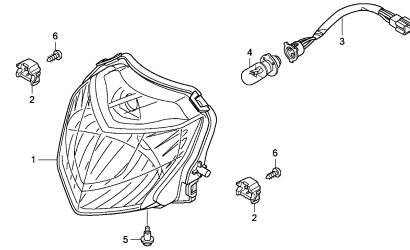


KTMBF0101

F-1-2

HEADLIGHT(3)

H 3

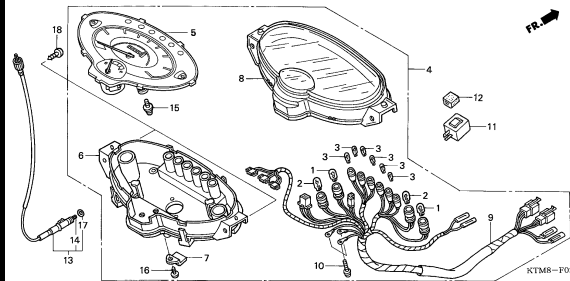


KTMBF0102

F-2

METER(1)

H 4

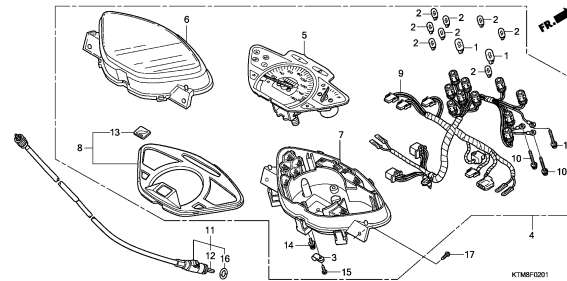


KTMB-F0200

F-2-1

METER(2)

H 5

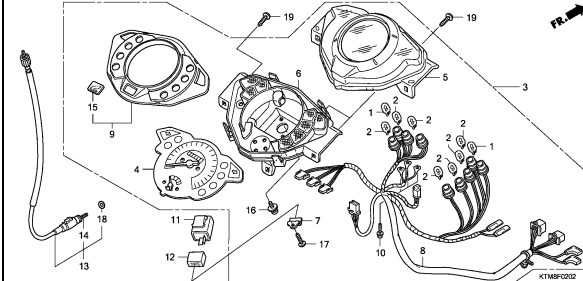


KTMBF0201

F-2-2

METER(3)

H 7

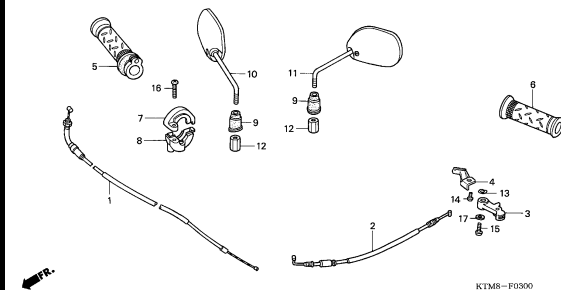


KTMBF0202

F-3

CABLE/MIRROR

H 9

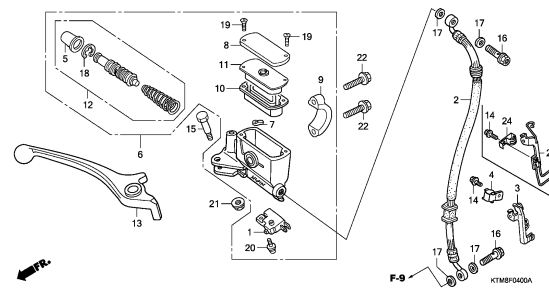


KTMB-F0300

F-4

FR. BRAKE MASTER CYLINDER

H10

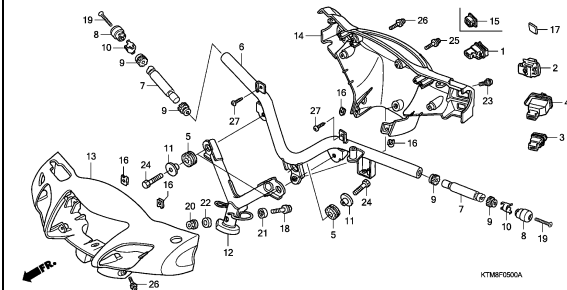


KTMBF0400A

F-5

HANDLE PIPE/HANDLE COVER/SWITCH(1)

H12



KTMBF0500A

3

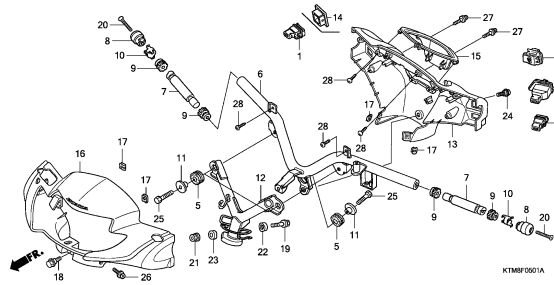
FRAME GROUP

D12

F-5-1

H14

HANDLE PIPE/HANDLE COVER/SWITCH(2)

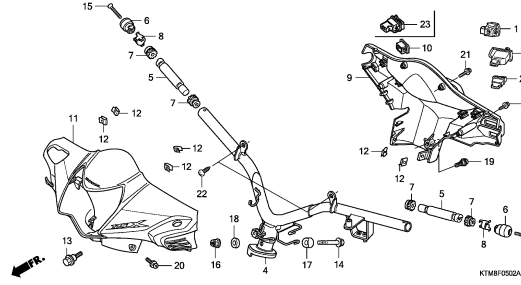


KTMBF0501A

F-5-2

I 1

HANDLE PIPE/HANDLE COVER/SWITCH(3)

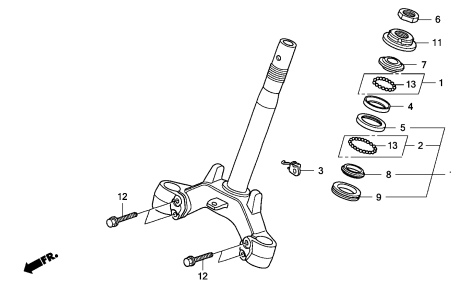


KTMBF0502A

F-6

I 3

STEERING STEM

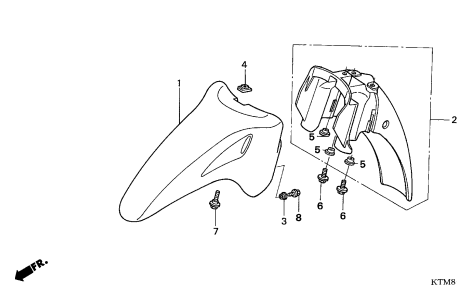


KTMBF0600A

F-7

I 5

FRONT FENDER

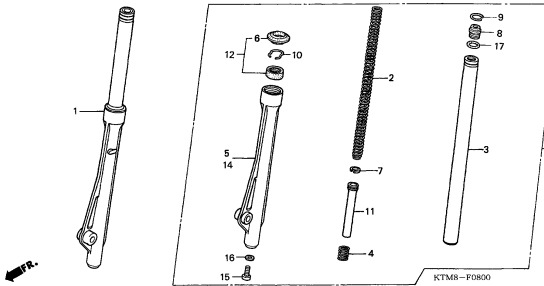


KTMB-F0700

F-8

I 7

FRONT FORK

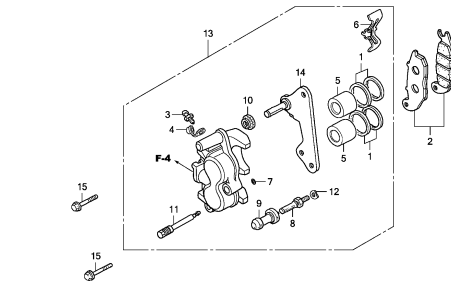


KTMB-F0800

F-9

I 8

FRONT BRAKE CALIPER

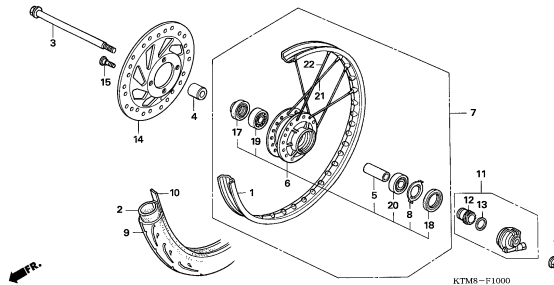


KTMBF0900A

F-10

I 9

FRONT WHEEL(1)

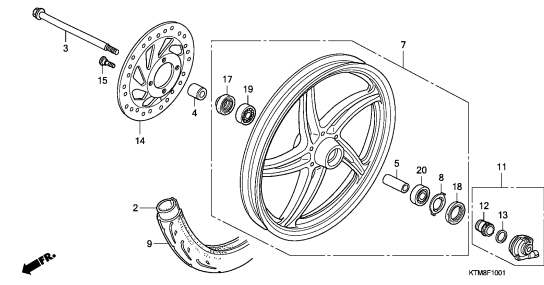


KTMB-F1000

F-10-1

I 11

FRONT WHEEL(2)

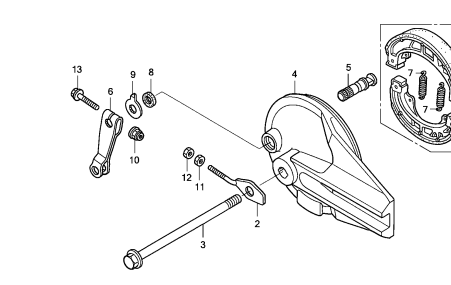


KTMBF1001

F-11

I 12

REAR BRAKE PANEL(1)



KTMBF1100A

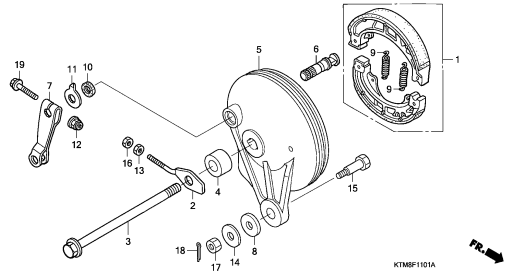
FRAME GROUP

D13

F-11-1

REAR BRAKE PANEL(2)

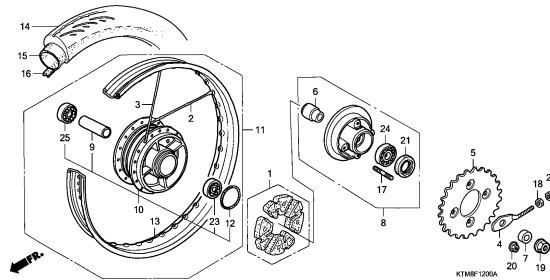
I13



F-12

REAR WHEEL(1)

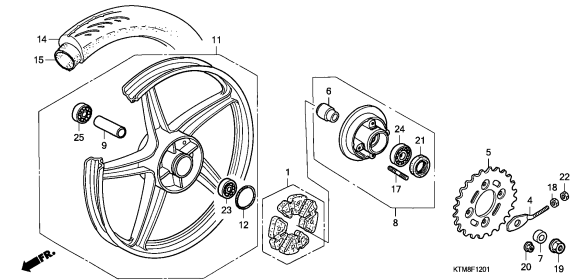
I14



F-12-1

REAR WHEEL(2)

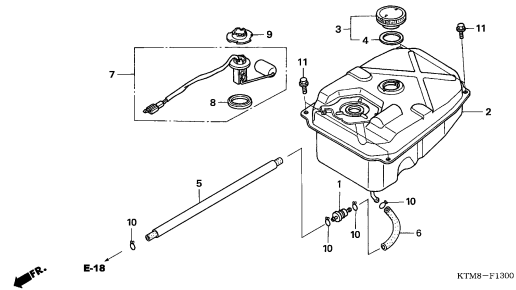
J 1



F-13

FUEL TANK

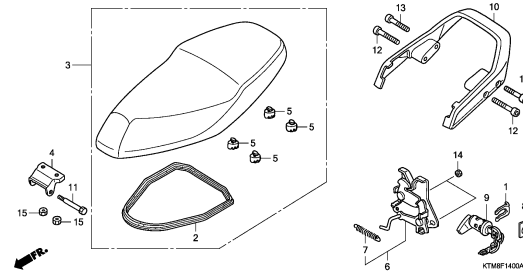
J 3



F-14

SEAT(1)

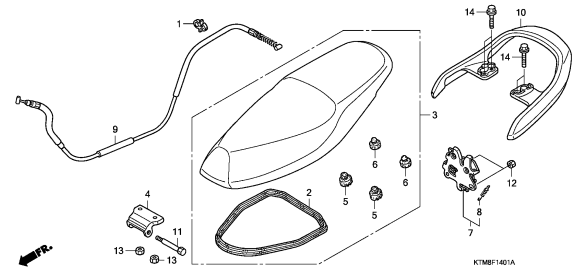
J 4



F-14-1

SEAT(2)

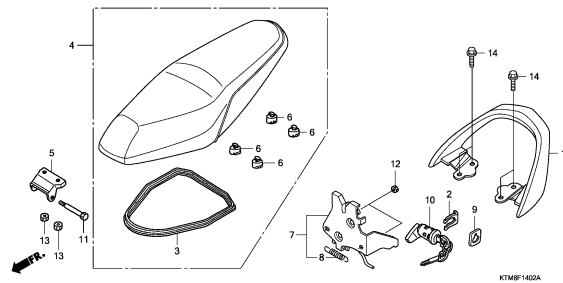
J 5



F-14-2

SEAT(3)

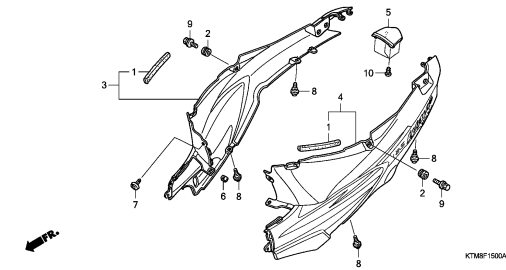
J 7



F-15

BODY COVER(1)

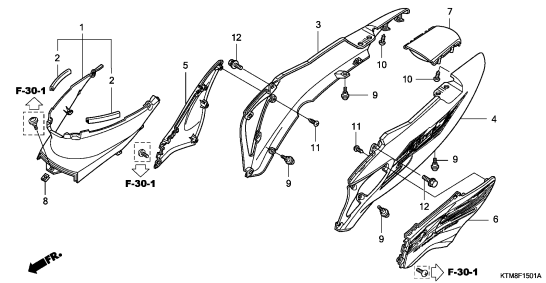
J 9



F-15-1

BODY COVER(2)

J10



3

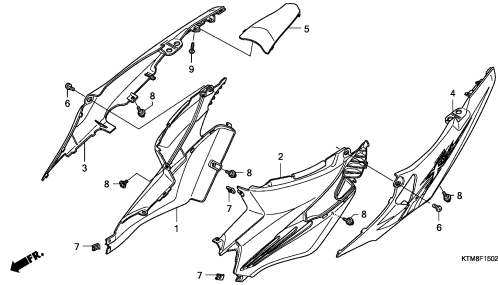
FRAME GROUP

D14

F-15-2

BODY COVER(3)

J13

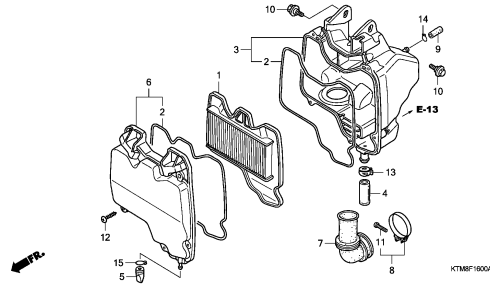


KTMBF1602

F-16

AIR CLEANER

J15

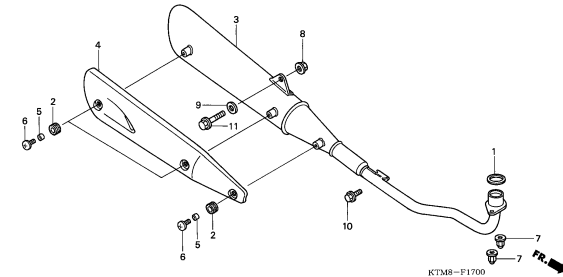


KTMBF1600A

F-17

EXHAUST MUFFLER(1)

J16

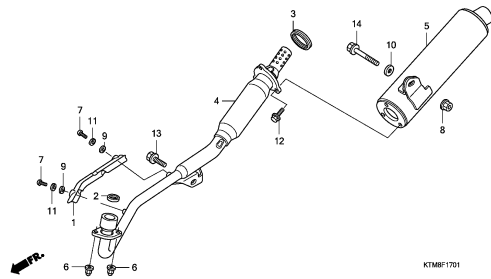


KTMB8-F1700

F-17-1

EXHAUST MUFFLER(2)

K 1

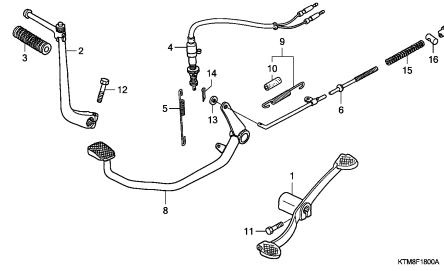


KTMBF1701

F-18

PEDAL/KICK STARTER ARM

K 3

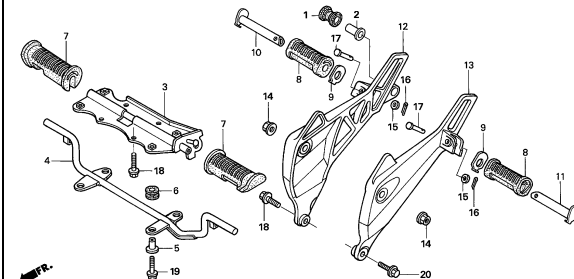


KTMBF1800A

F-19

STEP(1)

K 4

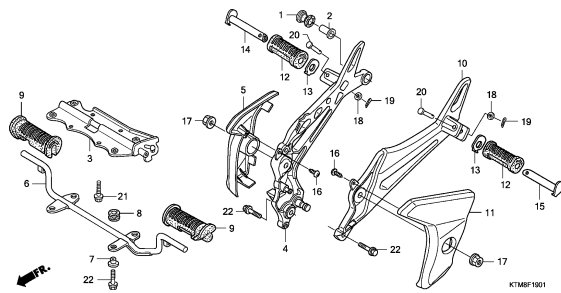


KTMB8-F1900

F-19-1

STEP(2)

K 6

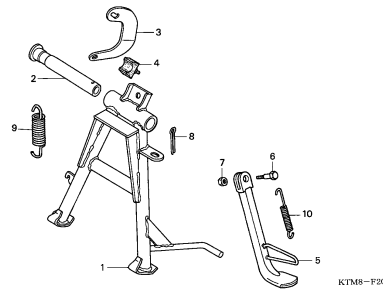


KTMBF1901

F-20

STAND

K 8

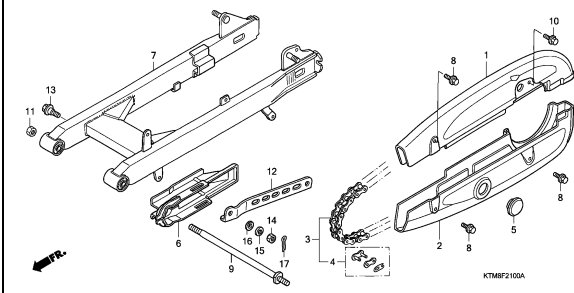


KTMB8-F2000

F-21

SWINGARM(1)

K 9



KTMBF2100A

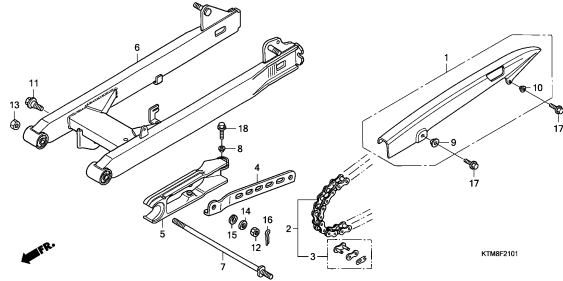
FRAME GROUP

D15

F-21-1

SWINGARM(2)

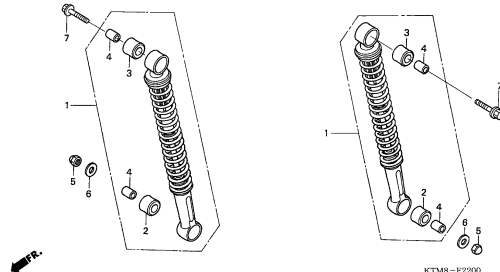
K11



F-22

REAR CUSHION

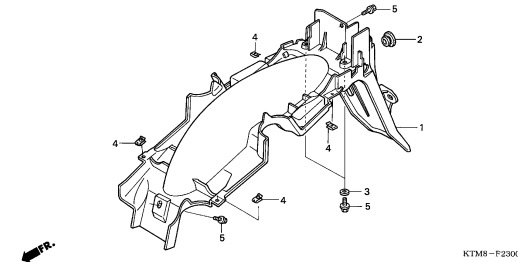
K13



F-23

REAR FENDER(1)

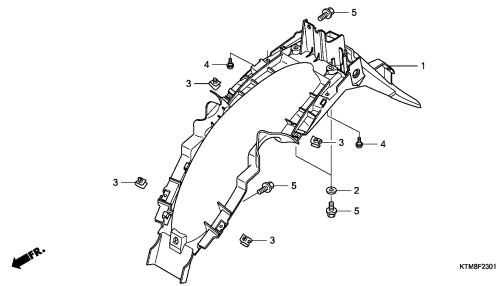
K14



F-23-1

REAR FENDER(2)

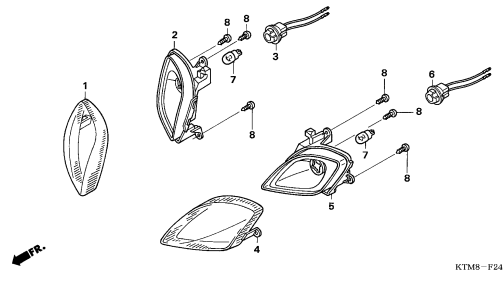
K15



F-24

FRONT WINKER(1)

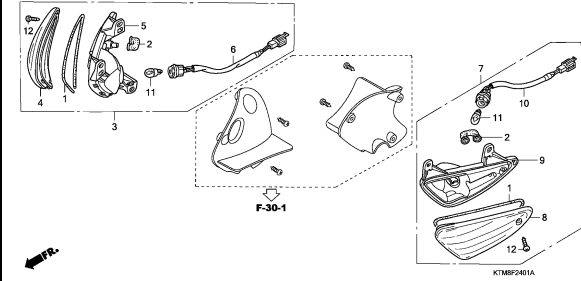
K16



F-24-1

FRONT WINKER(2)

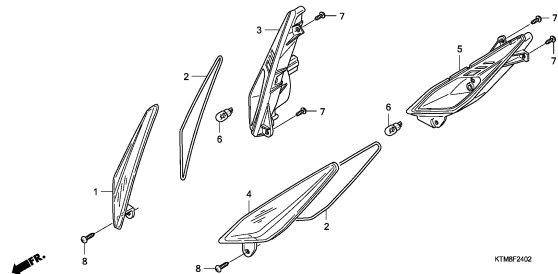
L 1



F-24-2

FRONT WINKER(3)

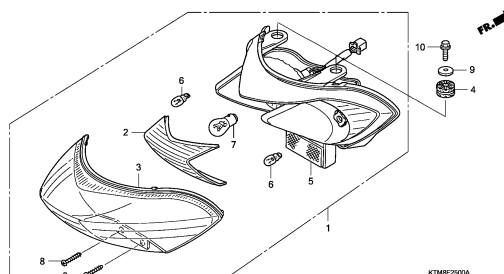
L 2



F-25

REAR COMBINATION LIGHT(1)

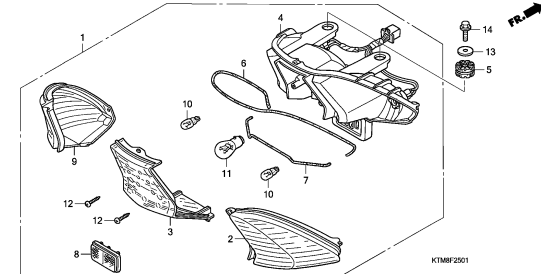
L 3



F-25-1

REAR COMBINATION LIGHT(2)

L 4



3

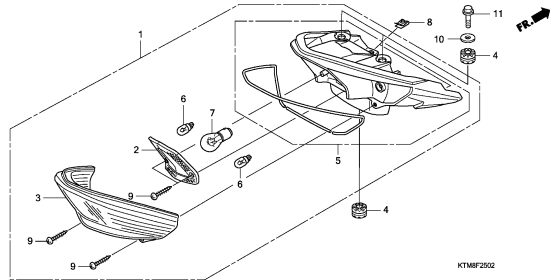
FRAME GROUP

D16

F-25-2

REAR COMBINATION LIGHT(3)

L 6

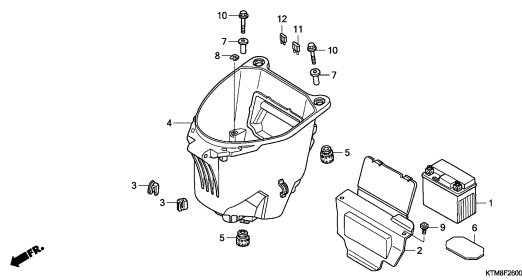


KTMBF2502

F-26

BATTERY/LUGGAGE BOX(1)

L 7

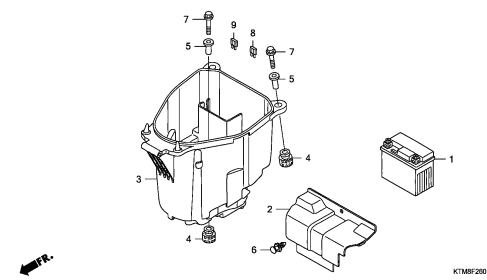


KTMBF2600A

F-26-1

BATTERY/LUGGAGE BOX(2)

L 8

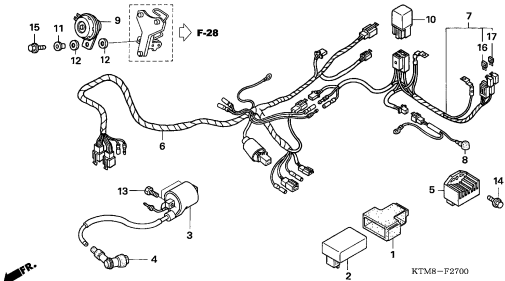


KTMBF2601

F-27

WIRE HARNESS(1)

L 9

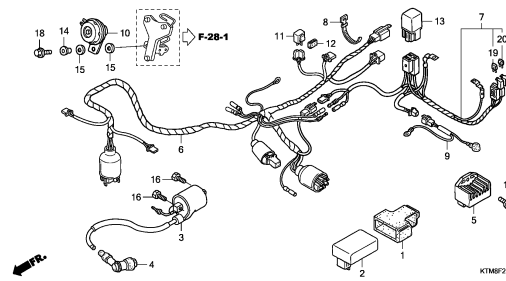


KTMBF2700

F-27-1

WIRE HARNESS(2)

L10

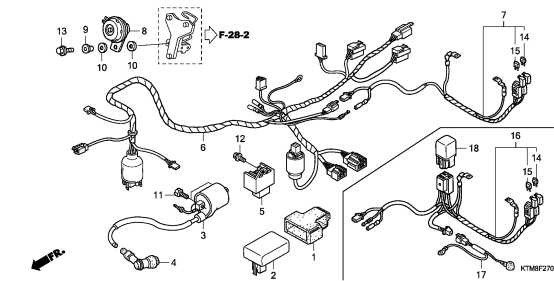


KTMBF2701A

F-27-2

WIRE HARNESS(3)

L12

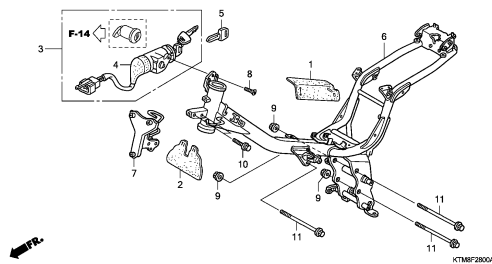


KTMBF2702A

F-28

FRAME BODY(1)

L14

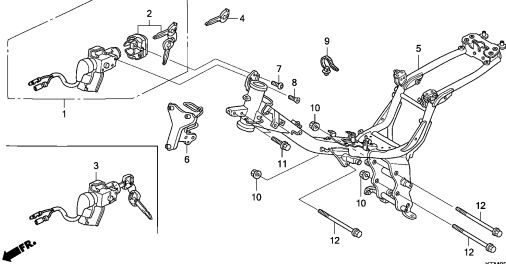


KTMBF2800A

F-28-1

FRAME BODY(2)

L15

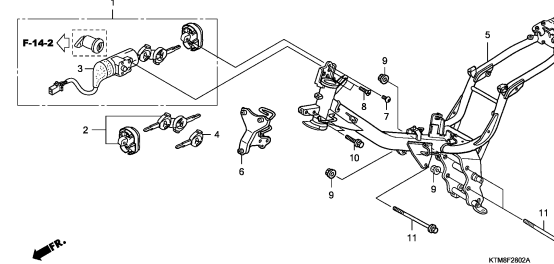


KTMBF2801A

F-28-2

FRAME BODY(3)

L16



KTMBF2802A

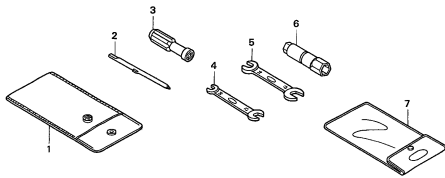
FRAME GROUP

E 1

F-29

TOOLS

M 1

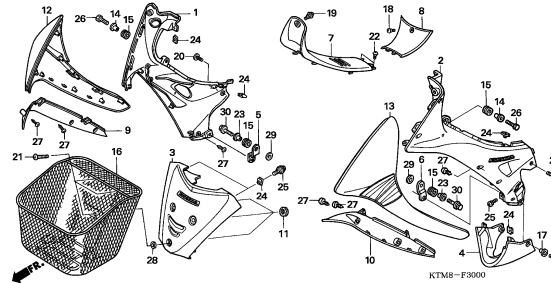


KTMB-F2900

F-30

MAIN PIPE COVER/LEG SHIELD(1)

M 2

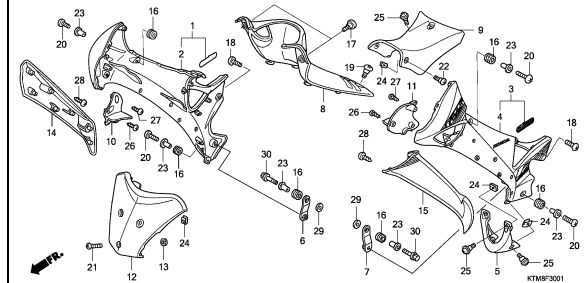


KTMB-F3000

F-30-1

MAIN PIPE COVER/LEG SHIELD(2)

M 5

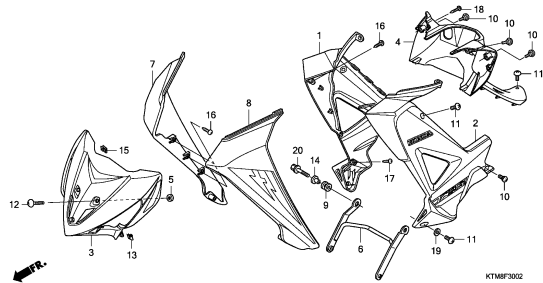


KTMB3001

F-30-2

MAIN PIPE COVER/LEG SHIELD(3)

M 9

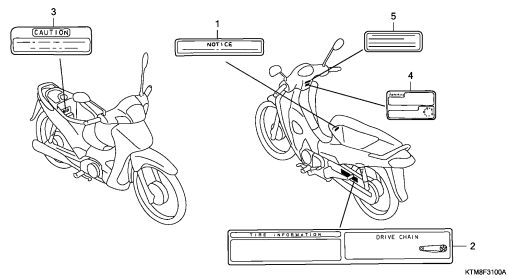


KTMB3002

F-31

CAUTION LABEL

M12

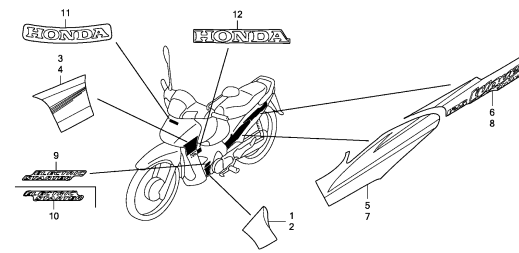


KTMB3100A

F-32

MARK/STRIPE(1)

M13

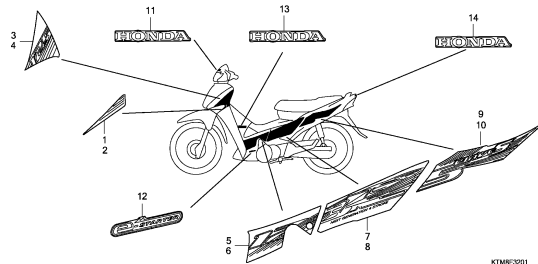


KTMB3200A

F-32-1

MARK/STRIPE(2)

M15

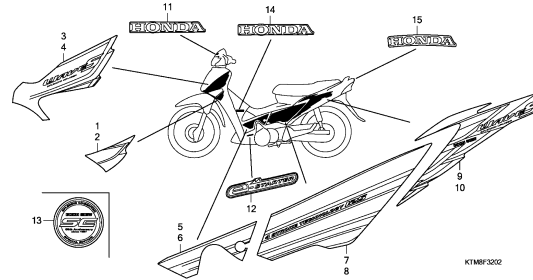


KTMB3201

F-32-2

MARK/STRIPE(3)

N 1

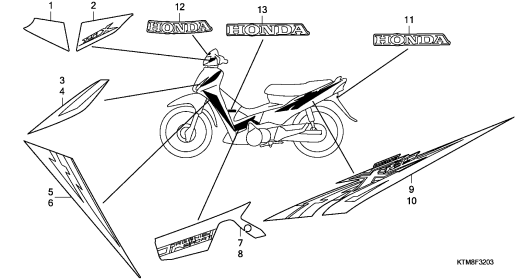


KTMB3202

F-32-3

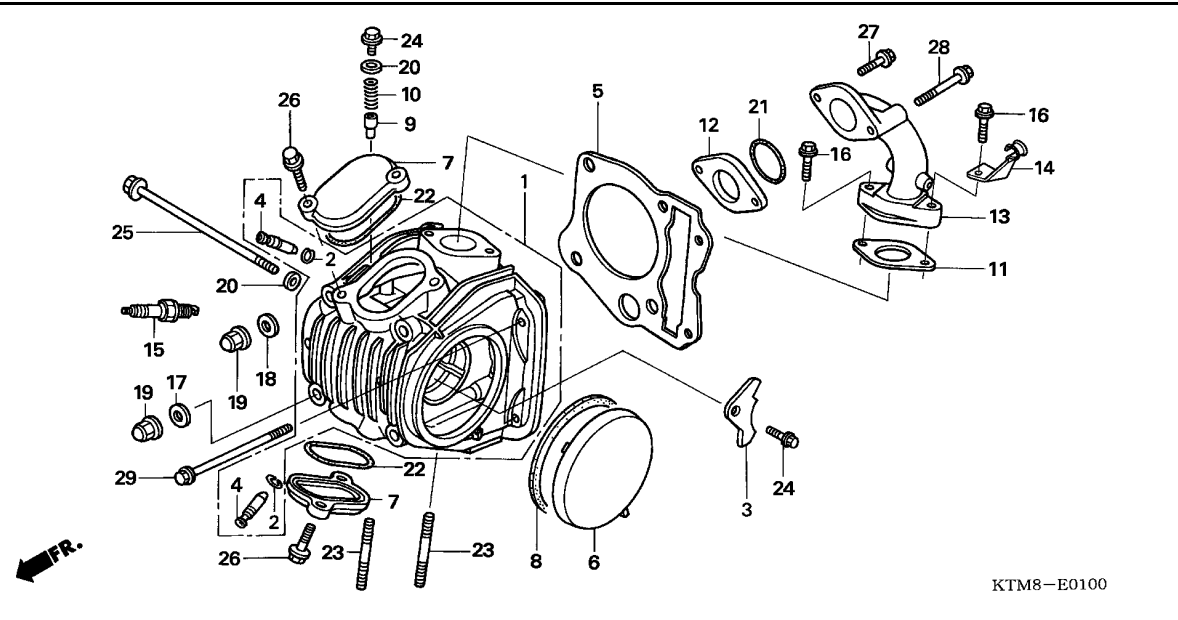
MARK/STRIPE(4)

N 3



KTMB3203

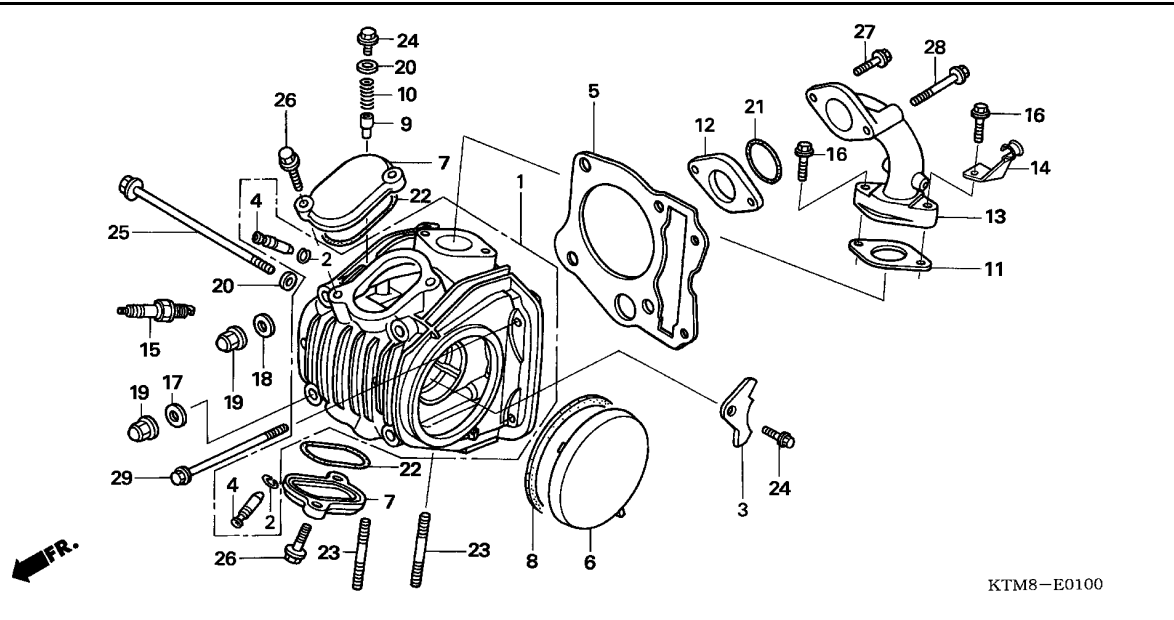
3



Ref. No.	L.O.N.	(Relative ref. Number) Description	F.R.T.
1	111106	HEAD, CYLINDERINCLUDES: Valve adjust and reface	2.0
	111106P	.'07 model add	0.1
	1111AV	HEAD, CYLINDER(A)INCLUDES: Valve adjust and reface	1.9
4	1111L9	GUIDE, INTAKE VALVE(ONE)INCLUDES: Reaming .INCLUDES: Valve adjust and reface	2.0
	1111L9M	.'07 model add	0.1
	1111AX	GUIDE, INTAKE VALVE(ONE) (A)INCLUDES: Reaming .INCLUDES: Valve adjust and reface	1.9
	1111M0	GUIDE, EXHAUST VALVE(ONE)INCLUDES: Reaming .INCLUDES: Valve adjust and reface	2.0
	1111M0M	.'07 model add	0.1
	1111AY	GUIDE, EXHAUST VALVE(ONE) (A)INCLUDES: Reaming	1.9

Ref. No.	Part No.	Description	Reqd. QTY					Serial No.	Parts catalogue code
			ANF125MR				AFP125		
			5/M5	7/M7	8/M8	9/M9	KCS/KS MCS		
1	12200-KPH-740	HEAD COMP., CYLINDER	1	-	-	-	-		
	12200-KTM-840	-	1	1	1	1		
2	12211-KFM-900	CLIP, VALVE GUIDE	2	2	2	2	2		
3	12211-KPH-900	PLATE, STOPPER	1	1	1	1	1		
4	12237-KPH-305	GUIDE, VALVE (O.S.)	2	2	2	2	2		
5	12251-KPH-901	GASKET, CYLINDER HEAD	1	1	1	1	1		
6	12341-KPH-900	COVER, L. CYLINDER HEAD SIDE	1	1	1	1	1		
7	12361-KPH-900	COVER, TAPPET ADJUSTING HOLE	2	2	2	2	2		
8	12395-KPH-900	GASKET, L. CYLINDER HEAD SIDE	1	1	1	1	1		
	12395-KPH-901	COVER	1	1	1	1	-		
9	14125-KPG-T00	PLUNGER, CAM SETTING	1	1	1	1	1		
10	14126-KPG-T00	SPRING, PLUNGER	1	1	1	1	1		
11	16201-KCW-851	GASKET, CARBURETOR INSULATOR	1	1	1	1	1		
12	16211-KPH-900	INSULATOR, CARBURETOR	1	1	1	1	1		
13	17110-KPW-860	PIPE, IN.	1	1	1	1	1		
14	17640-KTM-880	CLAMPER, FUEL TUBE	1	1	1	1	1		
15	31916-KPH-901	PLUG, SPARK (CPR6EA-9) (NGK) -	1	1	1	1	1		
	31926-KPH-901	PLUG, SPARK (U20EPR9) (DENSO)	1	1	1	1	1		
	31917-KPH-900	PLUG, SPARK (CPR7EA-9) (NGK) -	(1)	-	-	-	-		
	31927-KPH-901	PLUG, SPARK (U22EPR9) (DENSO)	(1)	(1)	(1)	(1)	(1)		
	31917-KPH-901	PLUG, SPARK (CPR7EA-9) (NGK) -	-	(1)	(1)	(1)	(1)		
16	90004-GHB-670	BOLT, FLANGE, 6X25 (NSHF)	2	2	2	2	2		
17	90441-ME9-000	WASHER, SEALING, 8MM	1	1	1	1	1		
18	90441-286-000	WASHER, SEALING, 8MM	3	3	3	3	3		

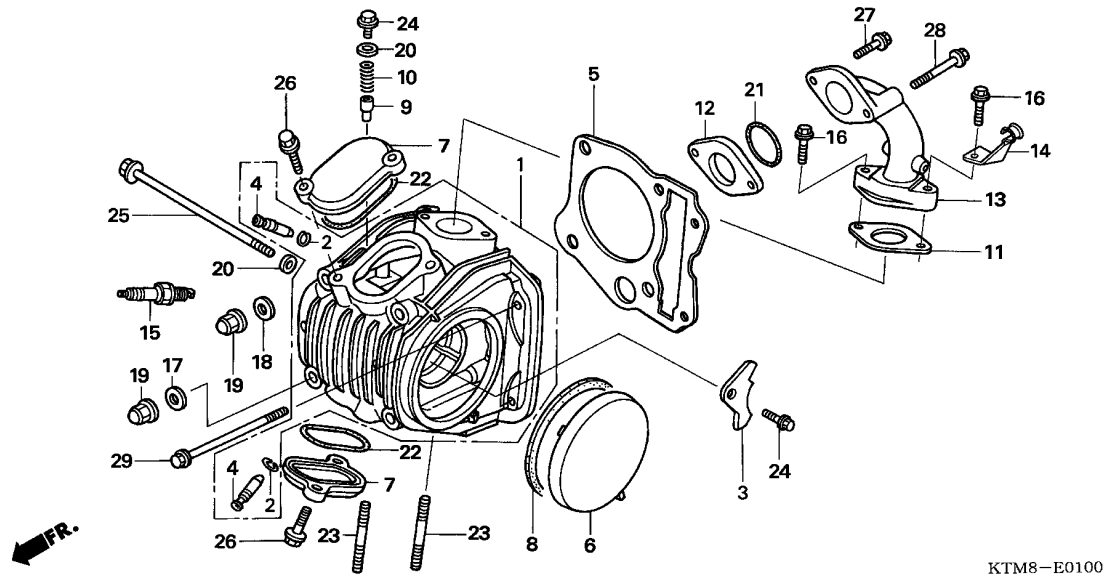




KTM8-E0100

Ref. No.	L.O.N.	(Relative ref. Number) Description	F.R.T.
+ 4		.INCLUDES: Valve adjust and reface .NOTE: '08- model	
1111M9		GUIDE, VALVE :FOR 1 VEHICLE ..	2.3
		.INCLUDES: Reaming	
		.INCLUDES: Valve adjust and reface	
1111M9K		.'07 model add	0.1
1111AZ		GUIDE, VALVE(A) :FOR 1 VEHICLE	2.2
		.INCLUDES: Reaming	
		.INCLUDES: Valve adjust and reface	
		.NOTE: '08- model	
5	111115	GASKET, CYLINDER HEAD	1.1
	111115P	.'07 model add	0.1
	1111AW	GASKET, CYLINDER HEAD(A)	1.0
		.NOTE: '08- model	
6		(8)	
	1111D0	COVER, CYLINDER HEAD SIDE :LEFT	0.2
7		(22)	
	111175	COVER AND/OR PACKING, TAPPET ADJUSTING	0.1
		.NOTE: Same time for two units	

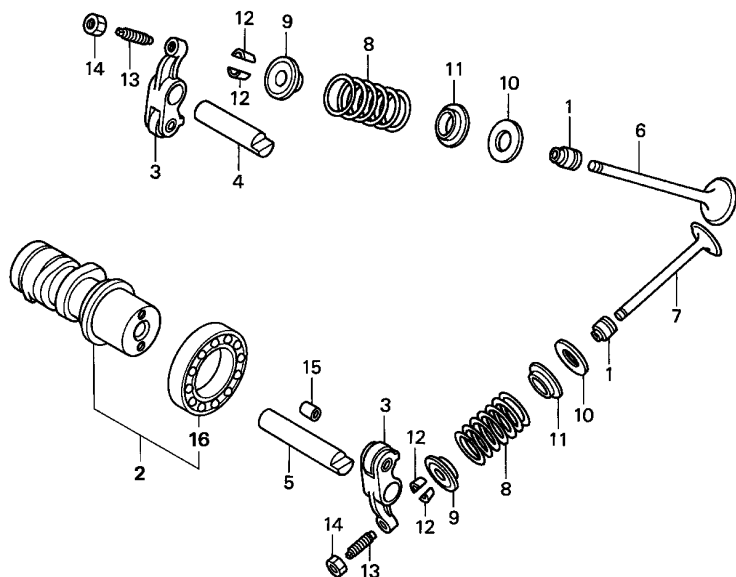
Ref. No.	Part No.	Description	Reqd. QTY					Serial No.	Parts catalogue code
			ANF125MR	AFP125	KCS/KS				
			5/M5	7/M7	8/M8	9/M9	A		
19	90443-107-000	NUT, CAP, 8MM	4	-	-	-	-		
	90443-KPH-900	NUT, CAP, 8MM(SAN SHING)	-	4	4	4	4		
	90443-KTM-970	NUT, CAP, 8MM	-	-	-	-	4		
20	90461-357-000	WASHER, SEALING, 12MM	2	2	2	2	2		
21	91304-GB1-900	O-RING, 25X2.4	1	1	1	1	1		
22	91372-KPH-900	O-RING, TAPPET ADJUSTING HOLE CAP	2	2	2	2	2		
23	92900-08028-0E	BOLT, STUD, 8X28	2	2	2	2	2		
24	95701-06012-00	BOLT, FLANGE, 6X12	2	2	2	2	2		
25	95701-06110-00	BOLT, FLANGE, 6X110	1	1	1	1	1		
26	96001-06020-00	BOLT, FLANGE, 6X20	4	4	4	4	4		
27	96001-06022-00	BOLT, FLANGE, 6X22	1	1	1	1	1		
28	96001-06045-00	BOLT, FLANGE, 6X45	1	1	1	1	1		
29	96001-06095-00	BOLT, FLANGE, 6X95	2	2	2	2	2		



KTM8-E0100

Ref. No.	L.O.N.	(Relative ref. Number) Description	F.R.T.
12		(21)	
311131		INSULATOR, THROTTLE BODY/ CARBURETOR	0.4
311131F		. '07 model add	0.1
3111J4		INSULATOR, THROTTLE BODY/ CARBURETOR(A)	0.3
		.NOTE: '08- model	
13		(11)	
111107		MANIFOLD, INTAKE	0.5
111107E		. '07 model add	0.1
1111BA		MANIFOLD, INTAKE(A)	0.4
		.NOTE: '08- model	
15	614130	PLUG, SPARK	0.1

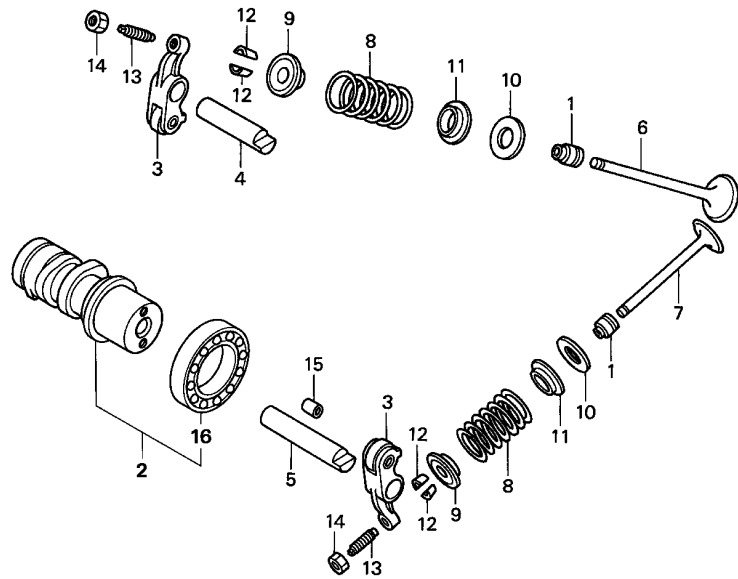




KTM8-E0200

Ref. No.	L.O.N.	(Relative ref. Number) Description	F.R.T.
2	111118	CAMSHAFT	1.3
		.INCLUDES: Valve adjustment	
	111118Q	.'07 model add	0.1
	1111BB	CAMSHAFT(A)	1.2
		.INCLUDES: Valve adjustment	
		.NOTE: '08- model (4,5)	
3	1111K8	ARM, INTAKE VALVE ROCKER(ONE)	1.3
		.INCLUDES: Valve adjustment	
	1111K8F	.'07 model add	0.1
	1111BC	ARM, INTAKE VALVE ROCKER(ONE) (A)	1.2
		.INCLUDES: Valve adjustment	
		.NOTE: '08- model	
	1111K9	ARM, EXHAUST VALVE ROCKER(ONE)	1.3
		.INCLUDES: Valve adjustment	
	1111K9F	.'07 model add	0.1
	1111BD	ARM, EXHAUST VALVE ROCKER(ONE) (A)	1.2
		.INCLUDES: Valve adjustment	
		.NOTE: '08- model	
	1111L8	ARM, VALVE ROCKER :FOR 1 VEHICLE	1.3
		.INCLUDES: Valve adjustment	
+	1111L8E	.'07 model add	0.1

Ref. No.	Part No.	Description	Reqd. QTY					Serial No.	Parts catalogue code
			5/M5	7/M7	8/M8	9/M9	A		
1	12209-GB4-681	SEAL, VALVE STEM (NOK)	2	2	2	2	2		
2	14100-KPG-T00	CAMSHAFT COMP.	1	1	1	1	1		
3	14430-KPH-900	ARM COMP., VALVE ROCKER	2	2	2	2	2		
4	14451-KPH-900	SHAFT, IN. ROCKER ARM	1	1	1	1	1		
5	14452-KPH-900	SHAFT, EX. ROCKER ARM	1	1	1	1	1		
6	14711-KPH-900	VALVE, IN.	1	1	1	1	1		
7	14721-KPH-880	VALVE, EX.	1	1	1	1	1		
8	14751-KPH-900	SPRING, VALVE	2	2	2	2	2		
9	14771-GB4-680	RETAINER, VALVE SPRING	2	2	2	2	2		
10	14775-KFM-900	SEAT, VALVE SPRING OUTER	2	2	2	2	2		
11	14776-KPH-900	SEAT, VALVE SPRING	2	2	2	2	2		
12	14781-MA6-000	COTTER, VALVE	4	4	4	4	4		
13	90012-333-000	SCREW, TAPPET ADJUSTING	2	2	2	2	2		
14	90206-001-000	NUT, TAPPET ADJUSTING	2	2	2	2	2		
15	90702-KFM-900	DOWEL PIN, 8X12	1	1	1	1	1		
16	91007-GB6-911	BEARING, RADIAL BALL, 6905 ..	1	1	1	1	1		
	91007-GB6-912	BEARING, RADIAL BALL, 6905 (NTN)	1	1	1	1	1		



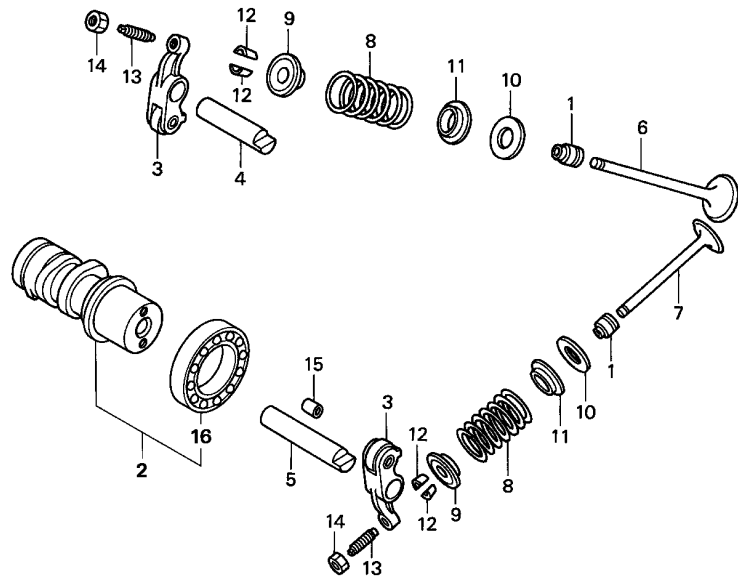
KTM8-E0200

Ref. No.	L.O.N.	(Relative ref. Number) Description	F.R.T.
+ 3	1111BE	ARM, VALVE ROCKER(A) :FOR 1 VEHICLE	1.2
		.INCLUDES: Valve adjustment .NOTE: '08- model	
6	1111N0	VALVE, INTAKE(ONE)	1.6
		.INCLUDES: Refacing	
	1111N0L	'07 model add	0.1
	1111BJ	VALVE, INTAKE(ONE) (A)	1.5
		.INCLUDES: Refacing .NOTE: '08- model	
	1111P0	VALVE :FOR 1 VEHICLE	1.8
		.INCLUDES: Refacing	
	1111P0J	'07 model add	0.1
	1111BL	VALVE(A) :FOR 1 VEHICLE	1.7
		.INCLUDES: Refacing .NOTE: '08- model	
7	1111N1	VALVE, EXHAUST(ONE)	1.6
		.INCLUDES: Refacing	
	1111N1L	'07 model add	0.1
	1111BK	VALVE, EXHAUST(ONE) (A)	1.5
		.INCLUDES: Refacing .NOTE: '08- model	
8	1111P2	(1,9,10,11,12) SPRING AND/OR STEM SEAL, INTAKE VALVE(ONE)	1.4

E-2

CAMSHAFT/VALVE

F 6

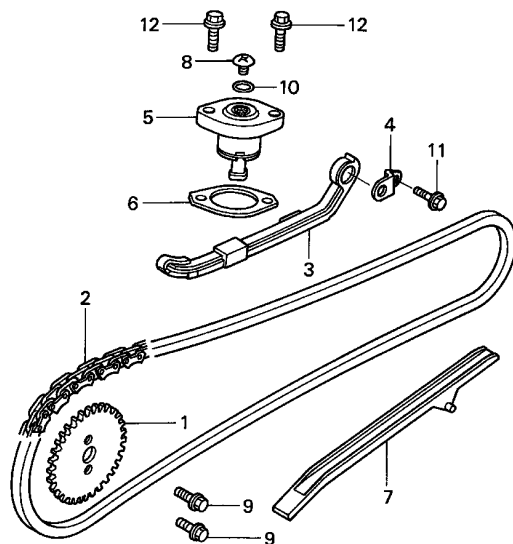


FR.

KTM8-E0200

Ref. No.	L.O.N.	(Relative ref. Number) Description	F.R.T.
+ 8	1111P2L	. '07 model add	0.1
	1111BG	SPRING AND/OR STEM SEAL, INTAKE VALVE(ONE) (A)	1.3
		.NOTE: '08- model	
	1111P3	SPRING AND/OR STEM SEAL, EXHAUST VALVE(ONE)	1.4
	1111P3L	. '07 model add	0.1
	1111BF	SPRING AND/OR STEM SEAL, EXHAUST VALVE(ONE) (A)	1.3
		.NOTE: '08- model	
	1111Q2	SPRING AND/OR STEM SEAL, VALVE :FOR 1 VEHICLE	1.5
	1111Q2J	. '07 model add	0.1
	1111BH	SPRING AND/OR STEM SEAL, VALVE (A) :FOR 1 VEHICLE	1.4
		.NOTE: '08- model	

2

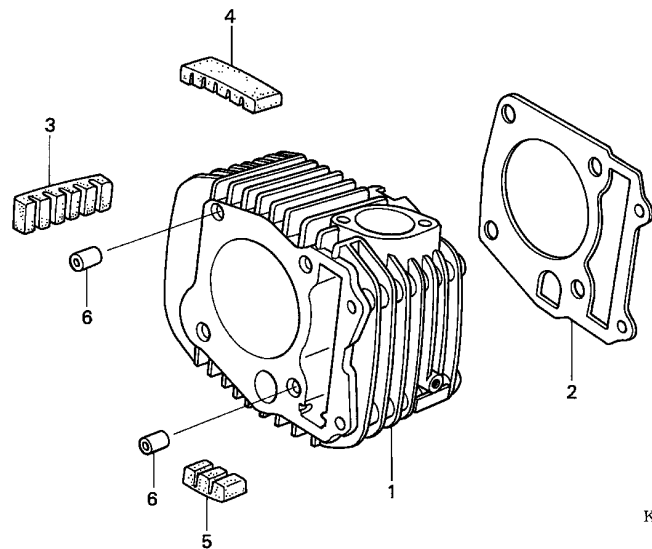


KTM8-E0300

Ref. No.	L.O.N.	(Relative ref. Number) Description	F.R.T.
1	1111Q4	SPROCKET, CAM	0.6
	1111Q4H	. '07 model add	0.1
	1111BM	SPROCKET, CAM(A)	0.5
		.NOTE: '08- model	
2	110140	CHAIN, CAM	1.1
	110140W	. '07 model add	0.2
	1101N8	CHAIN, CAM(A)	1.0
		.NOTE: '08- model	
3	111130	TENSIONER, CAM CHAIN	1.1
	111130W	. '07 model add	0.2
	1111AE	TENSIONER, CAM CHAIN(A)	1.0
		.NOTE: '08- model	
5		(6)	
	111133	LIFTER, TENSIONER	0.3
	111133J	. '07 model add	0.1
	1111BN	LIFTER, TENSIONER(A)	0.2
		.NOTE: '08- model	
7	111139	GUIDE, CAM CHAIN	1.1
	111139U	. '07 model add	0.2
	1111BP	GUIDE, CAM CHAIN(A)	1.0
		.NOTE: '08- model	

Ref. No.	Part No.	Description	Reqd. QTY					Serial No.	Parts catalogue code
			ANF125MR				AFP125		
			5/M5	7/M7	8/M8	9/M9	A		
1	14321-KPH-900	SPROCKET, CAM (34T)	1	1	1	1	1		
2	14401-KPH-900	CHAIN, CAM (92L)(DAIDO)	1	1	-	-	-		
	14401-KTM-971	-	-	1	1	-		
	14401-KSS-931	-	-	-	-	1		
3	14510-KPH-880	TENSIONER ASSY., CAM CHAIN ..	1	1	1	1	1		
4	14515-KGH-900	PLATE, TENSIONER SETTING	1	1	1	1	1		
5	14520-KGH-601	LIFTER ASSY., TENSIONER	1	-	-	-	-		
	14520-KSS-901	-	1	1	1	1		
6	14560-KGH-900	GASKET, TENSIONER LIFTER	1	1	1	1	1		
7	14610-KPH-900	GUIDE COMP., CAM CHAIN	1	1	1	1	1		
8	90005-KY7-000	SCREW, PAN, 6X6	1	1	1	1	1		
9	90083-GB6-911	BOLT, KNOCK, 5MM	2	2	2	2	2		
10	91306-MG3-000	O-RING, 1.5X9.5	1	1	1	1	1		
11	95701-06014-00	BOLT, FLANGE, 6X14	1	1	1	1	1		
12	96001-06022-00	BOLT, FLANGE, 6X22	2	2	2	2	2		





KTM8-E0400

Ref. No.	L.O.N.	(Relative ref. Number) Description	F.R.T.
1	1111A5	CYLINDER	1.4
	1111A5G	. '07 model add	0.1
	1111BR	CYLINDER(A)	1.3
		.NOTE: '08- model	
2	111102	GASKET, CYLINDER	1.3
	111102G	. '07 model add	0.1
	1111BQ	GASKET, CYLINDER(A)	1.2
		.NOTE: '08- model	

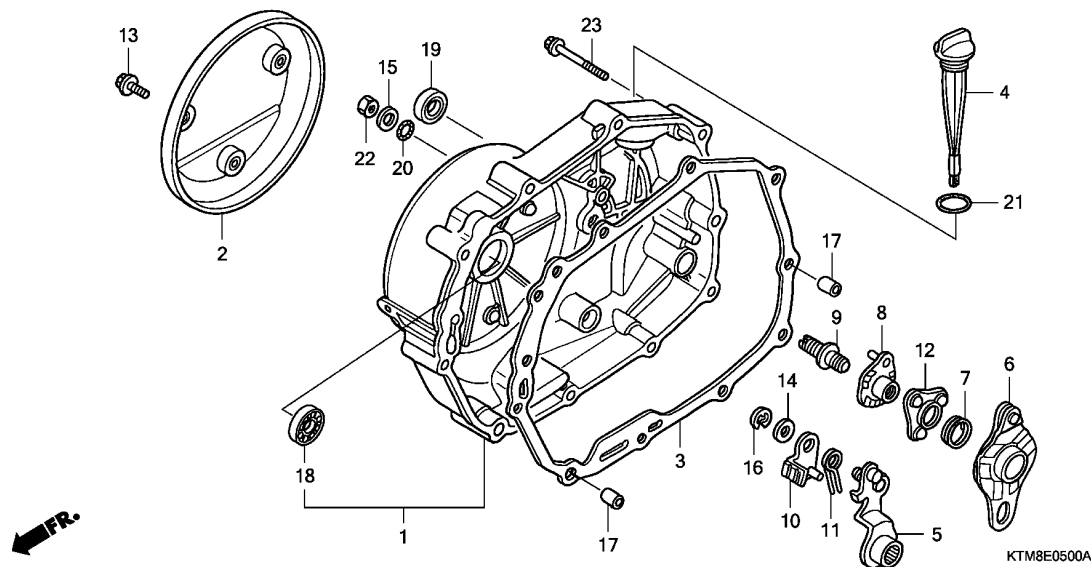


Ref. No.	Part No.	Description	Reqd. QTY					Serial No.	Parts catalogue code
			ANF125MR				AFP125		
			5/M5	7/M7	8/M8	9/M9	A		
1	12100-KPH-900	CYLINDER COMP.	1	1	1	1	1		
2	12191-KPH-900	GASKET, CYLINDER	1	1	1	1	-		
	12191-KPH-901	-	-	-	-	1		
3	12195-KPH-900	RUBBER A, INSERT	1	1	1	1	1		
4	12196-KPH-900	RUBBER B, INSERT	1	1	1	1	1		
5	12197-KPH-900	RUBBER C, INSERT	1	1	1	1	1		
6	94301-10120	DOWEL PIN, 10X12	2	2	2	2	2		

E-5

RIGHT CRANKCASE COVER

F 9



Ref. No.	L.O.N.	(Relative ref. Number) Description	F.R.T.
1	110159	COVER, CRANKCASE :RIGHT	0.8
2	1101N0	COVER, CRANKCASE OUTER :RIGHT	0.1
3	110158	GASKET, CRANKCASE COVER :RIGHT	0.6
5		(11)	
	2121A7	LEVER, CLUTCH	0.7
6	2121A9	PLATE, CLUTCH CAM	0.6
8	2121C5	PLATE, CLUTCH CAM LIFTER	0.7
19	112105	OIL SEAL, KICK STARTER SPINDLE	0.6

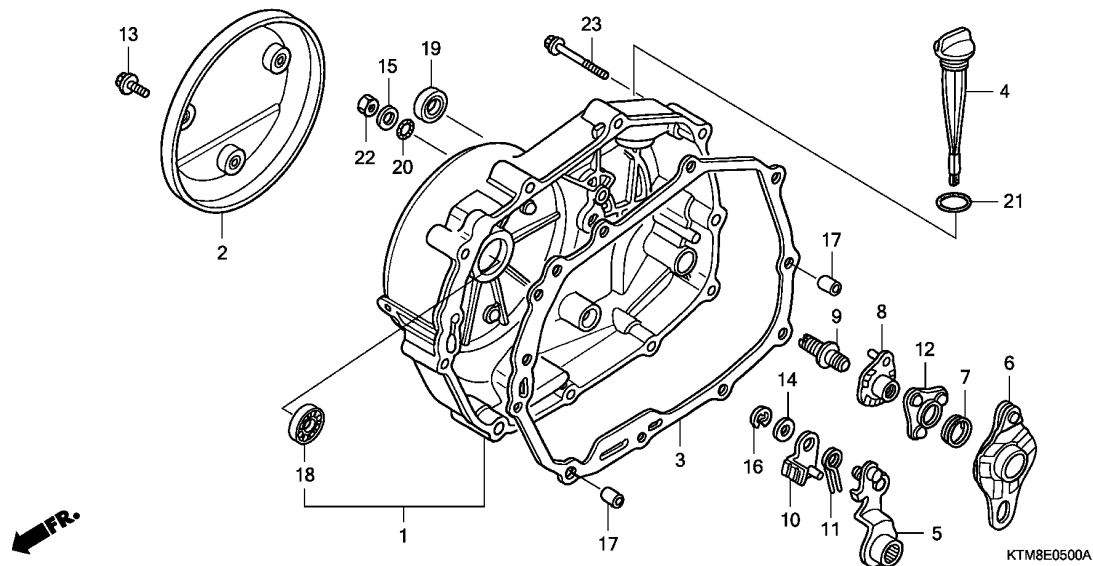
Ref. No.	Part No.	Description	Reqd. QTY					Serial No.	Parts catalogue code
			ANF125MR	AFP125	KCS/KS				
			5/M5	7/M7	8/M8	9/M9	A		
1	11330-KPH-650	COVER COMP., R. CRANKCASE ...	1	-	-	-	-		
	11330-KPH-651	-	1	1	1	1		
2	11370-KPH-900	PROTECTOR COMP., R. COVER	1	1	1	1	1		
3	11394-KPH-900	GASKET, R. CRANKCASE COVER ..	1	1	1	1	-		
	11394-KPH-901	-	-	-	-	1		
4	15651-KPH-900	GAUGE, OIL LEVEL	1	1	1	1	1		
5	22810-KPH-900	LEVER COMP., CLUTCH	1	1	1	1	1		
6	22820-KPH-900	PLATE COMP., CLUTCH CAM	1	-	-	-	-		
	22820-KPH-700	-	1	1	1	1		
7	22825-046-000	SPRING, CAM PLATE SIDE	1	1	1	1	1		
8	22830-KPH-900	PLATE COMP., CLUTCH LIFTER ..	1	1	1	1	1		
9	22846-KPH-901	BOLT, CLUTCH ADJUSTING	1	1	1	1	1		
10	22850-KPH-900	PLATE COMP., BRAKE	1	1	1	1	1		
11	22853-KPH-900	SPRING, BRAKE	1	1	1	1	1		
12	22860-HB3-000	RETAINER COMP., BALL	1	1	1	1	1		
13	90005-GHB-610	BOLT, FLANGE, 6X12	3	3	3	3	3		
14	90443-844-000	WASHER, THRUST, 8MM	1	1	1	1	1		
15	90485-040-000	WASHER, 8MM	1	1	1	1	1		
16	90605-166-720	CIRCLIP, 7MM	1	1	1	1	1		
17	90702-KFM-900	DOWEL PIN, 8X12	2	2	2	2	2		
18	91007-KPH-901	BEARING, RADIAL BALL SPECIAL, 6001U	1	1	1	1	1		
19	91204-MC7-003	OIL SEAL, 16X28X7	1	1	1	1	1		
20	91303-001-000	O-RING, 8MM	1	1	1	1	1		

2

E-5

RIGHT CRANKCASE COVER

F10



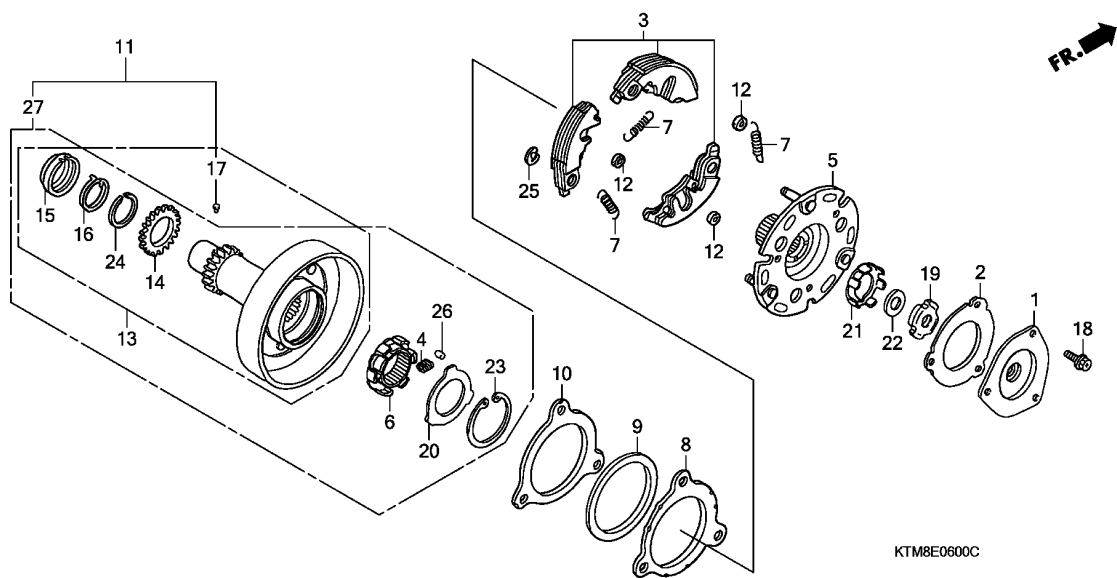
Ref. No.	Part No.	Description	Reqd. QTY					Serial No.	Parts catalogue code
			ANF125MR 5/M5	7/M7	8/M8	9/M9	AFP125 KCS/KS MCS A		
21	91307-035-000	O-RING, 18X3	1	1	1	1	1		
22	94030-08000	NUT, HEX., 8MM	1	1	1	1	1		
23	96001-06040-00	BOLT, FLANGE, 6X40	10	10	10	10	10		

2

E-6

ONE WAY CLUTCH

F11



Ref. No.	L.O.N.	(Relative ref. Number) Description	F.R.T.
1	2121D8	COVER, OIL FILTER	0.7
3	2121A6	WEIGHT SET, CLUTCH	1.0
5	2121A2	PLATE, CLUTCH DRIVE	1.0
6	2121D7	INNER, ONE-WAY CLUTCH	1.0
11	2121D9	OUTER, PRIMARY CLUTCH	1.0
13	211105	GEAR, PRIMARY DRIVE	1.1

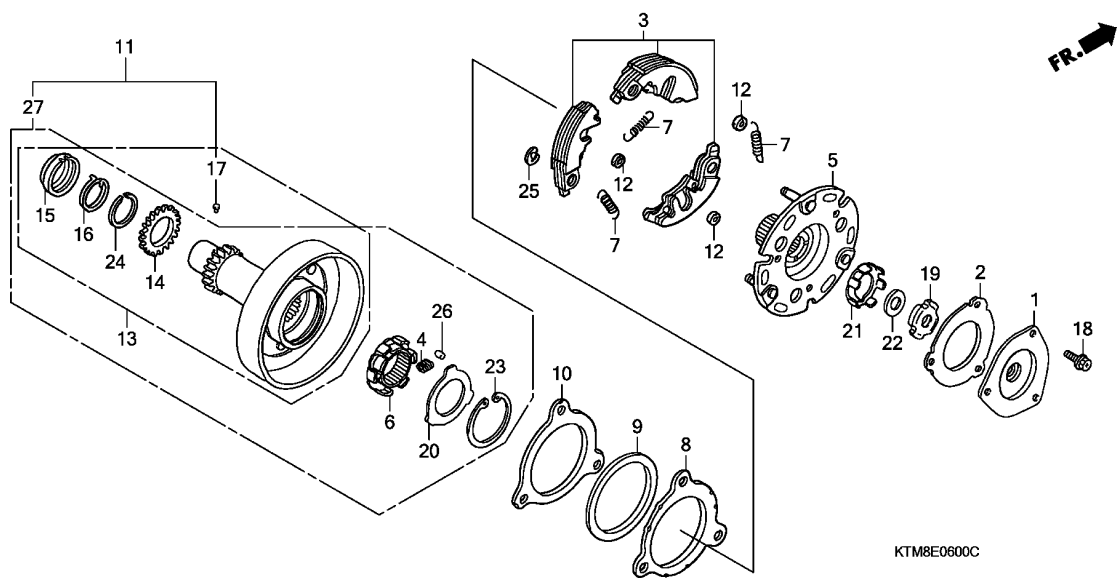
2

Ref. No.	Part No.	Description	Reqd. QTY					Serial No.	Parts catalogue code
			ANF125MR	AFP125	KCS/KS				
			5/M5	7/M7	8/M8	9/M9	A		
1	15431-KPH-900	COVER, OIL FILTER	1	1	1	1	1		
2	15439-KPH-900	GASKET, OIL FILTER	1	1	1	1	-		
	15439-KPH-901	-	-	-	-	1		
3	22535-KPH-305	WEIGHT SET, PRIMARY CLUTCH ..	1	1	-	-	-		
	22535-KPH-309	WEIGHT SET, PRIMARY CLUTCH (F.C.C.)	-	-	1	-	-		MA, MMA
	22535-KTM-305	WEIGHT SET, PRIMARY CLUTCH (EXEDY)	-	-	-	1	1		2MA
4	22606-GN5-910	SPRING, ONE WAY RETAINER	6	6	6	6	6		
5	22610-KPH-900	PLATE COMP., PRIMARY DRIVE (F.C.C.)	1	1	1	1	1		
	22610-KTM-D20	PLATE COMP., PRIMARY DRIVE (EXEDY)	-	-	1	-	-		2MA
6	22630-GB2-000	INNER COMP., ONE-WAY CLUTCH ..	1	1	1	1	1		
7	22641-KPH-900	SPRING, PRIMARY CLUTCH	3	3	3	3	3		
8	22642-KPH-900	WASHER, CLUTCH SIDE	1	1	1	1	1		
9	22643-KPH-900	SPRING, SIDE FRICTION	1	1	1	1	1		
10	22644-KPH-900	PLATE, CLUTCH SIDE	1	1	1	1	1		
	22644-KTM-D20	PLATE, CLUTCH SIDE (EXEDY) ..	-	-	1	-	-		2MA
11	22660-KPH-900	OUTER ASSY., PRIMARY CLUTCH ..	1	1	-	-	-		
			-	-	1	-	-		MA, MMA

E-6

ONE WAY CLUTCH

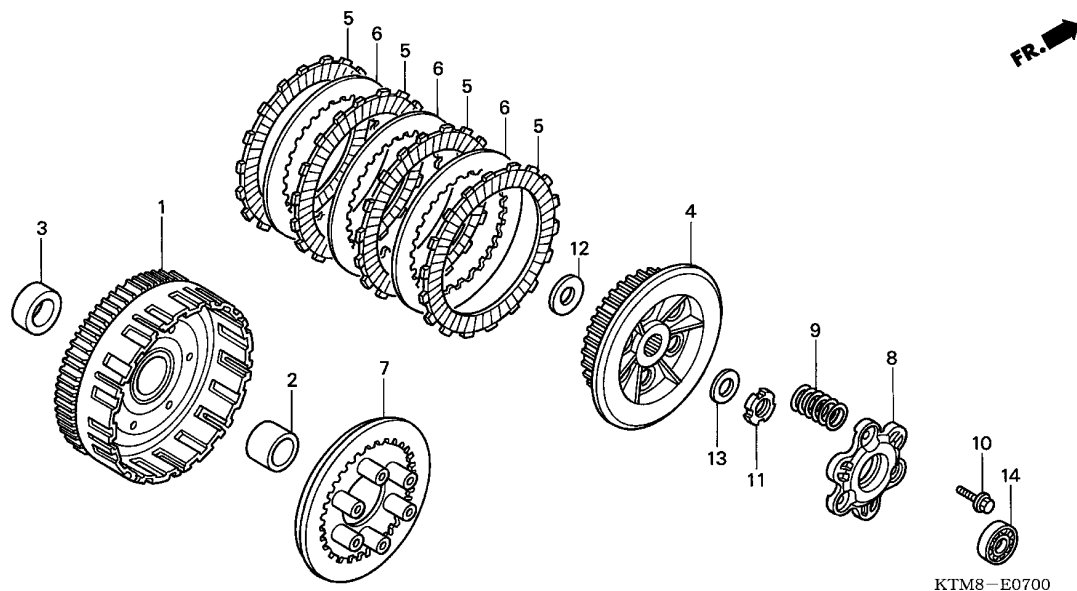
F12



KTM8E0600C

Ref. No.	Part No.	Description	Reqd. QTY					Serial No.	Parts catalogue code
			ANF125MR 5/M5	7/M7	8/M8	9/M9	AFP125 KCS/KS MCS A		
11)	22660-KPH-901	OUTER ASSY., PRIMARY CLUTCH (F.C.C.)	-	-	1	-	-	----- 2MA	
12	22804-GB2-000	RUBBER, CLUTCH DAMPER	3	-	-	-	1	1	
	22804-KPH-880	-	3	3	3	3		
13	23120-KPH-900	GEAR COMP., PRIMARY DRIVE	1	1	-	-	-	----- MA,MMA	
14	23122-KPH-900	SUB GEAR (20T)	1	1	1	1	1		
15	23123-KPH-900	RETAINER, SPRING	1	1	1	1	1		
	23123-KTM-D20	RETAINER, SPRING (EXEDY)	-	-	1	-	-	----- 2MA	
			-	-	-	1	1		
16	23124-KPH-900	SPRING, SUB GEAR	1	1	1	1	1		
17	23125-GN5-910	PIN	1	1	1	1	1		
18	90083-KFL-850	BOLT, SPECIAL FLANGE, 5X8	3	3	3	3	3		
19	90231-087-010	NUT, LOCK, 14MM	1	1	1	1	1		
20	90401-GB2-000	WASHER, 30X45X0.8	1	1	1	1	1		
21	90431-GN5-910	WASHER, LOCK	1	1	1	1	1		
22	90432-086-000	WASHER B, LOCK	1	1	1	1	1		
23	90455-GB2-000	CIRCLIP, INTERNAL, 45MM	1	1	1	1	1		
24	90603-KPH-900	SET RING, 25MM	1	1	1	1	1		
25	90605-166-720	CIRCLIP, 7MM	3	3	3	3	3		
26	91101-GB2-000	ROLLER, 5X8	6	6	6	6	6		
27	22660-KTM-D20	OUTER ASSY., PRIMARY CLUTCH (EXEDY)	-	-	1	-	-	----- 2MA	
			-	-	-	1	1		

2

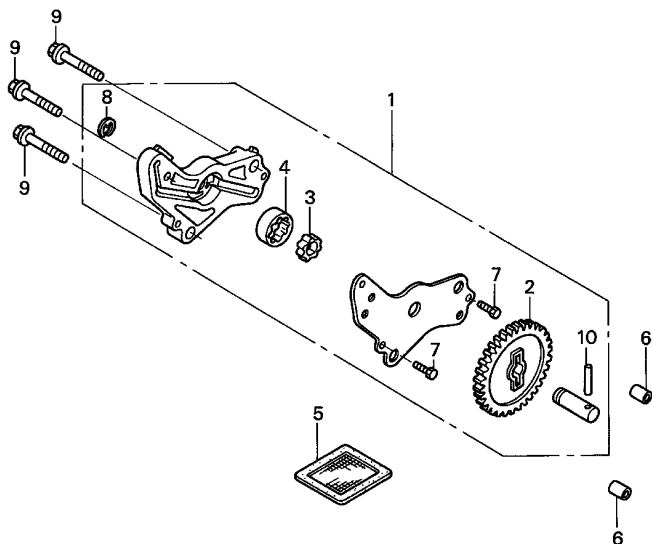


Ref. No.	L.O.N.	(Relative ref. Number) Description	F.R.T.
1	2121A0	OUTER, CLUTCH	1.0
4	212112	CENTER, CLUTCH	1.2
5		(6)	
	2121A1	DISK, CLUTCH FRICTION	1.2
		.NOTE: Same time for two units or more	
7	2121A3	PLATE, CLUTCH PRESSURE	1.2
8	2121A4	PLATE, CLUTCH LIFTER	1.0
9	212107	SPRING, CLUTCH	1.0
		.NOTE: Same time for two units or more	
14	2121B4	BEARING, CLUTCH LIFTER	0.7

KTM8-E0700

Ref. No.	Part No.	Description	Reqd. QTY					Serial No.	Parts catalogue code
			ANF125MR						
			5/M5	7/M7	8/M8	9/M9	A		
1	22100-KPH-880	OUTER COMP., CLUTCH	1	1	1	1	1		
2	22115-KPH-900	GUIDE, CLUTCH OUTER	1	1	1	1	1		
3	22116-KPH-900	COLLAR, CLUTCH OUTER	1	1	1	1	1		
4	22121-KPH-900	CENTER, CLUTCH	1	1	1	1	1		
5	22201-KPH-900	DISK, CLUTCH FRICTION	4	4	4	4	4		
6	22321-KE8-000	PLATE, CLUTCH	3	3	3	3	3		
7	22350-KPH-900	PLATE, CLUTCH PRESSURE	1	1	1	1	1		
8	22361-KPH-900	PLATE, CLUTCH LIFTER	1	-	-	-	-		
	22361-KTM-950	-	1	1	1	1		
9	22401-KPH-900	SPRING, CLUTCH	6	6	6	6	6		
10	90050-KPH-900	BOLT, SPECIAL FLANGE, 6X20 ..	3	3	3	3	3		
11	90231-KM7-700	NUT, LOCK, 14MM	1	1	1	1	1		
12	90403-KPH-900	WASHER, THRUST, 17MM	1	1	1	1	1		
13	90501-GBL-730	WASHER, 14MM	1	1	1	1	1		
14	91002-MG8-003	BEARING, RADIAL BALL, 6804	1	-	-	-	-		
		(KOYO)	-	1	1	1	1		
	91008-KK6-000	BEARING, RADIAL BALL, 16003 ..	-	1	1	1	1		

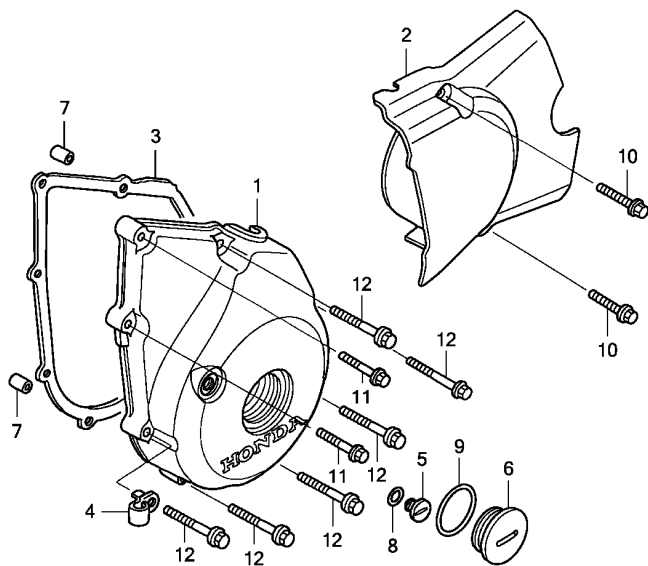




KTM8-E0800

Ref. No.	L.O.N.	(Relative ref. Number) Description	F.R.T.
1	113105	PUMP ASSY., OIL	1.2
5	1131B5	SCREEN, OIL FILTER	0.6

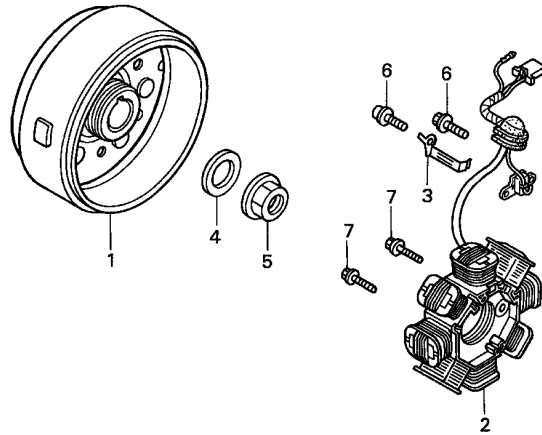
Ref. No.	Part No.	Description	Reqd. QTY					Serial No.	Parts catalogue code
			ANF125MR	AFP125	KCS/KS	MCS	A		
			5/M5	7/M7	8/M8	9/M9			
1	15100-KPH-900	PUMP ASSY., OIL	1	-	-	-	-		
	15100-KTM-970	-	1	1	1	1		
2	15133-KPH-900	GEAR, OIL PUMP DRIVEN (30T)	1	1	1	1	1		
3	15331-GF6-000	ROTOR, OIL PUMP INNER	1	1	1	1	1		
4	15332-GF6-000	ROTOR, OIL PUMP OUTER	1	1	1	1	1		
5	15421-035-010	SCREEN, OIL FILTER	1	1	1	1	1		
6	90702-KFM-900	DOWEL PIN, 8X12	2	2	2	2	2		
7	93301-05012-0J	BOLT, HEX., 5X12	2	2	2	2	2		
8	94540-06018	E-RING, 6MM	1	1	1	1	1		
9	95701-06035-00	BOLT, FLANGE, 6X35	3	3	3	3	3		
10	96220-40238	ROLLER, 4X23.8	1	1	1	1	1		
	91105-KTM-970	-	1	1	1	1		



Ref. No.	L.O.N.	(Relative ref. Number) Description	F.R.T.
1	1101A6	COVER, CRANKCASE :LEFT	0.4
	1101A6C	. '07 model add	0.1
	1101P4	COVER, CRANKCASE(A) :LEFT	0.4
		.NOTE: '08- model	
2	1101B0	COVER, CRANKCASE :LEFT REAR ..	0.1
3	1101A3	GASKET, CRANKCASE COVER :LEFT	0.3
	1101A3C	. '07 model add	0.1
	1101P5	GASKET, CRANKCASE COVER (A) :LEFT	0.3
		.NOTE: '08- model	

Ref. No.	Part No.	Description	Reqd. QTY					Serial No.	Parts catalogue code
			ANF125MR				AFP125		
			5/M5	7/M7	8/M8	9/M9	A		
1	11341-KPH-900	COVER, L. CRANKCASE	1	-	-	-	-		
	11341-KPH-700	-	1	1	1	1		
2	11360-KPH-900	COVER COMP., L. RR.	1	1	-	1	-		
	11360-KTM-640	COVER, L. RR. CRANKCASE	-	-	1	-	-	-----	----- MA, MMA
			-	-	-	-	1	-----	----- 2MA
3	11395-KPH-900	GASKET, L. CRANKCASE COVER ..	1	1	1	1	-		
	11395-KPH-901	-	-	-	-	1		
4	16236-GBG-900	CLAMP, OVER FLOW PIPE	1	1	1	1	1		
5	90084-428-000	CAP, A.C. GENERATOR	1	1	1	1	1		
6	90087-KGH-900	CAP, 30MM	1	1	1	1	1		
7	90702-KFM-900	DOWEL PIN, 8X12	2	2	2	2	2		
8	91303-377-000	O-RING, 13.8X2.5	1	1	1	1	1		
9	91356-KGH-901	O-RING, 30MM	1	1	1	1	1		
10	96001-06022-00	BOLT, FLANGE, 6X22	2	-	-	-	-		
	96001-06025-00	BOLT, FLANGE, 6X25	-	2	2	2	2		
11	96001-06028-00	BOLT, FLANGE, 6X28	2	2	2	2	2		
12	96001-06035-00	BOLT, FLANGE, 6X35	6	6	6	6	6		





Ref. No.	L.O.N.	(Relative ref. Number) Description	F.R.T.
1	613105	ROTOR OR FLYWHEEL	0.5
	613105J	. '07 model add	0.1
	6131C6	ROTOR OR FLYWHEEL(A)	0.5
		.NOTE: '08- model	
2	6131A3	STATOR	0.5
	6131A3H	. '07 model add	0.1
	6131C7	STATOR(A)	0.5
		.NOTE: '08- model	

FR. ←

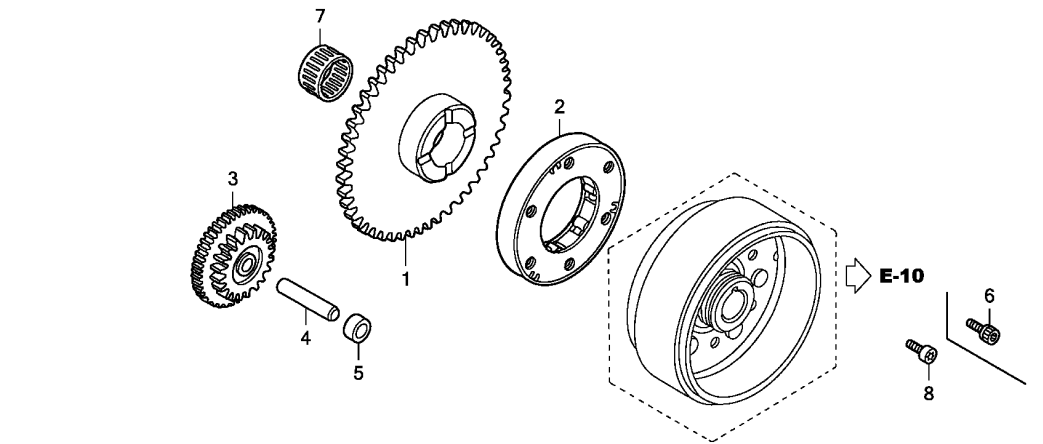
KTM8-E1000

Ref. No.	Part No.	Description	Reqd. QTY					Serial No.	Parts catalogue code
			ANF125MR				AFP125		
			5/M5	7/M7	8/M8	9/M9	A		
1	31110-KPW-912	FLYWHEEL COMP. (DENSO)	1	1	1	1	-	-----	MA
	31110-KPW-901	FLYWHEEL COMP. (MITSUBA)	1	-	-	-	-	-----	MMA
	31110-KTM-841	FLYWHEEL COMP.	-	1	1	1	-	-----	MMA
	31110-KPG-T01	-	-	1	-	1	-----	KCSMA,KSMA,2MA
	31110-KPY-711	-	-	-	-	1	-----	MCSMA
2	31120-KPW-912	STATOR COMP. (DENSO)	1	-	-	-	-	-----	MA
	31120-KPW-901	STATOR COMP. (MITSUBA)	1	-	-	-	-	-----	MMA
	31120-KTM-962	STATOR COMP.	-	1	1	1	-	-----	MA
	31120-KTM-951	-	1	1	1	-	-----	MMA
	31120-KVL-T10	-	-	1	-	1	-----	KCSMA,KSMA,2MA
	31120-KVL-T01	-	-	-	-	1	-----	MCSMA
3	32961-KPH-900	CLAMPER, A.C. GENERATOR CORD	1	-	-	-	-	-----	
4	90439-SB2-010	WASHER, SPECIAL, 24X12X2.3 ..	1	1	1	1	1	-----	
5	94050-12000	NUT, FLANGE, 12MM	1	1	1	1	1	-----	
6	96001-06014-00	BOLT, FLANGE, 6X14	2	-	-	-	-	-----	
	96001-06016-00	BOLT, FLANGE, 6X16	-	2	2	2	2	-----	
	96001-06022-00	BOLT, FLANGE, 6X22	2	2	2	2	2	-----	

E-11

STARTING CLUTCH

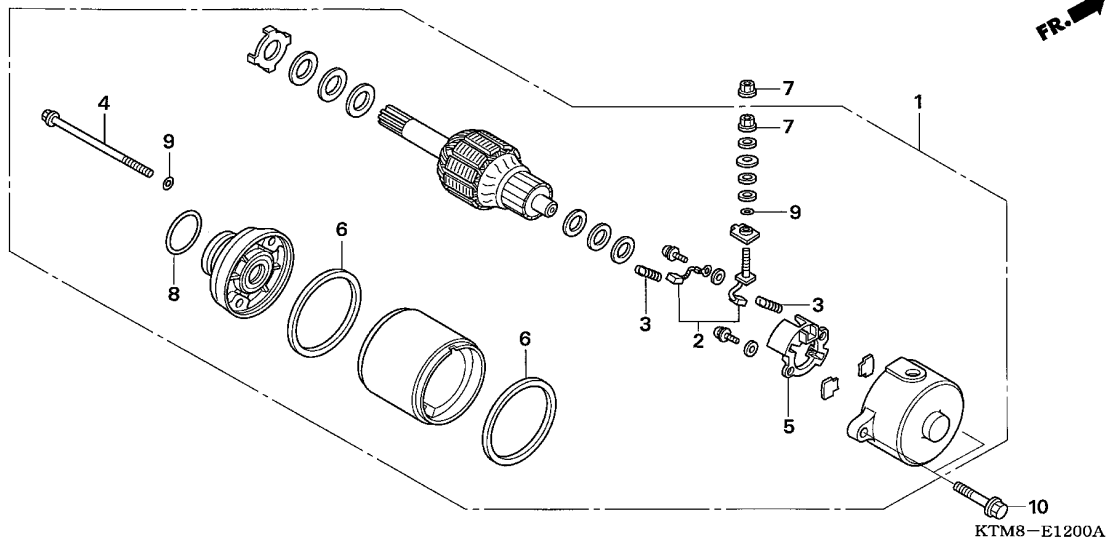
G 1



Ref. No.	L.O.N.	(Relative ref. Number) Description	F.R.T.
1	612120	GEAR, STARTER DRIVEN	0.4
	612120G	. '07 model add	0.1
	6121C4	GEAR, STARTER DRIVEN(A)	0.4
		.NOTE: '08- model	
2	6121A2	CLUTCH, STARTING ONE WAY	0.5
	6121A2C	. '07 model add	0.1
	6121C3	CLUTCH, STARTING ONE WAY(A) ..	0.5
		.NOTE: '08- model	
3	612125	GEAR, STARTER REDUCTION	0.3
	612125G	. '07 model add	0.1
	6121C5	GEAR, STARTER REDUCTION(A) ...	0.3
		.NOTE: '08- model	

Ref. No.	Part No.	Description	Reqd. QTY					Serial No.	Parts catalogue code
			ANF125MR 5/M5	7/M7	8/M8	9/M9	AFP125 KCS/KS MCS A		
1	28110-KPH-900	GEAR COMP., STARTER DRIVEN (57T)	1	-	-	-	-	-----	MMA
	28110-KPH-700	-	1	1	1	1	-----	MCSMA, MMA
2	28120-KPH-901	CLUTCH ASSY., ONE WAY (SDK) -	1	-	-	-	-	-----	MMA
	28120-KPH-701	CLUTCH ASSY., ONE WAY (EXEDY)	-	1	1	1	1	-----	MCSMA, MMA
3	28131-KPH-880	GEAR, STARTER REDUCTION (17T/55T)	1	1	1	1	1	-----	MCSMA, MMA
4	28132-KPH-900	SHAFT, REDUCTION GEAR	1	1	1	1	1	-----	MCSMA, MMA
5	28133-KPH-900	COLLAR, STARTER REDUCTION ...	1	1	1	1	1	-----	MCSMA, MMA
6	90010-KM1-000	BOLT, SOCKET, 8X18	3	-	-	-	-	-----	MMA
7	91071-KPH-901	BEARING, NEEDLE, 21X25X17 ...	1	1	1	1	1	-----	MCSMA, MMA
8	90085-413-781	BOLT, SOCKET, 6MM	-	6	6	6	6	-----	MCSMA, MMA

2

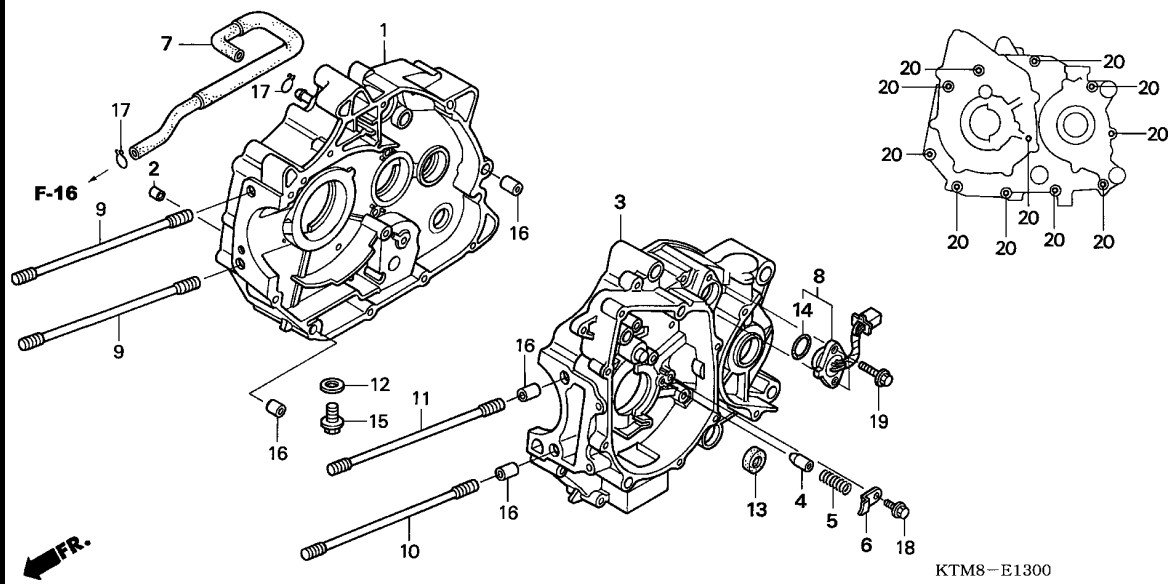
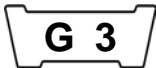


Ref. No.	L.O.N.	(Relative ref. Number) Description	F.R.T.
1	612105	MOTOR, STARTING	0.7
	612105F	. '07 model add	0.8
	6121D0	MOTOR, STARTING(A)	0.6
		.NOTE: '08- model	
2	6121A4	TERMINAL, BRUSH(STARTER)	0.9
	6121A4F	. '07 model add	0.1
	6121D2	TERMINAL, BRUSH(STARTER) (A)	0.8
		.NOTE: '08- model	
5	6121A5	HOLDER, BRUSH(STARTER)	0.9
	6121A5F	. '07 model add	0.1
	6121D2	TERMINAL, BRUSH(STARTER) (A)	0.8
		.NOTE: '08- model	

Ref. No.	Part No.	Description	Reqd. QTY					Serial No.	Parts catalogue code
			ANF125MR	AFP125	KCS/KS				
			5/M5	7/M7	8/M8	9/M9	A		
1	31200-KPW-901	MOTOR ASSY., STARTING	1	1	1	1	1	-----	MCSMA, MMA
2	31201-KPW-901	TERMINAL SET, BRUSH	1	1	1	1	1	-----	MCSMA, MMA
3	31204-KG8-004	SPRING, CARBON BRUSH	2	2	2	2	2	-----	MCSMA, MMA
4	31205-KPW-901	BOLT, SETTING	2	2	2	2	2	-----	MCSMA, MMA
5	31206-KPW-901	HOLDER SET, BRUSH	1	1	1	1	1	-----	MCSMA, MMA
6	31207-MBE-008	RING	2	2	2	2	2	-----	MCSMA, MMA
7	90071-MB0-000	NUT-WASHER, 6MM	2	2	2	2	2	-----	MCSMA, MMA
8	91309-425-003	O-RING, 24.4X3.1(ARAI)	1	1	1	1	1	-----	MCSMA, MMA
9	91320-MB0-000	O-RING	3	3	3	3	3	-----	MCSMA, MMA
10	95701-06025-00	BOLT, FLANGE, 6X25	2	2	2	2	2	-----	MCSMA, MMA

E-13

CRANKCASE



Ref. No.	L.O.N.	(Relative ref. Number) Description	F.R.T.
1	110120	CRANKCASE :RIGHTINCLUDES: Engine removal and installation	4.9
	110120F	.'07 model add	0.2
	1101P1	CRANKCASE(A) :RIGHTINCLUDES: Engine removal and installation .NOTE: '08- model	4.8
	1101A2	CRANKCASE :BOTHINCLUDES: Engine removal and installation	5.4
	1101A2J	.'07 model add	0.2
	1101P0	CRANKCASE(A) :BOTHINCLUDES: Engine removal and installation .NOTE: '08- model	5.3
3	110115	CRANKCASE :LEFTINCLUDES: Engine removal and installation	4.6
	110115J	.'07 model add	0.2
	1101N9	CRANKCASE(A) :LEFTINCLUDES: Engine removal and installation .NOTE: '08- model	4.5
8	615125	SWITCH, GEAR CHANGE	0.3

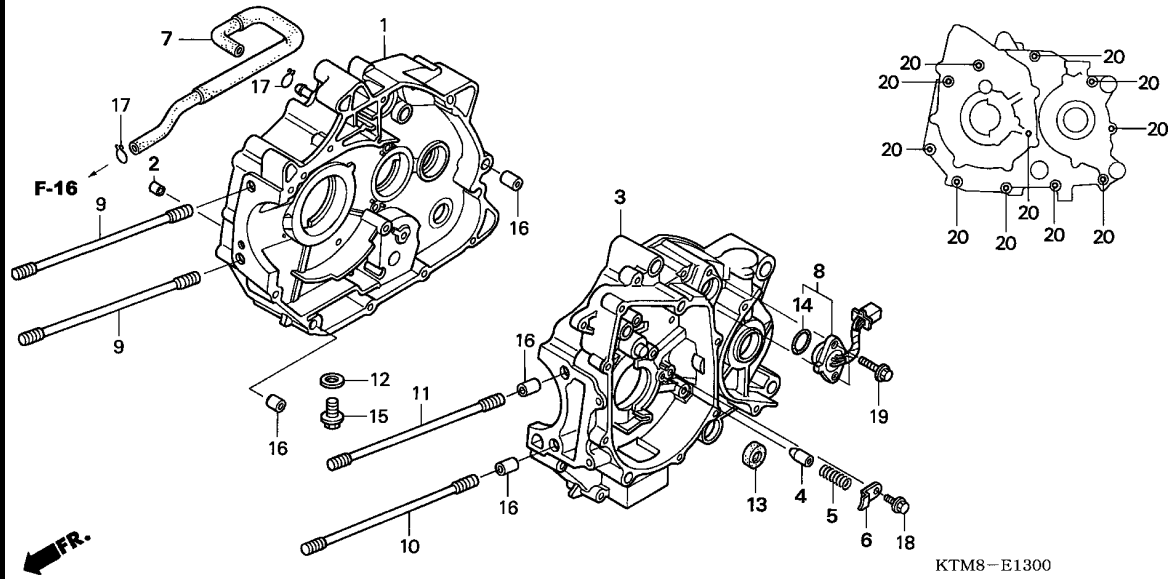


Ref. No.	Part No.	Description	Reqd. QTY					Serial No.	Parts catalogue code
			ANF125MR	AFP125	KCS/KS	MCS	A		
			5/M5	7/M7	8/M8	9/M9			
1	11100-KPH-900	CRANKCASE COMP., R.	1	-	1	1	1	----- MCSMA,MMA	
	11100-KPH-910	1	-	1	1	1	----- KCSMA,KSMA,MA,2MA	
	11100-KPH-700	-	1	-	-	-	----- MMA	
	11100-KPH-710	-	1	-	-	-	----- MA	
2	11133-KPH-900	JET, OIL, 0.8MM	1	1	1	1	1	-----	
3	11200-KPW-900	CRANKCASE COMP., L.	1	-	-	-	-	----- MMA	
	11200-KPW-910	1	-	-	-	-	----- MA	
	11200-KTM-640	-	1	-	-	-	----- MMA	
	11200-KTM-730	-	1	-	-	-	----- MA	
	11200-KPW-901	-	-	1	1	1	----- MCSMA,MMA	
	11200-KPW-911	-	-	1	1	1	----- KCSMA,KSMA,MA,2MA	
4	11215-KPH-900	PLUG, BEARING PUSH	1	1	1	1	1	-----	
5	11216-KPH-900	SPRING, BEARING PUSH	1	1	1	1	1	-----	
6	11217-KPH-900	PLATE, BEARING	1	1	1	1	1	-----	
7	15761-KPH-900	TUBE, BREATHER	1	-	-	-	-	-----	
	15761-KPH-970	-	1	1	1	1	-----	
8	35750-KPH-900	SWITCH SET, CHANGE	1	1	1	1	1	-----	
9	90031-KPH-900	BOLT, CYLINDER STUD, 8X203 ..	2	2	2	2	2	-----	
10	90032-KPH-900	BOLT, CYLINDER STUD, 8X210 ..	1	1	1	1	1	-----	
11	90033-KPH-900	BOLT, CYLINDER STUD, 8X210 ..	1	1	1	1	1	-----	
12	90407-259-000	PACKING, DRAIN COCK, 12.5X20	1	1	1	1	1	-----	
13	91208-KPH-901	OIL SEAL, 11.6X24X10(ARAI) ..	1	1	1	1	1	-----	
14	91305-KPH-900	O-RING, 19.4X2.3	1	1	1	1	1	-----	
15	92800-12000	BOLT, DRAIN PLUG, 12MM	1	1	1	1	1	-----	
16	94301-10120	DOWEL PIN, 10X12	4	4	4	4	4	-----	

E-13

CRANKCASE

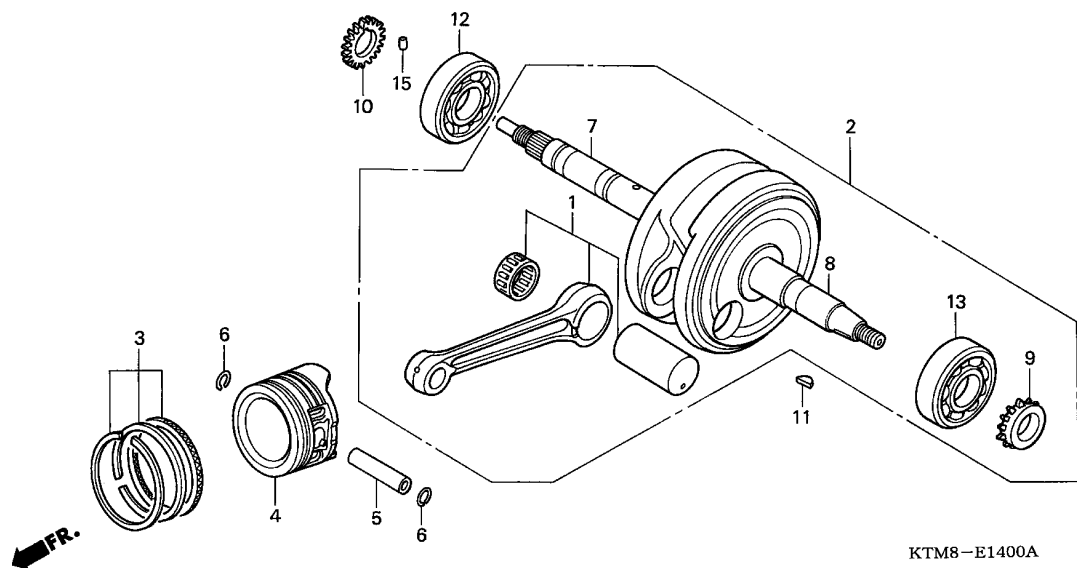
G 4



Ref. No.	L.O.N.	(Relative ref. Number) Description	F.R.T.
13	1101F9	OIL SEAL, GEARSHIFT SPINDLE ..	1.2
	1101F9B	.'07 model add	0.1
	1101S1	OIL SEAL, GEARSHIFT SPINDLE(A)	1.1
.NOTE: '08- model			

Ref. No.	Part No.	Description	Reqd. QTY					Serial No.	Parts catalogue code
			ANF125MR	AFP125	KCS/KS				
			5/M5	7/M7	8/M8	9/M9	A		
17	95002-70000	CLIP, TUBE (C11)	2	-	-	-	-		
	95002-80000	CLIP, TUBE (C12)	-	2	2	2	2		
18	95701-06014-00	BOLT, FLANGE, 6X14	1	1	1	1	1		
19	95701-06016-00	BOLT, FLANGE, 6X16	2	2	2	2	2		
20	96001-06060-00	BOLT, FLANGE, 6X60	11	11	11	11	11		

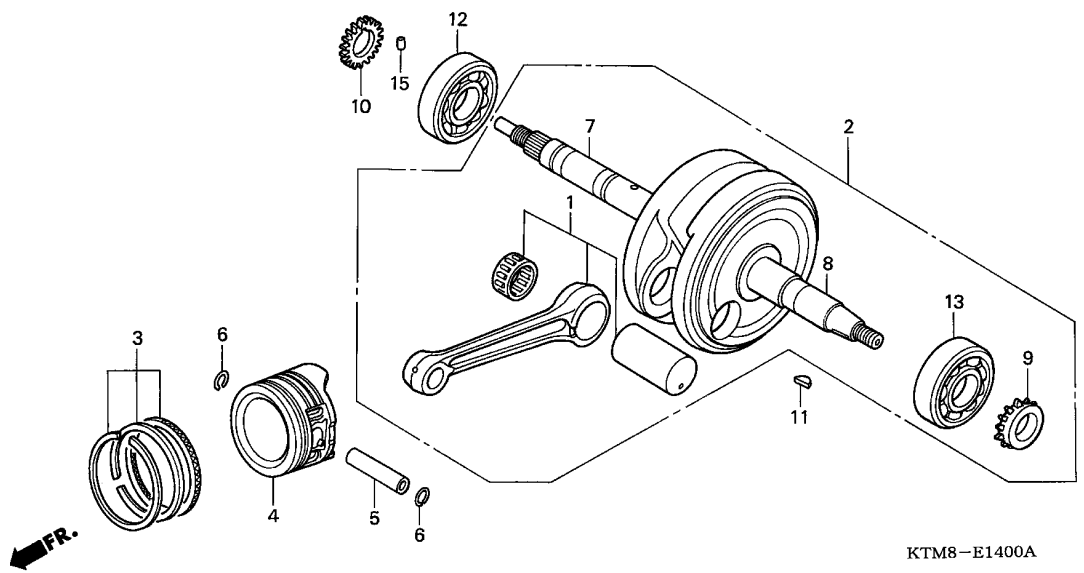
2



Ref. No.	L.O.N.	(Relative ref. Number) Description	F.R.T.
2	1101B5	CRANKSHAFTINCLUDES: Engine removal and installation	4.7
	1101B5U	.'07 model add	0.2
	1101N6	CRANKSHAFT(A)INCLUDES: Engine removal and installation .NOTE: '08- model (3,5,6)	4.6
4	111103	RING, PISTON AND/OR PISTON (ONE)	1.5
	111103P	.'07 model add	0.1
	1111BS	RING, PISTON AND/OR PISTON (ONE) (A)	1.4
		.NOTE: '08- model	
12	1101B7	BEARING, CRANKSHAFT :RIGHTINCLUDES: Engine removal and installation	4.6
	1101B7B	.'07 model add	0.2
	1101P7	BEARING, CRANKSHAFT(A):RIGHT .INCLUDES: Engine removal and installation	4.5
		.NOTE: '08- model	
+	1101G0	BEARING, CRANKSHAFT :BOTH	5.0

Ref. No.	Part No.	Description	Reqd. QTY					Serial No.	Parts catalogue code
			ANF125MR				AFP125		
			5/M5	7/M7	8/M8	9/M9	KCS/KS	MCS	
1	06381-KPH-900	ROD KIT, CONNECTING	1	1	1	1	1	1	
2	13000-KPH-900	CRANKSHAFT COMP.	1	-	-	-	-	1	
	13000-KVL-910	-	1	1	1	-	-	
3	13011-KPH-900	RING SET, PISTON (STD.)	1	-	-	-	-	-	
	13021-KPH-900	RING SET, PISTON (0.25)	(1)	-	-	-	-	-	
	13031-KPH-900	RING SET, PISTON (0.50)	(1)	-	-	-	-	-	
	13041-KPH-900	RING SET, PISTON (0.75)	(1)	-	-	-	-	-	
	13051-KPH-900	RING SET, PISTON (1.00)	(1)	-	-	-	-	-	
	13011-KTM-980	RING SET, PISTON (STD.)	-	1	1	1	1	1	
	13021-KTM-980	RING SET, PISTON (0.25)	-	(1)	(1)	(1)	(1)	(1)	
	13031-KTM-980	RING SET, PISTON (0.50)	-	(1)	(1)	(1)	(1)	(1)	
	13041-KTM-980	RING SET, PISTON (0.75)	-	(1)	(1)	(1)	(1)	(1)	
	13051-KTM-980	RING SET, PISTON (1.00)	-	(1)	(1)	(1)	(1)	(1)	
4	13101-KPH-900	PISTON (STD.)	1	-	-	-	-	-	
	13101-KPH-700	-	1	1	1	1	1	
	13102-KPH-305	PISTON (0.25)	(1)	(1)	(1)	(1)	(1)	(1)	
	13103-KPH-305	PISTON (0.50)	(1)	(1)	(1)	(1)	(1)	(1)	
	13104-KPH-305	PISTON (0.75)	(1)	(1)	(1)	(1)	(1)	(1)	
	13105-KPH-305	PISTON (1.00)	(1)	(1)	(1)	(1)	(1)	(1)	
5	13111-087-000	PIN, PISTON	1	1	1	1	1	1	
6	13115-GN5-910	CLIP, PISTON PIN, 13MM	2	2	2	2	2	2	
7	13310-KPH-900	CRANKSHAFT COMP., R.	1	1	1	1	1	1	
8	13321-KPH-900	CRANKSHAFT, L.	1	1	1	1	1	1	
9	14311-KPH-900	SPROCKET, TIMING (17T)	1	1	1	1	1	1	
10	15341-KPH-900	GEAR, OIL PUMP DRIVE (19T) ..	1	1	1	1	1	1	
11	90741-003-010	KEY, WOODRUFF, 4MM	1	1	1	1	1	1	

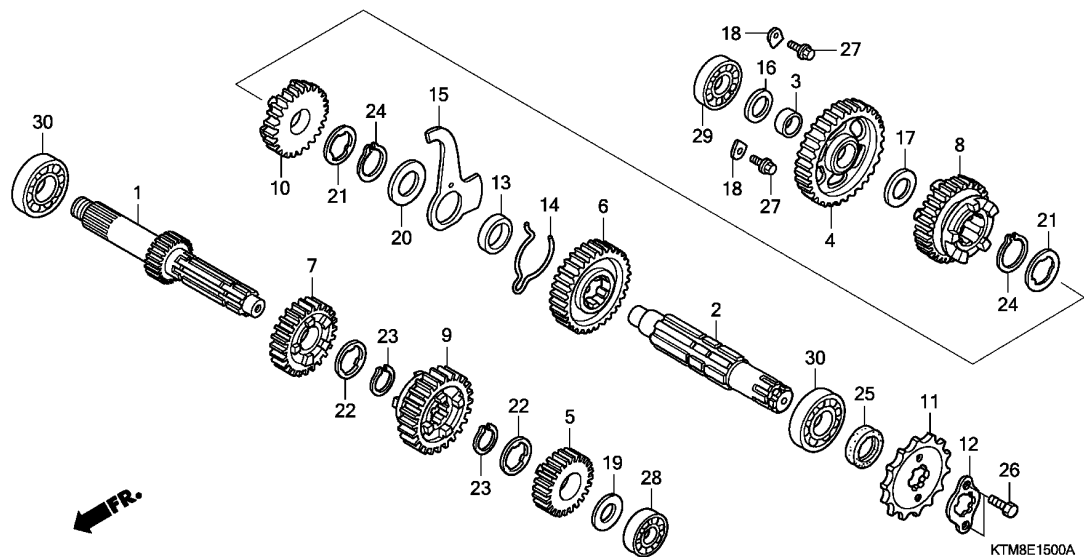




Ref. No.	L.O.N.	(Relative ref. Number) Description	F.R.T.
+12		.INCLUDES: Engine removal and installation .INCLUDES: Timing sprocket	
1101G0F		.'07 model add	0.2
1101P8		BEARING, CRANKSHAFT(A) :BOTH .INCLUDES: Engine removal and installation .NOTE: '08- model (9)	4.9
13			
1101B6		BEARING, CRANKSHAFT :LEFTINCLUDES: Engine removal and installation .INCLUDES: Timing sprocket	5.0
1101B6C		.'07 model add	0.2
1101P6		BEARING, CRANKSHAFT(A) :LEFT .INCLUDES: Engine removal and installation .NOTE: '08- model	4.9

KTM8-E1400A

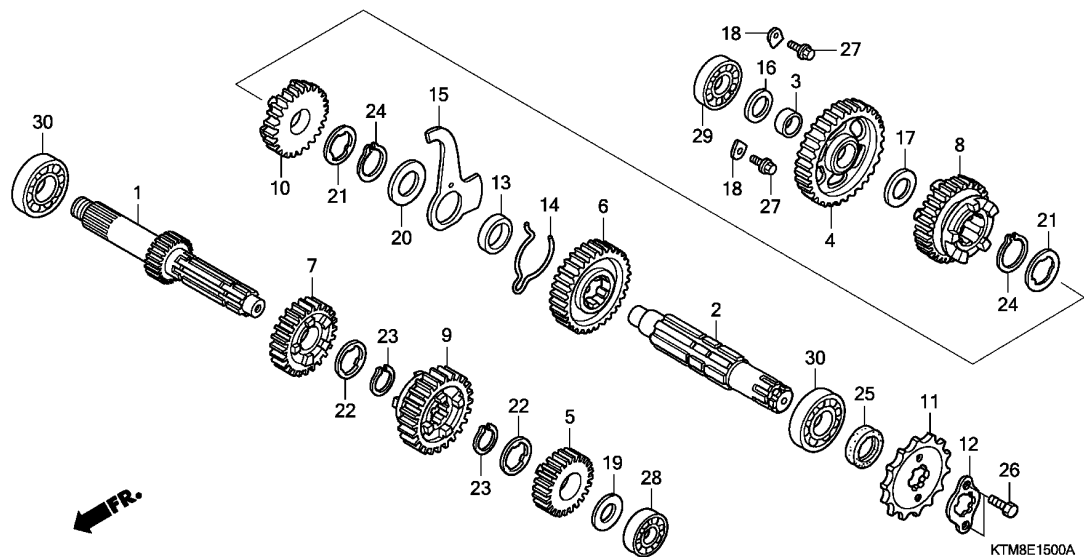
Ref. No.	Part No.	Description	Reqd. QTY					Serial No.	Parts catalogue code
			ANF125MR 5/M5	7/M7	8/M8	9/M9	AFP125 KCS/KS MCS A		
12	91001-KPH-901	BEARING, RADIAL BALL, 63/22 (FUJIKOSHI)	1	-	-	-	1		
	91001-KPH-W00	BEARING, RADIAL BALL, 63/22	-	1	1	1	-		
	91001-KWB-601	BEARING, RADIAL BALL, 63/22 (NTN)	-	-	-	-	1		
13	91002-KPH-901	BEARING, RADIAL BALL, 63/22 (FUJIKOSHI)	1	-	-	-	1		
	91002-KPH-W00	BEARING, RADIAL BALL, 63/22	-	1	1	1	-		
	91002-KPH-881	BEARING, RADIAL BALL, 63/22 (SKF)	1	-	-	-	1		
15	94303-03050	DOWEL PIN, 3X5	1	1	1	1	1		



Ref. No.	L.O.N.	(Relative ref. Number) Description	F.R.T.
1		(5,7,9)	
210141		MAINSHAFT, TRANSMISSIONINCLUDES: Engine removal and installation	4.1
210141A		.Replace countershaft add	0.2
210141K		.'07 model add	0.2
2101J3		MAINSHAFT, TRANSMISSION(A)INCLUDES: Engine removal and installation .NOTE: '08- model	4.0
2101J3A		.Replace countershaft add (4,6,8,10)	0.2
2		(4,6,8,10)	
210142		COUNTERSHAFT, TRANSMISSIONINCLUDES: Engine removal and installation	4.1
210142A		.Replace mainshaft add	0.2
210142L		.'07 model add	0.2
2101J4		COUNTERSHAFT, TRANSMISSION(A)INCLUDES: Engine removal and installation .NOTE: '08- model	4.0
2101J4A		.Replace mainshaft add	0.2
11		213135 SPROCKET, DRIVE	0.2
+28		2101C2 BEARING, MAINSHAFT :LEFT	4.1

Ref. No.	Part No.	Description	Reqd. QTY					Serial No.	Parts catalogue code
			ANF125MR 5/M5	7/M7	8/M8	9/M9	AFP125 KCS/KS MCS A		
1	23211-KPH-900	MAINSHAFT (14T)	1	1	1	1	1		
2	23221-KPH-900	COUNTERSHAFT	1	1	1	1	1		
3	23415-KPH-900	BUSH, 15MM	1	1	1	1	1		
4	23421-KPH-900	GEAR, COUNTERSHAFT FIRST (35T)	1	1	1	1	1		
5	23431-KPH-900	GEAR, MAINSHAFT SECOND (20T)	1	-	-	-	-		
	23431-KPH-700	-	1	1	1	1		
6	23441-KPH-900	GEAR, COUNTERSHAFT SECOND (31T)	1	1	1	1	1		
7	23451-KPH-900	GEAR, MAINSHAFT THIRD (20T) .	1	-	-	-	-		
	23451-KPH-700	-	1	1	1	1		
8	23461-KPH-900	GEAR, COUNTERSHAFT THIRD (23T)	1	1	1	1	1		
9	23471-KPH-901	GEAR, MAINSHAFT FOURTH (26T)	1	-	-	-	-		
	23471-KPH-700	-	1	1	1	1		
10	23481-KPH-900	GEAR, COUNTERSHAFT FOURTH (24T)	1	-	-	-	-		
	23481-KPH-700	-	1	1	1	1		
11	23801-KPH-900	SPROCKET, DRIVE (14T)	1	1	1	1	1		
12	23802-GN5-910	PLATE, FIXING	1	1	1	1	1		
13	23911-KPH-900	COLLAR, LOCK PLATE	1	1	1	1	1		
14	24305-KPH-900	SPRING, CHANGE FRICTION	1	1	1	1	1		
15	24306-KPH-900	PLATE, DRUM LOCK	1	1	1	1	1		
16	90412-KPH-900	WASHER, SPECIAL, 12X23	1	1	1	1	1		
17	90412-187-000	WASHER, THRUST, 15MM	1	1	1	1	1		
18	90441-KA4-700	PLATE, BEARING HOLDER	2	2	2	2	-		
	90441-KRM-840	-	-	-	-	2		

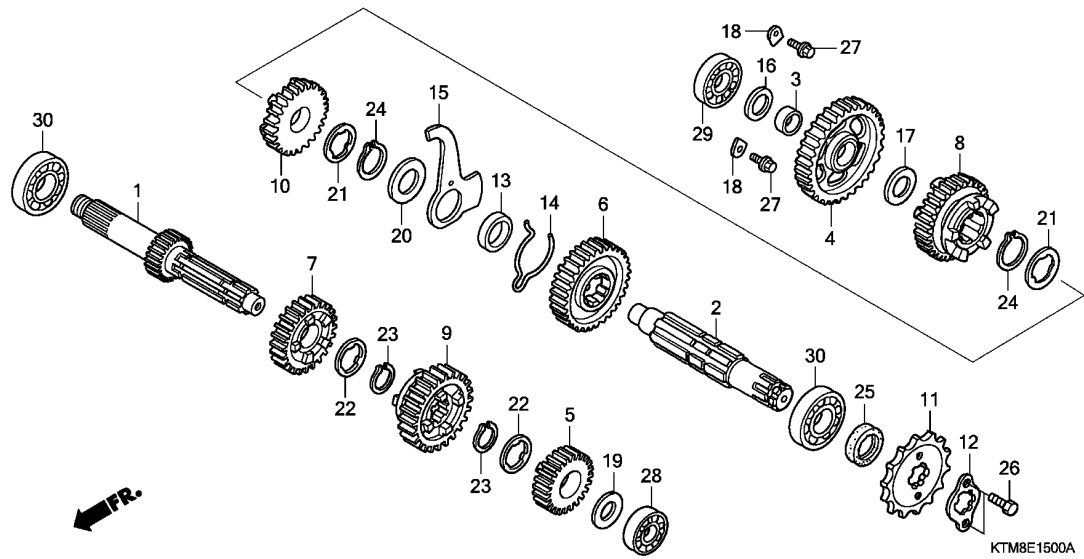




Ref. No.	L.O.N.	(Relative ref. Number) Description	F.R.T.
+28		.INCLUDES: Engine removal and installation	
2101C2F		.'07 model add	0.2
2101C6		BEARING, MAINSHAFT :BOTH	4.3
		.INCLUDES: Engine removal and installation	
2101C6H		.'07 model add	0.2
2101M3		BEARING, MAINSHAFT(A) :LEFT ..	4.0
		.INCLUDES: Engine removal and installation	
		.NOTE: '08- model	
2101L9		BEARING, MAINSHAFT(A) :BOTH ..	4.2
		.INCLUDES: Engine removal and installation	
		.NOTE: '08- model	
2101D4		BEARING, MAINSHAFT AND COUNTERSHAFT :ALL	4.5
		.INCLUDES: Engine removal and installation	
2101D4H		.'07 model add	0.2
2101M0		BEARING, MAINSHAFT AND COUNTERSHAFT(A) :ALL	4.4
		.INCLUDES: Engine removal and installation	
		.NOTE: '08- model	

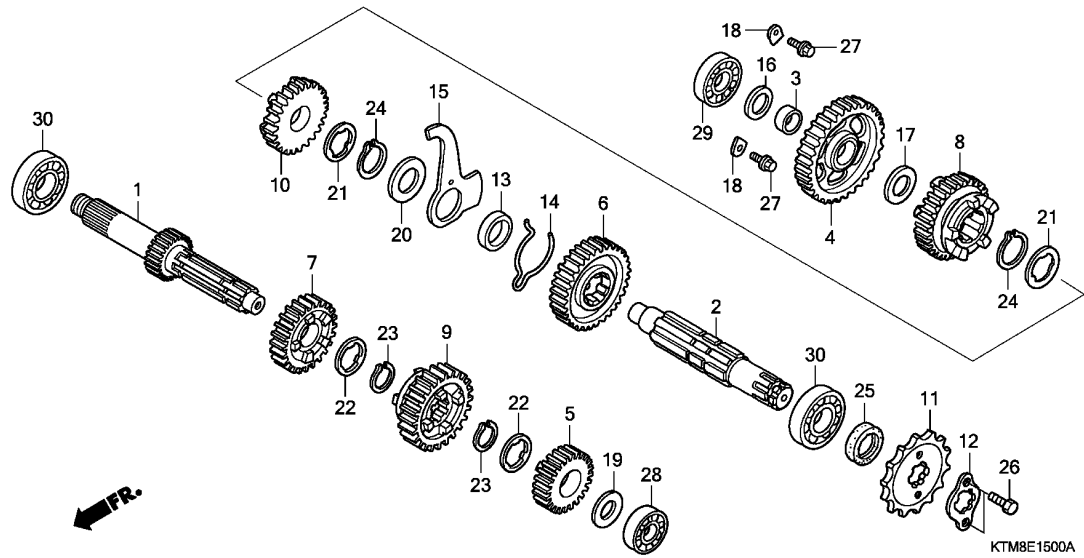
Ref. No.	Part No.	Description	Reqd. QTY					Serial No.	Parts catalogue code
			ANF125MR	AFP125	KCS/KS				
			5/M5	7/M7	8/M8	9/M9	A		
19	90452-KGH-900	WASHER, SPECIAL, 12MM	1	1	1	1	1		
20	90452-413-000	WASHER, THRUST, 20MM	1	1	1	1	1		
21	90461-GB4-770	WASHER, SPLINE, 20X1.2	2	2	2	2	2		
22	90461-115-000	WASHER, SPLINE, 17MM	2	2	2	2	2		
23	90601-001-000	CIRCLIP, EXTERNAL, 17MM	2	2	2	2	2		
24	90605-200-000	SET RING, 20MM	2	2	2	2	2		
25	91204-KPH-901	OIL SEAL, 17X30X5	1	1	1	1	1		
26	92101-06010-0A	BOLT, HEX., 6X10	2	2	2	2	2		
27	95701-06014-00	BOLT, FLANGE, 6X14	2	2	2	2	2		
28	96100-60010-00	BEARING, RADIAL BALL, 6001 ..	1	1	1	1	1		
29	96100-62010-00	BEARING, RADIAL BALL, 6201 ..	1	1	1	1	1		
30	96100-62030-00	BEARING, RADIAL BALL, 6203 ..	2	2	2	2	2		

2

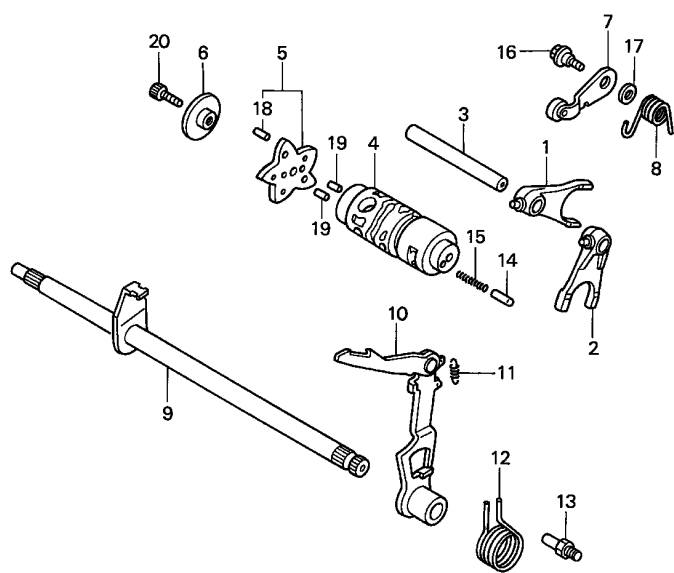


Ref. No.	L.O.N.	(Relative ref. Number) Description	F.R.T.
29	2101C8	BEARING, COUNTERSHAFT :RIGHT .INCLUDES: Engine removal and installation	4.1
	2101C8F	.'07 model add	0.2
	2101C9	BEARING, COUNTERSHAFT :BOTH .INCLUDES: Engine removal and installation	4.3
	2101C9F	.'07 model add	0.2
	2101M1	BEARING, COUNTERSHAFT(A) :RIGHT .INCLUDES: Engine removal and installation .NOTE: '08- model	4.0
	2101M2	BEARING, COUNTERSHAFT(A) :BOTH .INCLUDES: Engine removal and installation .NOTE: '08- model	4.2
30	2101C5	BEARING, MAINSHAFT :RIGHT .INCLUDES: Engine removal and installation	4.1
	2101C5E	.'07 model add	0.2
	2101L8	BEARING, MAINSHAFT(A) :RIGHT .INCLUDES: Engine removal and installation	4.0
		.NOTE: '08- model	





Ref. No.	L.O.N.	(Relative ref. Number) Description	F.R.T.
+30	2101C7	BEARING, COUNTERSHAFT :LEFT .. .INCLUDES: Engine removal and installation	4.1
	2101C7H	. '07 model add	0.2
	2101M4	BEARING, COUNTERSHAFT(A) :LEFT .INCLUDES: Engine removal and installation .NOTE: '08- model	4.0

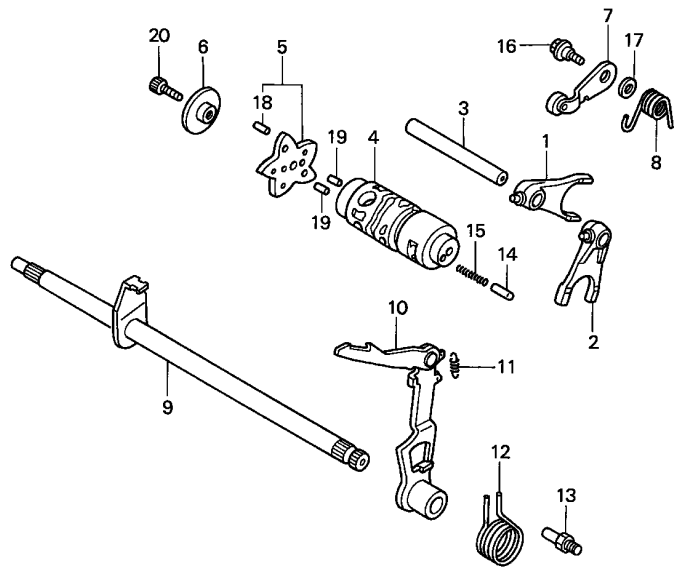


KT M8-E1600

Ref. No.	L.O.N.	(Relative ref. Number) Description	F.R.T.
1	(2,3)		
210112		FORK, GEARSHIFTINCLUDES: Engine removal and installation .NOTE: Same time for two units	4.1
210112G		'07 model add	0.2
2101M5		FORK, GEARSHIFT(A)INCLUDES: Engine removal and installation .NOTE: '08- model	4.0
4	2101A9	DRUM, GEARSHIFTINCLUDES: Engine removal and installation	4.1
2101A9G		'07 model add	0.2
2101M6		DRUM, GEARSHIFT(A)INCLUDES: Engine removal and installation .NOTE: '08- model	4.0
5	2101D6	PLATE, GEARSHIFT DRUM STOPPER	1.1
2101D6E		'07 model add	0.1
2101P5		PLATE, GEARSHIFT DRUM STOPPER (A)NOTE: '08- model	1.0
7	(8)		
+	210125	STOPPER OR SPRING, SHIFT DRUM	1.1

Ref. No.	Part No.	Description	Reqd. QTY					Serial No.	Parts catalogue code
			ANF125MR 5/M5	7/M7	8/M8	9/M9	AFP125 KCS/KS MCS A		
1	24211-KPH-900	FORK, R. GEARSHIFT	1	1	1	1	1		
2	24212-KPH-900	FORK, L. GEARSHIFT	1	1	1	1	1		
3	24241-KPH-900	SHAFT, GEARSHIFT FORK	1	1	1	1	1		
4	24301-KPH-900	DRUM, GEARSHIFT	1	1	1	1	1		
5	24410-KPH-900	PLATE COMP., GEARSHIFT DRUM STOPPER	1	1	1	1	1		
6	24421-KPH-900	HOLDER, DRUM STOPPER	1	1	1	1	1		
7	24430-KPH-900	STOPPER COMP., GEARSHIFT DRUM	1	-	-	-	-		
	24430-KPH-901	-	1	1	1	1		
8	24435-KPH-900	SPRING, SHIFT DRUM STOPPER ..	1	1	1	1	1		
9	24610-KPH-900	SPINDLE COMP., GEARSHIFT	1	1	1	1	1		
10	24630-KPH-900	ARM COMP., GEARSHIFT	1	1	1	1	1		
11	24641-KPH-900	SPRING, GEARSHIFT ARM	1	1	1	1	1		
12	24651-KPH-900	SPRING, GEARSHIFT RETURN	1	1	1	1	1		
13	24652-KPH-900	PIN, SHIFT RETURN SPRING	1	1	1	1	1		
14	35751-KPH-900	CAP, CHANGE SWITCH CONTACT ..	1	1	1	1	1		
15	35752-KPH-900	SPRING, CHANGE SWITCH CONTACT	1	1	1	1	1		
16	90022-MG8-000	PIVOT, SHIFT DRUM STOPPER ARM	1	1	1	1	1		
17	90435-HB3-000	WASHER, 6.1MM	1	1	1	1	1		
18	91111-KW7-900	ROLLER, 4X10.8	5	5	5	5	5		
19	96220-30085	ROLLER, 3X8.5	2	2	2	2	2		
20	96700-06016-00	BOLT, SOCKET, 6X16	1	1	1	1	1		

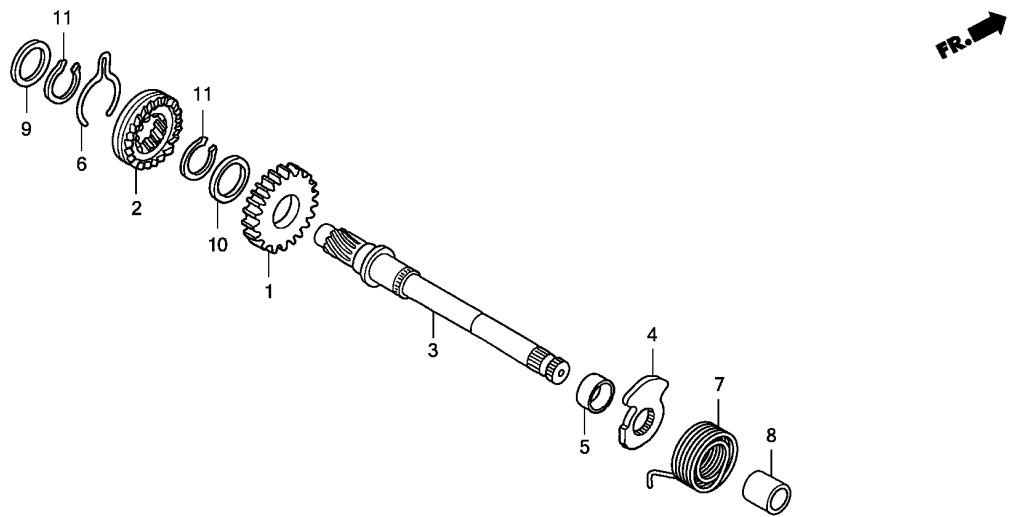




←FR.

KTM8-E1600

Ref. No.	L.O.N.	(Relative ref. Number) Description	F.R.T.
+ 7	210125G	.'07 model add	0.1
	2101P6	STOPPER OR SPRING, SHIFT DRUM (A)	1.0
		.NOTE: '08- model	
9	210122	SPINDLE, GEARSHIFT	1.2
	210122G	.'07 model add	0.1
	2101P7	SPINDLE, GEARSHIFT(A)	1.1
		.NOTE: '08- model (11,12)	
10	210127	ARM, GEARSHIFT	1.2
	2101R1	ARM, GEARSHIFT(A)	1.3
		.NOTE: '07 model	
	2101R2	ARM, GEARSHIFT(B)	1.1
		.NOTE: '08- model	

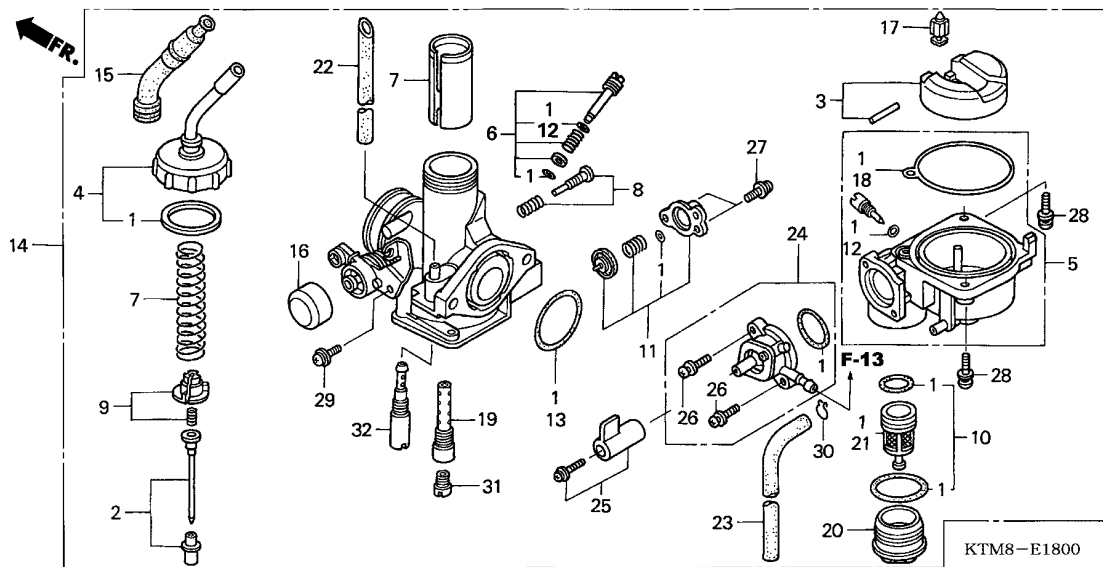


KTMBE1700A

Ref. No.	L.O.N.	(Relative ref. Number) Description	F.R.T.
1	1121A0	PINION, KICK STARTERINCLUDES: Engine removal and installation	4.0
	1121C6	PINION, KICK STARTER(A)INCLUDES: Engine removal and installation .NOTE: '07 model	4.2
	1121C7	PINION, KICK STARTER(B)INCLUDES: Engine removal and installation .NOTE: '08- model	3.9
3	1121A2	SPINDLE, KICK STARTERINCLUDES: Engine removal and installation	4.0
	1121C1	SPINDLE, KICK STARTER(A)INCLUDES: Engine removal and installation .NOTE: '07 model	4.2
	1121C8	SPINDLE, KICK STARTER(B)INCLUDES: Engine removal and installation .NOTE: '08- model	3.9
7	112103	SPRING, KICK STARTER RETURN ..	0.7

Ref. No.	Part No.	Description	Reqd. QTY					Serial No.	Parts catalogue code
			ANF125MR 5/M5	7/M7	8/M8	9/M9	AFP125 KCS/KS MCS A		
1	28211-KPH-900	PINION, KICK STARTER (27T) ..	1	1	1	1	1		
2	28221-KPH-900	RATCHET, STARTER DRIVE	1	1	1	1	1		
3	28251-KPH-900	SPINDLE, KICK STARTER	1	1	1	1	1		
4	28262-KPH-900	RETAINER, KICK SPRING	1	1	1	1	1		
5	28265-KPH-900	COLLAR, KICK RETAINER	1	1	1	1	1		
6	28271-KPH-900	SPRING, STARTER PINION FRICITION	1	1	1	1	1		
7	28281-KPH-900	SPRING, KICK RETURN	1	1	1	1	1		
8	28282-KPH-900	COLLAR, KICK SPRING	1	1	1	1	1		
9	90452-KPH-900	WASHER, THRUST, 15.5MM	1	1	1	1	1		
10	90454-KPH-900	WASHER, 25X20.2X1	1	1	1	1	1		
11	90605-200-000	SET RING, 20MM	2	2	2	2	2		
	90605-KPS-900	2	2	2	2	2		





Ref. No.	L.O.N.	(Relative ref. Number) Description	F.R.T.
2	3111A3	NEEDLE, JET	0.7
	3111A3E	. '07 model add	0.1
	3111N0	NEEDLE, JET(A)	0.6
		.NOTE: '08- model (17)	
3	311120	FLOAT OR FLOAT VALVE	0.6
	311120D	. '07 model add	0.1
	3111P6	FLOAT OR FLOAT VALVE(A)	0.5
		.NOTE: '08- model	
4	3111A5	TOP SET, CARBURETOR	0.2
5	3111A6	CHAMBER, FLOAT	0.5
	3111A6E	. '07 model add	0.1
	3111P8	CHAMBER, FLOAT(A)	0.4
		.NOTE: '08- model	
7	3111A8	VALVE, THROTTLE	0.3
11	3111B8	VALVE, AIR CUT	0.3
14	3111B5	CARBURETOR ASSEMBLY	0.6
	3111B5B	. '07 model add	0.1
	3111Q1	CARBURETOR ASSEMBLY(A)	0.5
		.NOTE: '08- model (19,32)	
31	3111D4	JET, MAIN	0.6
	3111D4E	. '07 model add	0.1
	3111P7	JET, MAIN(A)	0.5
		.NOTE: '08- model	

Ref. No.	Part No.	Description	Reqd. QTY					Serial No.	Parts catalogue code
			ANF125MR 5/M5	7/M7	8/M8	9/M9	AFP125 KCS/KS MCS A		
1	16010-KPW-H01	GASKET SET	1	1	1	1	1		
2	16012-KPH-901	NEEDLE SET, JET	1	1	-	1	-		
	16012-KVL-T01	-	-	1	-	-	MA, MMA ZMA	
3	16013-KPG-901	FLOAT SET	1	1	1	1	1		
4	16014-KPH-901	TOP SET	1	1	1	1	1		
5	16015-KPW-901	CHAMBER SET, FLOAT	1	1	1	1	1		
6	16016-KTM-881	SCREW SET	1	1	-	1	-		
	16016-KPH-901	-	-	1	-	-	MA, MMA ZMA	
7	16022-KPH-651	VALVE SET, THROTTLE	1	1	-	1	-		
	16022-KPW-901	-	-	1	-	-	MA, MMA ZMA	
8	16028-KPH-901	SCREW SET	1	1	1	1	1		
9	16037-KPH-901	PLATE SET, VALVE	1	1	1	1	1		
10	16040-GB0-911	GASKET SET B	1	1	1	1	1		
11	16048-KPH-901	VALVE SET, AIR CUT	1	1	1	1	1		
12	16075-GHB-640	O-RING, 1.3X4.3	2	2	2	2	2		
13	16075-KPH-901	O-RING	1	1	1	1	1		
14	16100-KTM-882	CARBURETOR ASSY. (APBF2D A) -	1	1	-	1	-		
	16100-KVL-M21	CARBURETOR ASSY. (APBF2H A) -	-	-	1	-	-	MA, MMA ZMA	

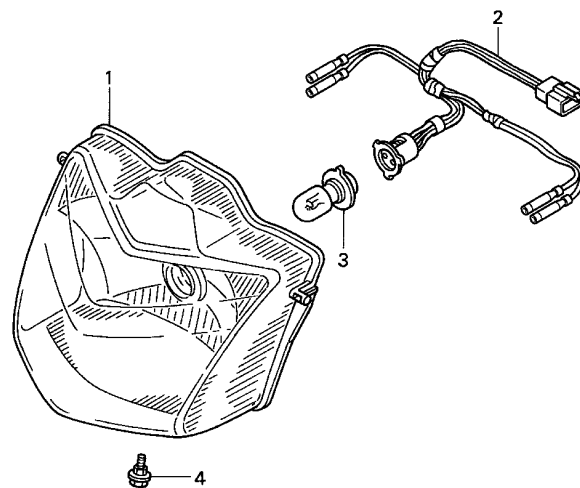
Ref. No.	Part No.	Description	Reqd. QTY						Serial No.	Parts catalogue code
			ANF125MR					AFP125		
			5/M5	7/M7	8/M8	9/M9	A	KCS/KS MCS		
15	16118-GB4-003	CAP, CABLE SEALING	1	1	1	1	1			
16	16148-141-881	CAP, CHOKE DUST	1	1	1	1	1			
17	16155-883-005	VALVE COMP., FLOAT	1	1	1	1	1			
18	16163-GBG-960	GASKET, FLOAT CHAMBER	1	1	-	1	-			
	16163-GFP-901	-	-	1	-	-	-----	MA, MMA 2MA	
19	16165-KPW-901	HOLDER, NEEDLE JET	1	1	-	1	-			
	16165-KPG-T01	-	-	1	-	-	-----	MA, MMA 2MA	
20	16175-GB0-911	CUP, FUEL STRAINER	1	1	1	1	1			
21	16176-GB0-911	SCREEN, FUEL STRAINER	1	1	1	1	1			
22	16199-KPH-901	TUBE, AIR VENT	1	1	1	1	1			
23	16199-435-771	TUBE, OVERFLOW	1	1	1	1	1			
24	16951-KPW-901	BODY SET, COCK	1	1	1	1	1			
25	16963-KPW-901	LEVER SET, COCK	1	1	1	1	1			
26	93892-03012-18	SCREW-WASHER, 3X12	2	2	2	2	2			
27	93892-04010-10	SCREW-WASHER, 4X10	2	2	-	2	-			
	93892-04010-18	-	-	2	-	-	-----	MA, MMA 2MA	
28	93892-04014-18	SCREW-WASHER, 4X14	2	2	-	2	-			
	93892-04014-08	SCREW-WASHER, 4X14	-	-	2	-	-	-----	MA, MMA 2MA	
29	93892-05010-18	SCREW-WASHER, 5X10	1	1	1	1	1			
30	95002-02659	CLIP, TUBE (B6.5)	1	1	1	1	1			
31	99101-KPH-0780	JET, MAIN, #78	1	1	1	1	1			
32	99103-KPH-0350	JET, SLOW, #35	1	1	1	1	1			



F-1

HEADLIGHT(1)

H 1



KTM8-F0100

Ref. No.	L.O.N.	(Relative ref. Number) Description	F.R.T.
1	6161A7	HEADLIGHT UNIT	0.3
2	6161B1	SOCKET, HEADLIGHT	0.2
3	616118	BULB, HEADLIGHT	0.2

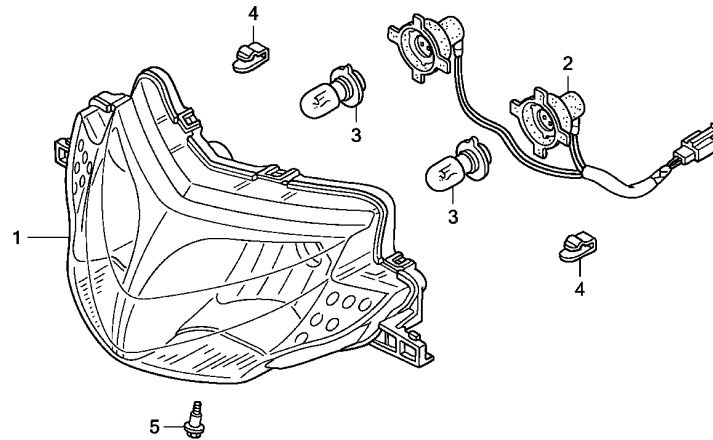
3

Ref. No.	Part No.	Description	Reqd. QTY					Serial No.	Parts catalogue code
			ANF125MR 5/M5	7/M7	8/M8	9/M9	AFP125 KCS/KS MCS A		
1	33120-KPH-B31	BASE COMP., HEADLIGHT	1	-	-	-	-		
2	33130-KTM-881	SOCKET COMP., HEADLIGHT	1	-	-	-	-		
3	34901-KPH-901	BULB, HEADLIGHT (12V 30/30W)	1	-	-	-	-		
4	90101-GJ6-000	BOLT, ADJUSTING	1	-	-	-	-		

F-1-1

HEADLIGHT(2)

H 2



Ref. No.	L.O.N.	(Relative ref. Number) Description	F.R.T.
1	6161A7	HEADLIGHT UNIT	0.4
2	6161B1	SOCKET, HEADLIGHT	0.3
3	616118	BULB, HEADLIGHT	0.3
.NOTE: Same time for two units			

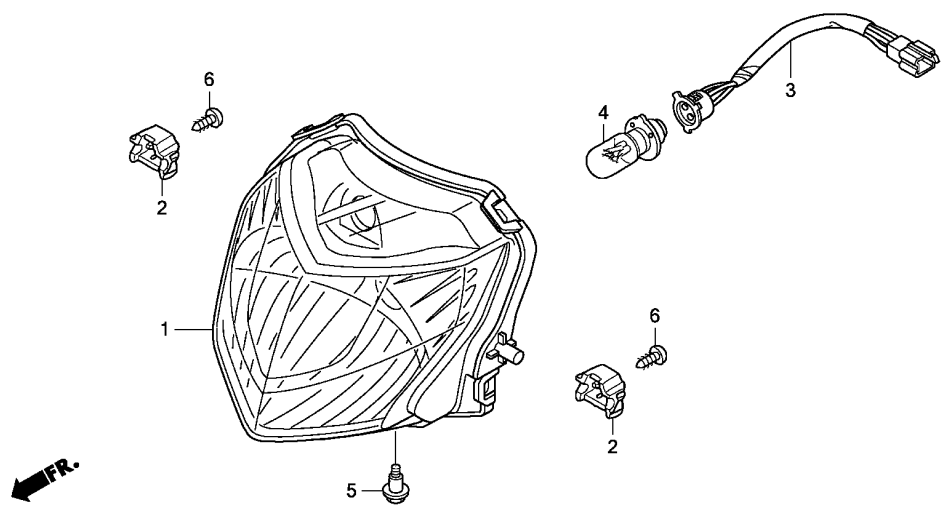
Ref. No.	Part No.	Description	Reqd. QTY					Serial No.	Parts catalogue code
			ANF125MR 5/M5 7/M7 8/M8 9/M9	AFP125 KCS/KS MCS A					
1	33110-KPH-701	HEADLIGHT UNIT	-	1	-	1	-		
2	33130-KPH-701	SOCKET COMP., HEADLIGHT	-	1	-	1	-	-----	MA,MMA
3	34901-KRS-901	BULB, HEADLIGHT (12V 18/18W)	-	2	-	2	-	-----	MA,MMA
4	53209-GAH-000	CLIP, HEADLIGHT	-	2	-	2	-	-----	MA,MMA
5	90101-GJ6-000	BOLT, ADJUSTING	-	1	-	1	-	-----	MA,MMA
			-	-	1	-	-	-----	MA,MMA

3

F-1-2

HEADLIGHT(3)

H 3

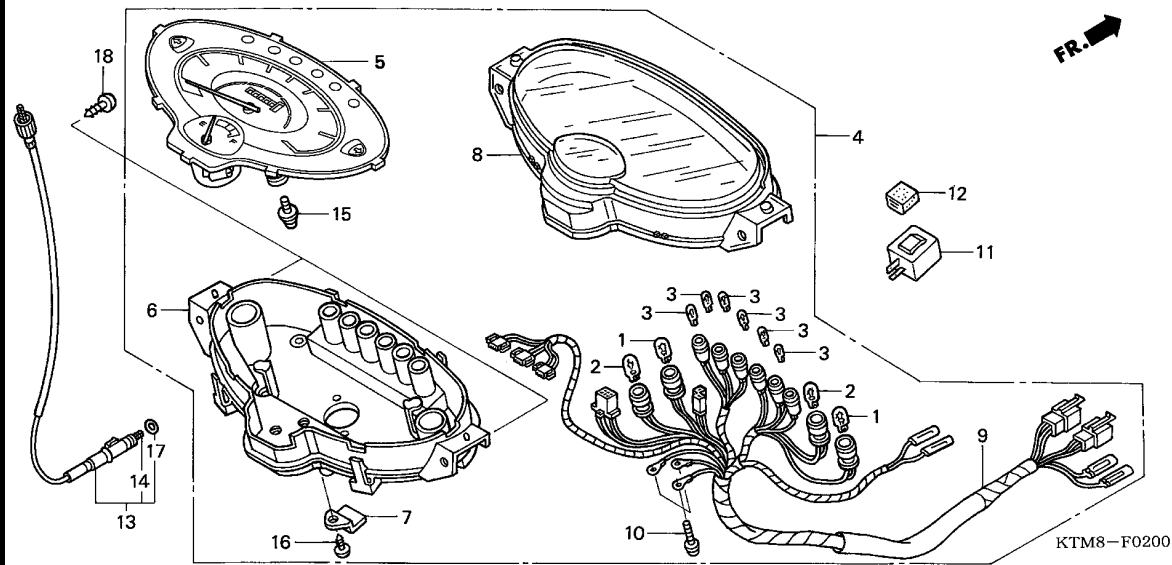


KTM8F0102

Ref. No.	L.O.N.	(Relative ref. Number) Description	F.R.T.
1	6161A7	HEADLIGHT UNIT	0.4
3	6161B1	SOCKET, HEADLIGHT	0.3
4	616118	BULB, HEADLIGHT	0.3

3

Ref. No.	Part No.	Description	Reqd. QTY					Serial No.	Parts catalogue code
			ANF125MR 5/M5	7/M7	8/M8	9/M9	AFP125 KCS/KS MCS A		
1	33110-KVL-T11	HEADLIGHT UNIT	-	-	1	-	-	-----	2MA
2	33118-KTL-741	BRACKET, HEADLIGHT	-	-	2	-	-	-----	2MA
3	33130-KVL-T11 33130-KYL-730	SOCKET COMP., HEADLIGHT	-	-	1	-	-	-----	2MA
4	34901-KPH-881	BULB, HEADLIGHT (STANLEY) (12V 32/32W)	-	-	1	-	-	-----	2MA
	34901-KVY-901	-	-	-	-	1	-----	
5	90101-GJ6-000	BOLT, ADJUSTING	-	-	1	-	-	-----	2MA
		-	-	-	-	1	-----	
6	93903-34380	SCREW, TAPPING, 4X12	-	-	2	-	-	-----	2MA
		-	-	-	-	2	-----	



Ref. No.	L.O.N.	(Relative ref. Number) Description	F.R.T.
4	8121A1	METER ASSY., COMBINATION	0.4
5	8121A2	METER, COMBINATION	0.5
6	8121B3	CASE, METER	0.5
8	8121B7	LENS, METER	0.4
9	6161G4	SOCKET ASSY., METER BULB	0.5
11	6111C3	RELAY, WINKER	0.3
13	811160	CABLE, SPEEDOMETER	0.3
14	8111B2	CABLE, SPEEDOMETER INNER	0.1

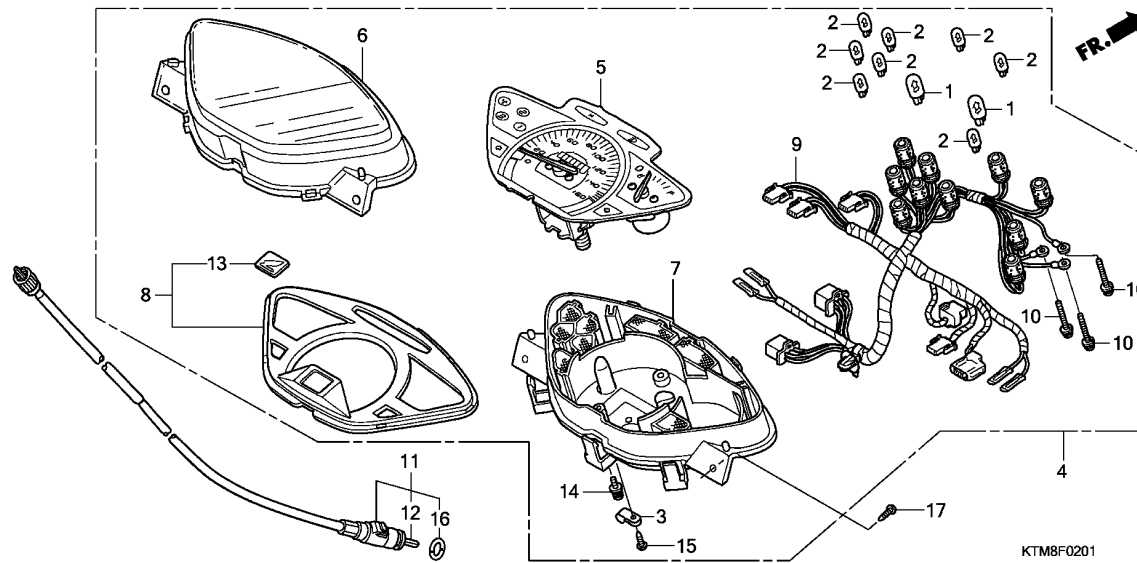
Ref. No.	Part No.	Description	Reqd. QTY					Serial No.	Parts catalogue code
			ANF125MR 5/M5	7/M7	8/M8	9/M9	AFP125 KCS/KS MCS A		
1	34908-GA7-701	BULB, WEDGE BASE (T10) (12V 3.4W)(NIPPON SEIKI)	2	-	-	-	-		
2	34908-MB9-871	BULB, WEDGE BASE (T10) (12V 1.7W)(STANLEY)	2	-	-	-	-		
3	34908-MG9-951	BULB, WEDGE BASE (12V 1.7W)	6	-	-	-	-		
4	37200-KTM-891	SPEEDOMETER ASSY.	1	-	-	-	-	MA	
	37200-KTM-881	1	-	-	-	-	MMA	
5	37210-KTM-881	METER COMP., SPEED & FUEL ...	1	-	-	-	-		
6	37212-KTM-881	CASE	1	-	-	-	-		
7	37213-KTM-881	HOLDER, WINKER RELAY	1	-	-	-	-		
8	37221-KTM-881	LENS	1	-	-	-	-		
9	37224-KTM-891	SOCKET COMP.	1	-	-	-	-	MA	
	37224-KTM-881	1	-	-	-	-	MMA	
10	37305-KE5-008	SCREW-WASHER, 3X22	3	-	-	-	-		
11	38301-KK4-024	RELAY COMP., WINKER (MITSUBA)	1	-	-	-	-		
12	38306-KK4-000	SUSPENSION, WINKER RELAY (MITSUBA)	1	-	-	-	-		
13	44830-KTM-880	CABLE COMP., SPEEDOMETER	1	-	-	-	-		
14	44831-KTM-880	CABLE, INNER	1	-	-	-	-		
15	90035-166-008	SCREW-WASHER, SPECIAL, 4X10	2	-	-	-	-		
16	90101-KY6-008	SCREW, TAPPING, 3X14	1	-	-	-	-		
17	91352-671-003	O-RING, 8.5X1.5(ARAI)	1	-	-	-	-		
	91352-671-004	O-RING, 8.5X1.5(NOK)	1	-	-	-	-		
18	93903-25310	SCREW, TAPPING, 5X16	2	-	-	-	-		



F-2-1

METER(2)

H 5

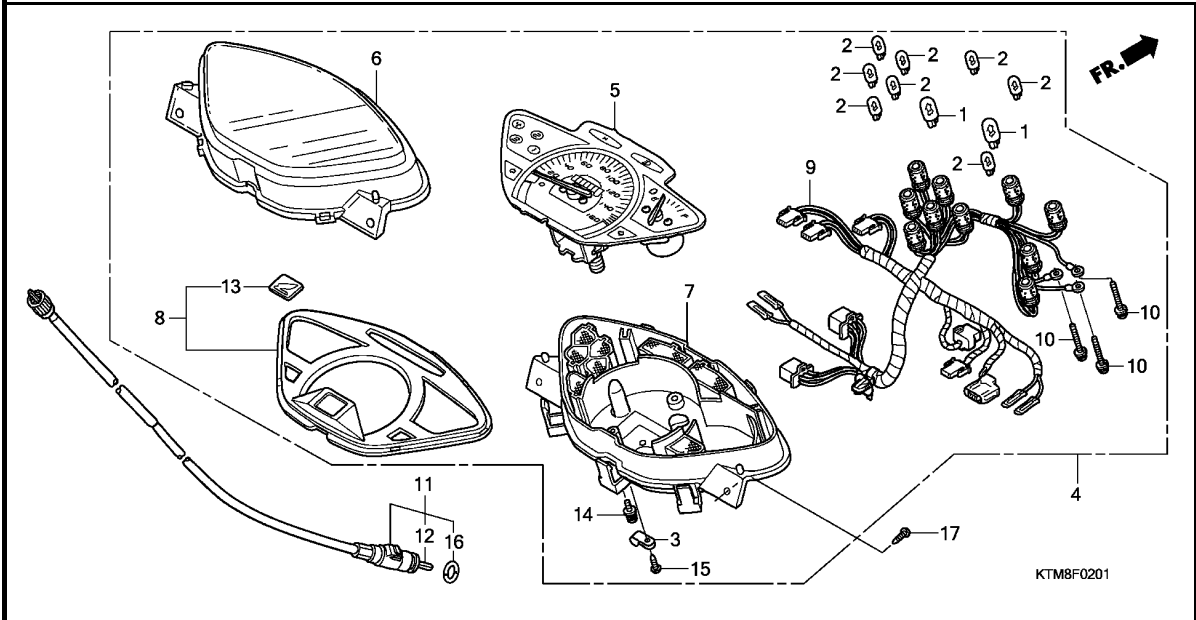


Ref. No.	L.O.N.	(Relative ref. Number) Description	F.R.T.
4	8121A1	METER ASSY., COMBINATION	0.5
5	8121A2	METER, COMBINATION	0.6
6	8121B7	LENS, METER	0.5
7	8121B3	CASE, METER	0.6
8	4131A3	PLATE, REFLECTING	0.5
9	6161G4	SOCKET ASSY., METER BULB	0.7
11	811160	CABLE, SPEEDOMETER	0.3
12	8111B2	CABLE, SPEEDOMETER INNER	0.1

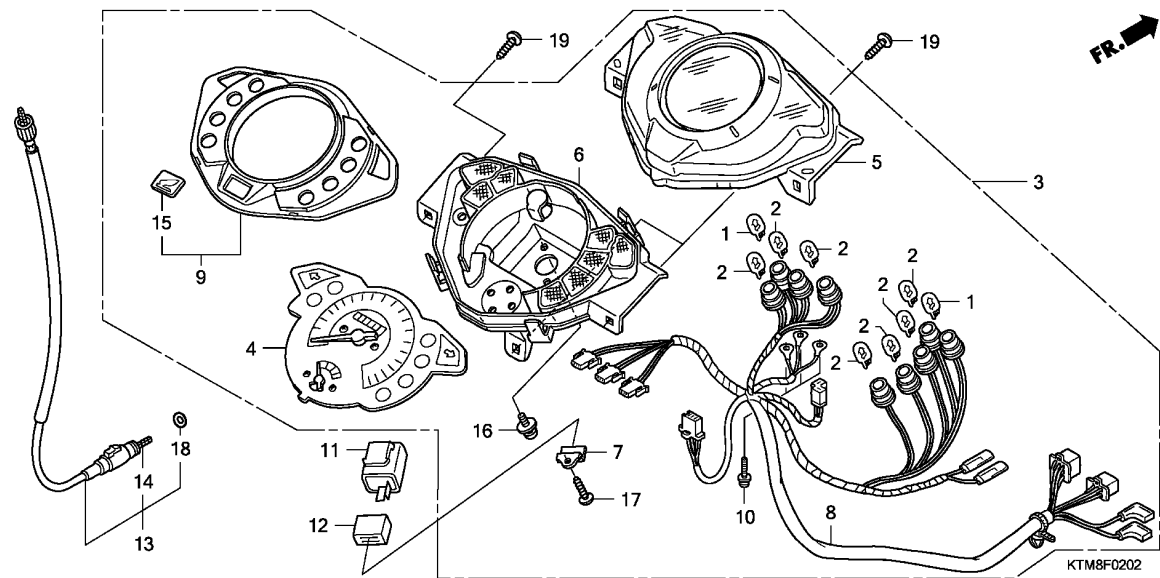
KTMBF0201

Ref. No.	Part No.	Description	Reqd. QTY					Serial No.	Parts catalogue code
			ANF125MR 5/M5	7/M7	8/M8	9/M9	AFP125 KCS/KS MCS A		
1	34908-MB9-871	BULB, WEDGE BASE (T10) (12V 1.7W) (STANLEY)	-	2	-	2	-	-----	MA, MMA
2	34908-MG9-951	BULB, WEDGE BASE (12V 1.7W)	-	8	-	8	-	-----	MA, MMA
3	37121-ML7-671	CLAMP	-	1	-	1	-	-----	MA, MMA
4	37200-KVL-921 37200-KVL-911	SPEEDOMETER ASSY.	-	1	1	1	-	-----	MA MMA
5	37210-KVL-911	METER COMP., SPEED & FUEL ...	-	1	-	1	-	-----	MA, MMA
6	37211-KTM-841	GLASS	-	1	-	1	-	-----	MA, MMA
7	37212-KVL-911	CASE COMP., UNDER	-	1	-	1	-	-----	MA, MMA
8	37215-KVL-911	PLATE COMP., REFLECTING	-	1	-	1	-	-----	MA, MMA
9	37224-KVL-921 37224-KVL-911	SOCKET COMP.	-	1	1	1	-	-----	MA MMA
10	37305-KE5-008	SCREW-WASHER, 3X22	-	3	-	3	-	-----	MA, MMA
11	44830-KTM-840	CABLE COMP., SPEEDOMETER	-	1	-	1	-	-----	MA, MMA
12	44831-KTM-840	CABLE, INNER	-	1	-	1	-	-----	MA, MMA

3



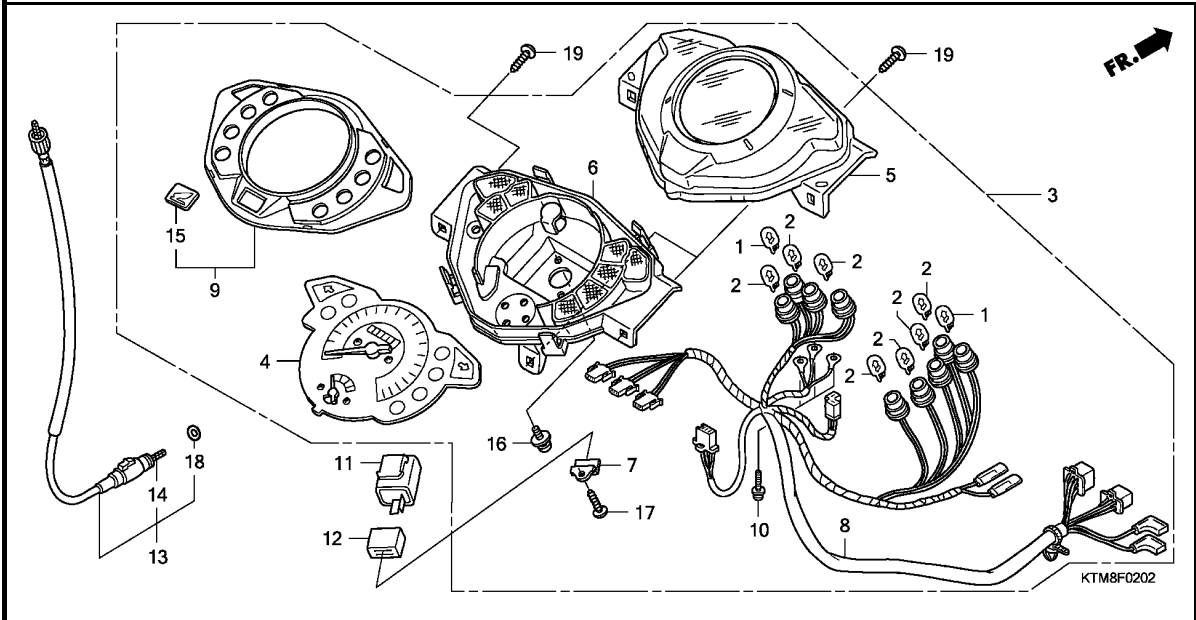
Ref. No.	Part No.	Description	Reqd. QTY					Serial No.	Parts catalogue code	
			ANF125MR 5/M5	7/M7	8/M8	9/M9	AFP125 KCS/KS MCS A			
13	86150-KPG-901	EMBLEM, PRODUCT (MARUI)	-	1	-	1	-	-		
	86150-KPG-902	EMBLEM, PRODUCT (UEHARA)	-	1	-	1	-	-----	MA,MMA	
14	90035-166-008	SCREW-WASHER, SPECIAL, 4X10 -	-	-	2	-	2	-	-----	MA,MMA
15	90109-MZ5-008	SCREW, TAPPING, 4X14	-	1	-	1	-	-	-----	MA,MMA
			-	-	1	-	-	-	-----	MA,MMA
16	91352-671-003	O-RING, 8.5X1.5(ARAI)	-	1	-	1	-	-	-----	MA,MMA
	91352-671-004	O-RING, 8.5X1.5(NOK)	-	1	-	1	-	-	-----	MA,MMA
17	93903-25310	SCREW, TAPPING, 5X16	-	2	-	2	-	-	-----	MA,MMA
			-	-	2	-	-	-	-----	MA,MMA



Ref. No.	L.O.N.	(Relative ref. Number) Description	F.R.T.
3	8121A1	METER ASSY., COMBINATION	0.5
4	8121A2	METER, COMBINATION	0.6
5	8121B7	LENS, METER	0.5
6	8121B3	CASE, METER	0.6
8	6161G4	SOCKET ASSY., METER BULB	0.7
9	4131A3	PLATE, REFLECTING	0.5
11	6111N4	RELAY, WINKER(A)	0.4
13	811160	CABLE, SPEEDOMETER	0.3
14	8111B2	CABLE, SPEEDOMETER INNER	0.1

KTM8F0202

Ref. No.	Part No.	Description	Reqd. QTY					Serial No.	Parts catalogue code
			ANF125MR 5/M5	7/M7	8/M8	9/M9	AFP125 KCS/KS MCS A		
1	34908-GA7-701	BULB, WEDGE BASE (T10) (12V 3.4W)(NIPPON SEIKI)	-	-	2	-	-	----- 2MA	
	34909-KVR-600	BULB, WEDGE BASE (T10) (12V 3.4W)(TOSHIBA)	-	-	2	-	-	----- 2MA	
2	34908-KVE-900	BULB, WEDGE BASE (T10) (12V 1.7W)(TOSHIBA)	-	-	7	-	-	----- 2MA	
	34908-MB9-871	BULB, WEDGE BASE (T10) (12V 1.7W)(STANLEY)	-	-	7	-	-	----- 2MA	
3	37200-KVL-T21	SPEEDOMETER ASSY.	-	-	1	-	-	----- 2MA	
	37200-KYL-731	-	-	-	-	1	----- KCSMA,KSMA	
	37200-KYL-771	-	-	-	-	1	----- MCSMA	
4	37210-KVL-T11	SPEEDOMETER COMP.	-	-	1	-	-	----- 2MA	
	37210-KYL-731	-	-	-	-	1	----- 2MA	
5	37211-KVL-T11	LENS ASSY.	-	-	1	-	-	----- 2MA	
		-	-	-	-	1	----- 2MA	
6	37212-KVL-T11	CASE ASSY.	-	-	1	-	-	----- 2MA	
	37212-KYL-731	-	-	-	-	1	----- 2MA	
7	37213-KVR-601	HOLDER, WINKER RELAY	-	-	1	-	-	----- 2MA	
		-	-	-	-	1	----- 2MA	
8	37224-KVL-T21	SOCKET COMP.	-	-	1	-	-	----- KCSMA,KSMA,2MA	
	37224-KVL-T01	-	-	-	-	1	----- MCSMA	
9	37302-KVL-T11	PLATE ASSY., REFLECTING	-	-	1	-	-	----- 2MA	
		-	-	-	-	1	----- 2MA	

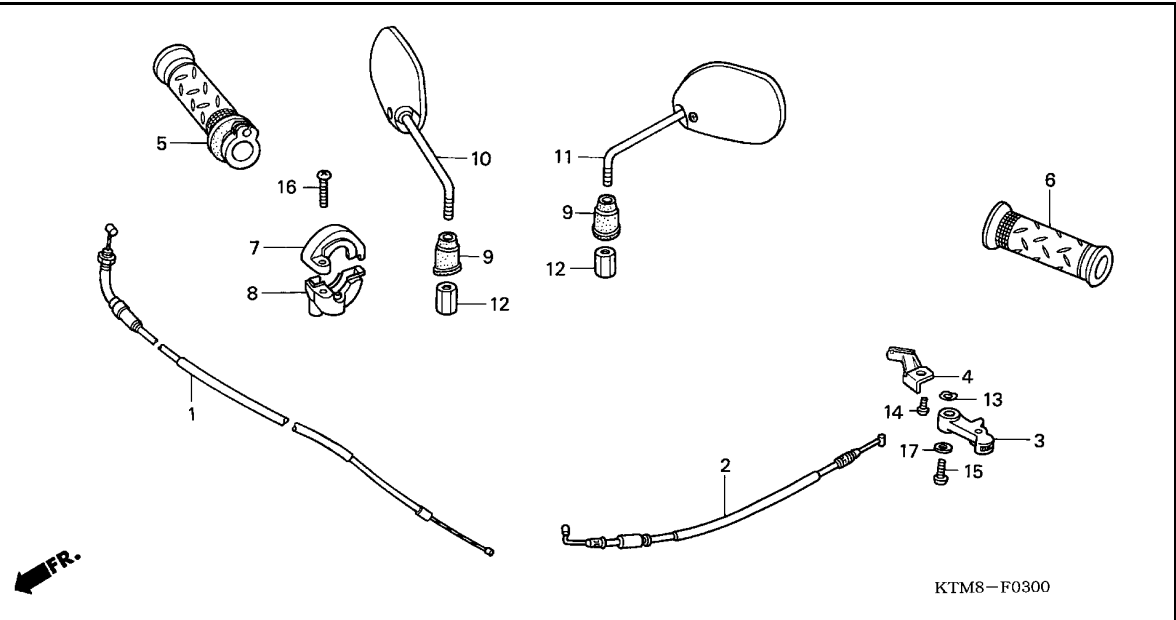


Ref. No.	Part No.	Description	Reqd. QTY				Serial No.	Parts catalogue code
			ANF125MR 5/M5	7/M7	8/M8	9/M9		
10	37305-KE5-008	SCREW-WASHER, 3X22	-	-	3	-	-	2MA
11	38301-KK4-024	RELAY COMP., WINKER (MITSUBA)	-	-	1	-	-	2MA
12	38306-KK4-000	SUSPENSION, WINKER RELAY (MITSUBA)	-	-	1	-	-	2MA
13	44830-KVL-T10	CABLE COMP., SPEEDOMETER	-	-	1	-	-	2MA
14	44831-KPH-650	CABLE, INNER	-	-	1	-	-	2MA
15	86150-KPG-901	EMBLEM, PRODUCT (MARUI)	-	-	1	-	-	2MA
16	90035-166-008	SCREW-WASHER, SPECIAL, 4X10	-	-	2	-	-	2MA
17	90101-KY6-008	SCREW, TAPPING, 3X14	-	-	1	-	-	2MA
18	91352-671-003	O-RING, 8.5X1.5(ARAI)	-	-	1	-	-	2MA
	91352-671-004	O-RING, 8.5X1.5(NOK)	-	-	1	-	-	2MA
19	93903-25310	SCREW, TAPPING, 5X16	-	-	3	-	-	2MA

F-3

CABLE/MIRROR

H 9



Ref. No.	L.O.N.	(Relative ref. Number) Description	F.R.T.
1	811100	CABLE, THROTTLE	0.5
	8111D4	CABLE, THROTTLE(A)	0.6
		.NOTE: '07- model	
2	811120	CABLE, CHOKE	0.3
	8111D5	CABLE, CHOKE(A)	0.4
		.NOTE: '07- model	
3	810140	LEVER, CHOKE :HANDLE SIDE	0.1
5	810150	GRIP, THROTTLE	0.2
6	8101C0	GRIP, HANDLE :LEFT	0.1
8	810155	HOUSING, THROTTLE	0.2

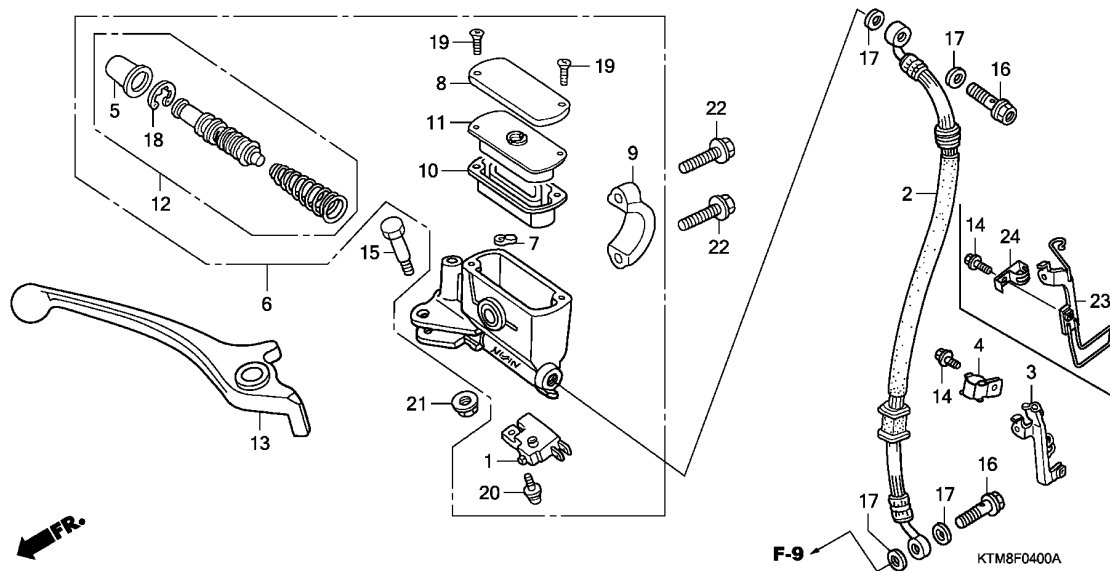
3

Ref. No.	Part No.	Description	Reqd. QTY					Serial No.	Parts catalogue code
			ANF125MR	AFP125	KCS/KS				
			5/M5	7/M7	8/M8	9/M9	A		
1	17910-KPH-B30	CABLE COMP., THROTTLE	1	-	-	-	-		
	17910-KTM-950	-	1	-	1	-		MA, MMA
	17910-KVL-T10	-	-	1	-	-	-----	ZMA
			-	-	-	-	1		
2	17950-KPH-B30	CABLE COMP., CHOKE	1	-	-	-	-		
	17950-KTM-840	-	1	-	1	-		MA, MMA
	17950-KVL-T10	-	-	1	-	-	-----	ZMA
			-	-	-	-	1		
3	17961-KFM-900	LEVER, CHOKE	1	1	1	1	1		
4	17962-KFM-900	STOPPER, CABLE	1	1	1	1	1		
5	53140-KPH-970	GRIP COMP., THROTTLE	1	1	1	1	1		
6	53166-KFL-D20	GRIP, L. HANDLE	1	1	1	1	1		
7	53167-KFM-900	HOUSING, UPPER THROTTLE	1	1	1	1	1		
8	53168-KFM-900	HOUSING, UNDER THROTTLE	1	1	1	1	1		
9	88113-KET-900	CAP, LOCK NUT	2	2	2	2	2		
10	88210-KRS-970	MIRROR COMP., R.	1	1	1	1	1		
11	88220-KRS-970	MIRROR COMP., L.	1	1	1	1	1		
12	90314-KFM-900	NUT, LOCK	2	2	2	2	2		
13	90442-147-000	WASHER, WAVE	1	1	1	1	1		
14	93500-05010-0G	SCREW, PAN, 5X10	1	1	1	1	1		
15	93500-05012-0G	SCREW, PAN, 5X12	1	1	1	1	1		
16	93500-05025-0G	SCREW, PAN, 5X25	1	1	1	1	1		
17	94103-05700	WASHER, PLAIN, 5MM	1	1	1	1	1		

F-4

FR. BRAKE MASTER CYLINDER

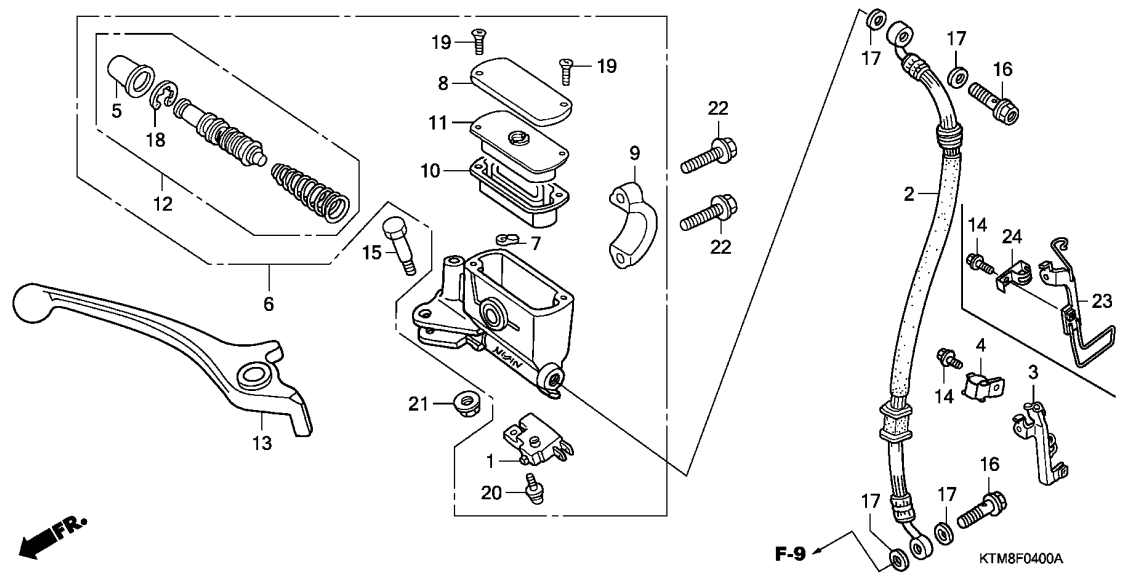
H10



Ref. No.	L.O.N.	(Relative ref. Number) Description	F.R.T.
1	6151B2	SWITCH, FRONT STOP	0.2
	6151F5	SWITCH, FRONT STOP(A)	0.3
	.NOTE: '07- model		
2	7121A0	HOSE, FRONT BRAKE	0.6
	.INCLUDES: Bleed brakes		
	7121N4	HOSE, FRONT BRAKE(A)	0.7
	.INCLUDES: Bleed brakes		
	.NOTE: '07- model		
6	712105	CYLINDER, FRONT BRAKE MASTER	0.6
	.INCLUDES: Bleed brakes		
	7121K9	CYLINDER, FRONT BRAKE MASTER (A)	0.7
	.INCLUDES: Bleed brakes		
	.NOTE: '07- model		
10	7121G6	DIAPHRAGM, FRONT BRAKE MASTER CYLINDER	0.1
12	7121G9	PISTON SET, FRONT BRAKE MASTER	0.6
	.INCLUDES: Bleed brakes		
	7121K8	PISTON SET, FRONT BRAKE MASTER (A)	0.7
	.INCLUDES: Bleed brakes		
	.NOTE: '07- model		
13	8101C7	LEVER, HANDLE :RIGHT	0.1

Ref. No.	Part No.	Description	Reqd. QTY					Serial No.	Parts catalogue code
			ANF125MR				AFP125		
			5/M5	7/M7	8/M8	9/M9	A		
1	35340-KGH-901	SWITCH ASSY., FR. STOP	1	1	1	1	1		
2	45126-KPH-881	HOSE COMP., FR. BRAKE	1	-	-	-	-		
	45126-KTM-851	-	1	-	1	-		
	45126-KTL-751	-	-	1	-	-	-----	MA, MMA
	45126-KYL-730	-	-	-	-	1	-----	2MA
3	45156-KPH-950	CLAMPER, BRAKE HOSE	1	1	-	1	-		
	45156-KTL-750	-	-	1	-	-	-----	MA, MMA
	45157-KAN-850	CLAMPER B, BRAKE HOSE	1	1	1	1	-	-----	2MA
5	45504-410-003	BOOT COMP.	1	1	1	1	1		
6	45510-KFL-D31	CYLINDER SUB ASSY., FR. BRAKE MASTER (NISSIN)	1	1	1	1	1		
7	45512-MA6-006	PROTECTOR	1	1	1	1	1		
8	45513-GW0-911	CAP, MASTER CYLINDER	1	1	1	1	1		
9	45517-GW0-751	HOLDER, MASTER CYLINDER	1	1	1	1	1		
10	45520-GW0-911	DIAPHRAGM	1	1	1	1	1		
11	45521-GW0-911	PLATE, DIAPHRAGM	1	1	1	1	1		
12	45530-471-831	CYLINDER SET, MASTER	1	1	1	1	1		
13	53175-KRS-T80	LEVER, R. STEERING HANDLE ...	1	1	-	1	-		
	53175-KET-921	-	-	1	-	-	-----	MA, MMA
			-	-	-	-	1	-----	2MA
14	90102-KGH-900	BOLT, FLANGE, 6X10	1	1	1	1	1		
15	90114-KGH-900	BOLT, HANDLE LEVER PIVOT	1	1	1	1	1		

3

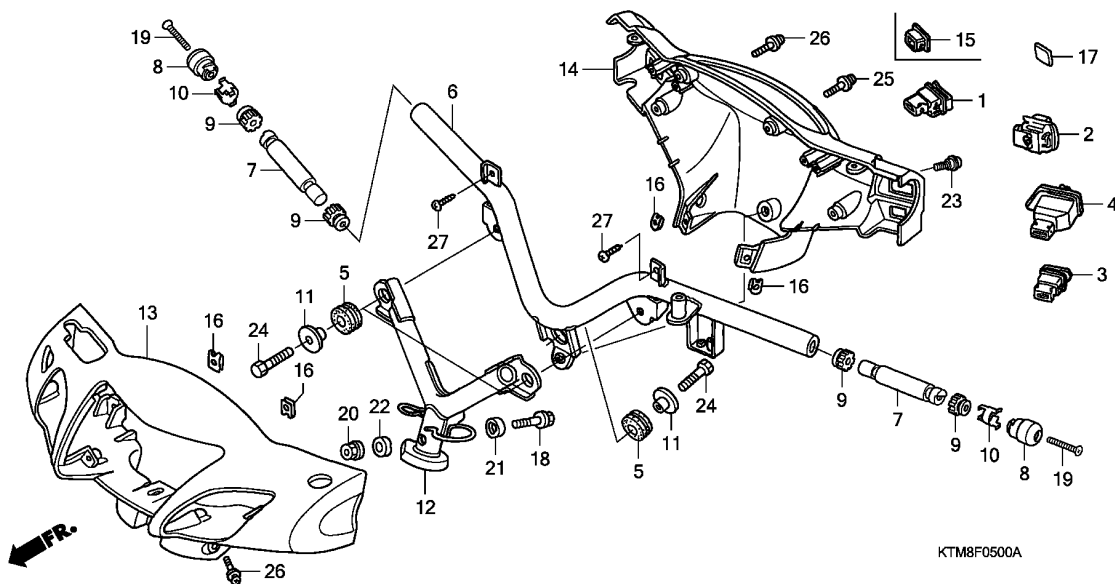


Ref. No.	Part No.	Description	Reqd. QTY					Serial No.	Parts catalogue code
			ANF125MR 5/M5	7/M7	8/M8	9/M9	AFP125 KCS/KS MCS A		
16	90145-KM3-751	BOLT, OIL, 10X22(SAGA)	2	2	2	2	2		
	90145-KPH-B30	BOLT, OIL, 10X22(NISSIN)	2	2	2	2	2		
17	90545-300-000	WASHER, OIL BOLT	4	4	4	4	4		
18	90651-MA5-671	CIRCLIP	1	1	1	1	1		
19	93600-04012-1G	SCREW, FLAT, 4X12	2	2	2	2	2		
20	93893-04012-17	SCREW-WASHER, 4X12	1	1	1	1	1		
21	94050-06000	NUT, FLANGE, 6MM	1	1	1	1	1		
22	95701-06022-07	BOLT, FLANGE, 6X22	2	2	2	2	2		
23	45156-KYL-840	CLAMPER, BRAKE HOSE	-	-	-	-	-	1	
24	45157-KWW-A00	CLAMPER B, BRAKE HOSE	-	-	-	-	-	1	

F-5

HANDLE PIPE/HANDLE COVER/SWITCH(1)

H12



Ref. No.	L.O.N.	(Relative ref. Number) Description	F.R.T.
1	615116	SWITCH, STARTER	0.3
2	615117	SWITCH, DIMMER	0.3
3	6151A3	SWITCH, HORN	0.3
4	615118	SWITCH, WINKER	0.3
6	810100	PIPE, STEERING HANDLE	0.7
7	8101D6	WEIGHT B, HANDLE :LEFT	0.2
	8101D7	WEIGHT B, HANDLE :RIGHT	0.2
	8101D8	WEIGHT B, HANDLE :BOTH	0.4
12	5101C8	POST, HANDLE	0.5
13	4131B5	COVER, HANDLE :FRONT	0.3
	4131U1	COVER, HANDLE :BOTH	0.6
14	4131B6	COVER, HANDLE :REAR	0.5

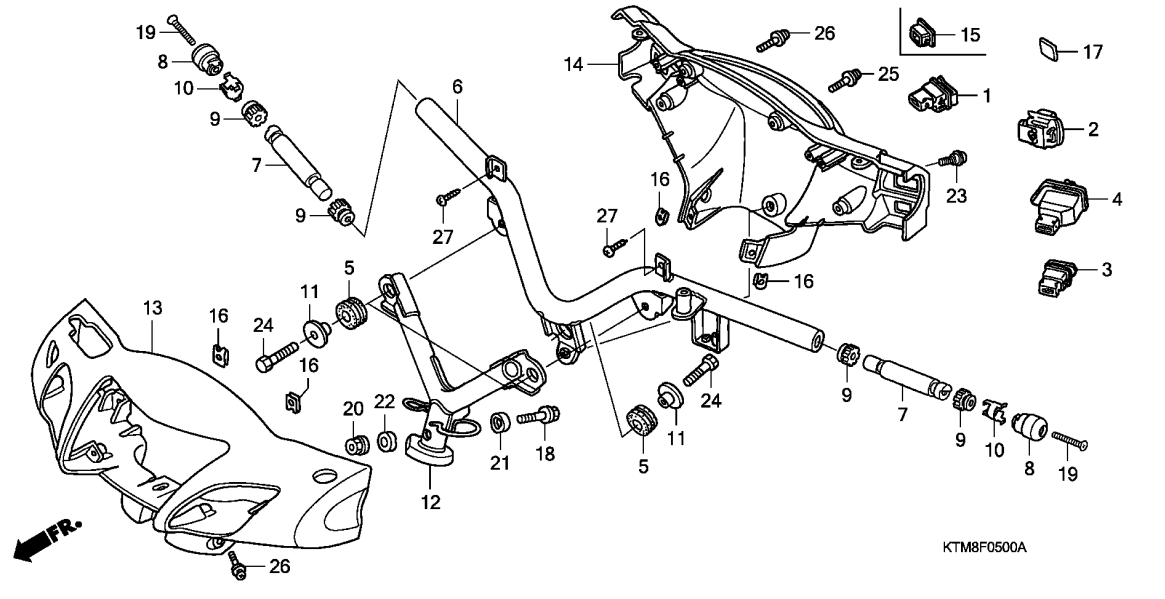
Ref. No.	Part No.	Description	Reqd. QTY					Serial No.	Parts catalogue code
			ANF125MR 5/M5	7/M7	8/M8	9/M9	AFP125 KCS/KS MCS A		
1	35160-KPH-971	SWITCH UNIT, STARTING	1	-	-	-	-	----- MMA	
2	35170-KPH-651	SWITCH UNIT, DIMMER	1	-	-	-	-		
3	35180-KPH-971	SWITCH UNIT, HORN	1	-	-	-	-		
4	35200-KPW-901	SWITCH UNIT, WINKER	1	-	-	-	-		
5	50613-KFL-850	RUBBER, MAIN STEP MOUNTING ..	3	-	-	-	-		
6	53100-KPH-650	PIPE COMP., STEERING HANDLE ..	1	-	-	-	-		
7	53104-KPH-950	WEIGHT B, STEERING HANDLE ...	2	-	-	-	-		
8	53105-KPH-950	WEIGHT A, STEERING HANDLE ...	2	-	-	-	-		
9	53106-KR3-000	RUBBER A, HANDLE WEIGHT	4	-	-	-	-		
10	53108-KR3-770	RING, HANDLE WEIGHT SNAP	2	-	-	-	-		
11	53109-KPH-900	COLLAR, HANDLE MOUNTING	3	-	-	-	-		
12	53120-KPH-650	POST COMP., HANDLE	1	-	-	-	-		
13	53200-KTM-880ZA	COVER ASSY., HANDLE FR. *PB325C*.CANDY LIGHTNING BLUE	1	-	-	-	-		
	53200-KTM-880ZB	*RP166M* KELLY MAGENTA METALLIC	1	-	-	-	-		
	53200-KTM-880ZC	*R264C*.....CANDY LUCID RED	1	-	-	-	-		
	53200-KTM-880ZD	*YR159M* MAG. TECH GOLD METALLIC	1	-	-	-	-		
14	53206-KPH-651	COVER, HANDLE RR.	1	-	-	-	-		
15	53207-KPH-900	CAP, HANDLE COVER	1	-	-	-	-	----- MA	
16	64521-MN5-000	NUT, CLIP, 4MM	6	-	-	-	-		
17	86150-KPG-901	EMBLEM, PRODUCT (MARUI)	1	-	-	-	-		
18	90106-GN5-900	BOLT, FLANGE, 10X50	1	-	-	-	-		
19	90191-KPP-900	SCREW, OVAL, 6X50	2	-	-	-	-		

3

F-5

HANDLE PIPE/HANDLE COVER/SWITCH(1)

H13



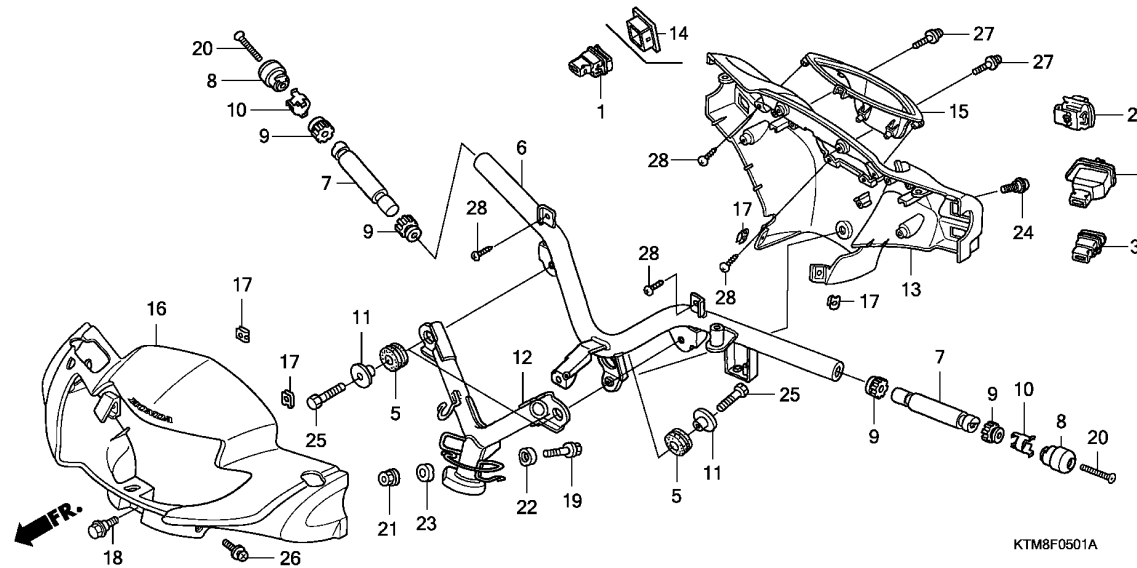
Ref. No.	Part No.	Description	Reqd. QTY					Serial No.	Parts catalogue code
			5/M5	7/M7	8/M8	9/M9	AFP125 KCS/KS MCS A		
20	90304-KGH-901	NUT, U, 10MM	1	-	-	-	-		
21	90501-KPH-880	COLLAR A, HANDLE SETTING	1	-	-	-	-		
22	90505-KPH-880	COLLAR B, HANDLE SETTING	1	-	-	-	-		
23	91509-GE2-760	SCREW, PAN, 5X11.5	1	-	-	-	-		
24	92101-08025-0H	BOLT, HEX., 8X25	3	-	-	-	-		
25	93891-04016-07	SCREW-WASHER, 4X16	2	-	-	-	-		
26	93891-04020-07	SCREW-WASHER, 4X20	4	-	-	-	-		
27	93903-34380	SCREW, TAPPING, 4X12	2	-	-	-	-		

3

F-5-1

HANDLE PIPE/HANDLE COVER/SWITCH(2)

H14



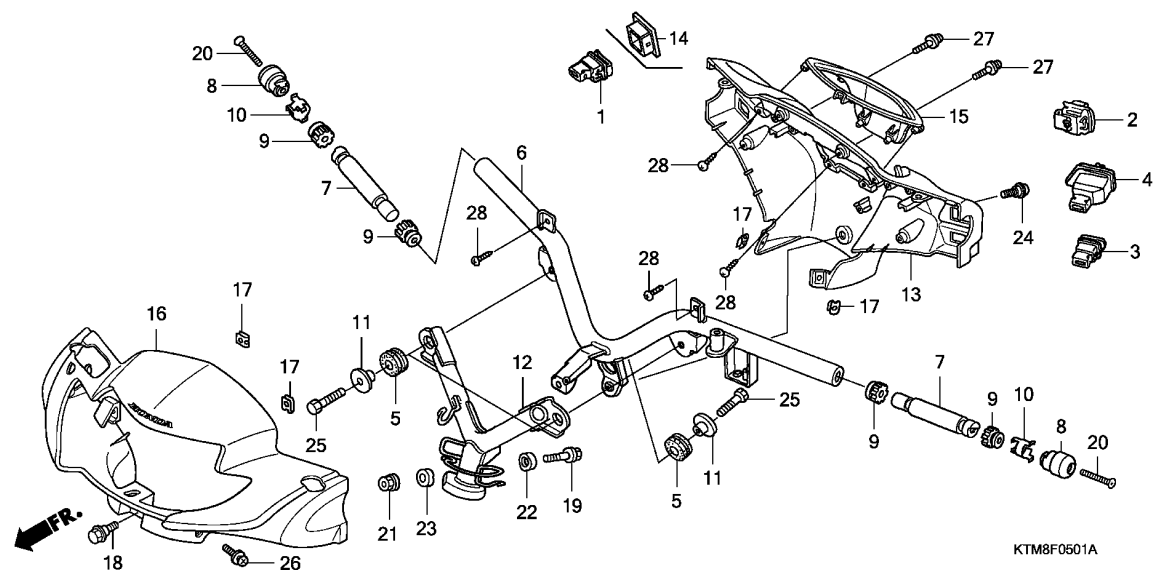
Ref. No.	L.O.N.	(Relative ref. Number) Description	F.R.T.
1	615116	SWITCH, STARTER	0.4
2	615117	SWITCH, DIMMER	0.4
3	6151A3	SWITCH, HORN	0.4
4	615118	SWITCH, WINKER	0.4
6	810100	PIPE, STEERING HANDLE	0.8
7	8101D6	WEIGHT B, HANDLE :LEFT	0.2
	8101D7	WEIGHT B, HANDLE :RIGHT	0.2
	8101D8	WEIGHT B, HANDLE :BOTH	0.4
12	5101C8	POST, HANDLE	0.6
13	4131B6	COVER, HANDLE :REAR	0.6
	4131U1	COVER, HANDLE :BOTH	0.7
15	812140	PANEL, METER	0.4
16	4131B5	COVER, HANDLE :FRONT	0.4

Ref. No.	Part No.	Description	Reqd. QTY				Serial No.	Parts catalogue code
			ANF125MR	AFP125	KCS/KS	MCS		
			5/M5	7/M7	8/M8	9/M9	A	
1	35160-KPH-971	SWITCH UNIT, STARTING	-	1	1	1	-	----- MMA
2	35170-KPH-651	SWITCH UNIT, DIMMER	-	1	-	1	-	----- MA,MMA
3	35180-KPH-971	SWITCH UNIT, HORN	-	-	1	-	-	----- MA,MMA
4	35200-KPH-971	SWITCH UNIT, WINKER	-	1	-	1	-	----- MA,MMA
5	50613-KFL-850	RUBBER, MAIN STEP MOUNTING ..	-	3	-	3	-	----- MA,MMA
6	53100-KTM-840	PIPE COMP., STEERING HANDLE ..	-	1	-	1	-	----- MA,MMA
7	53104-KPH-950	WEIGHT B, STEERING HANDLE ...	-	-	2	-	-	----- MA,MMA
8	53105-KPH-950	WEIGHT A, STEERING HANDLE ...	-	2	-	2	-	----- MA,MMA
9	53106-KR3-000	RUBBER A, HANDLE WEIGHT	-	4	-	4	-	----- MA,MMA
10	53108-KR3-770	RING, HANDLE WEIGHT SNAP	-	2	-	2	-	----- MA,MMA
11	53109-KPH-900	COLLAR, HANDLE MOUNTING	-	3	-	3	-	----- MA,MMA
12	53120-KTM-840	POST COMP., HANDLE	-	1	-	1	-	----- MA,MMA
13	53206-KPH-700	COVER, HANDLE RR.	-	1	-	1	-	----- MA,MMA
14	53207-KPH-900	CAP, HANDLE COVER	-	1	1	1	-	----- MA

F-5-1

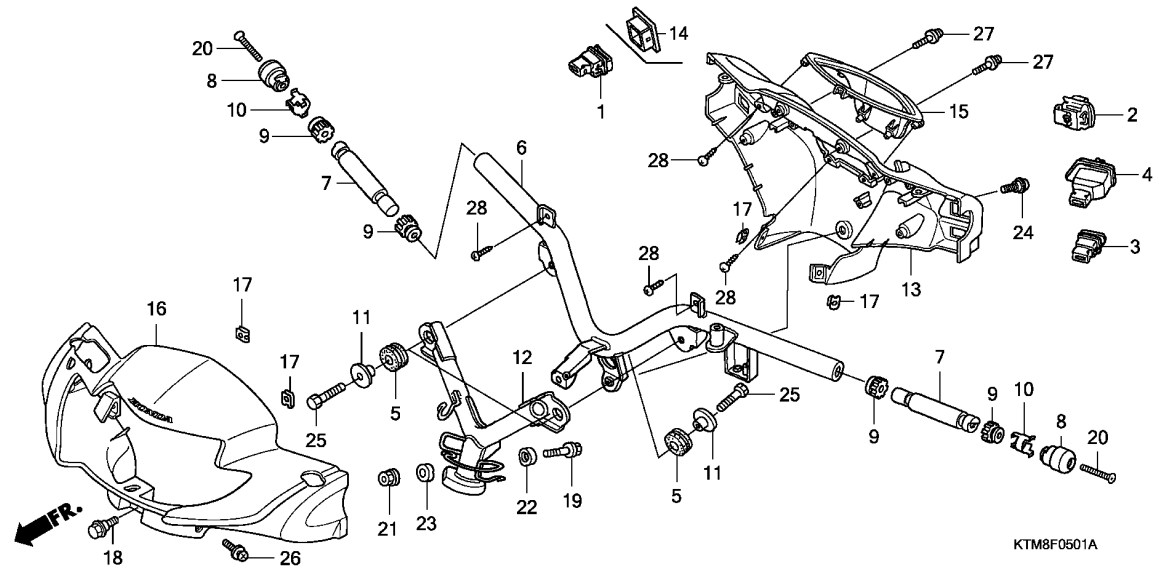
HANDLE PIPE/HANDLE COVER/SWITCH(2)

H15



3

Ref. No.	Part No.	Description	Reqd. QTY					Serial No.	Parts catalogue code
			ANF125MR 5/M5	7/M7	8/M8	9/M9	AFP125 KCS/KS MCS A		
15	53207-KTM-840	COVER, SPEEDOMETER	-	1	-	1	-	-----	MA,MMA
16	53250-KVL-910ZA	COVER SET, HANDLE (WL) *B196M*..NIPPIC BLUE METALLIC	-	1	-	-	-	-----	
	53250-KVL-910ZB	*G177M*..CYBER GREEN METALLIC	-	1	-	-	-	-----	
	53250-KVL-910ZC	*NH284M*..EURO GRAY METALLIC	-	1	-	-	-	-----	
	53250-KVL-910ZD	*R218M*..RADIANT RED METALLIC	-	1	-	-	-	-----	
	53250-KVL-910ZG	*NH341P*..PEARL FADELESS WHITE	-	-	1	-	-	-----	MA,MMA
	53250-KVL-910ZH	*R310*.....GAYETY RED	-	-	1	-	-	-----	MA,MMA
	53250-KVL-910ZJ	*NH1*.....BLACK	-	-	1	-	-	-----	MA,MMA
	53250-KVL-910ZL	*NHA69P* PEARL MAGELLANIC BLACK	-	-	-	1	-	-----	
	53250-KVL-910ZM	*R339M*..EUPHORIA RED METALLIC	-	-	-	1	-	-----	
17	64521-MN5-000	NUT, CLIP, 4MM	-	4	-	4	-	-----	MA,MMA
18	90103-KPH-720	BOLT, FR. HANDLE COVER	-	1	-	1	-	-----	MA,MMA
19	90106-GN5-900	BOLT, FLANGE, 10X50	-	1	-	1	-	-----	MA,MMA
20	90191-KPP-900	SCREW, OVAL, 6X50	-	2	-	2	-	-----	MA,MMA
21	90304-KGH-901	NUT, U, 10MM	-	1	-	1	-	-----	MA,MMA
22	90501-KPH-690	COLLAR A, HANDLE SETTING	-	1	-	1	-	-----	MA,MMA

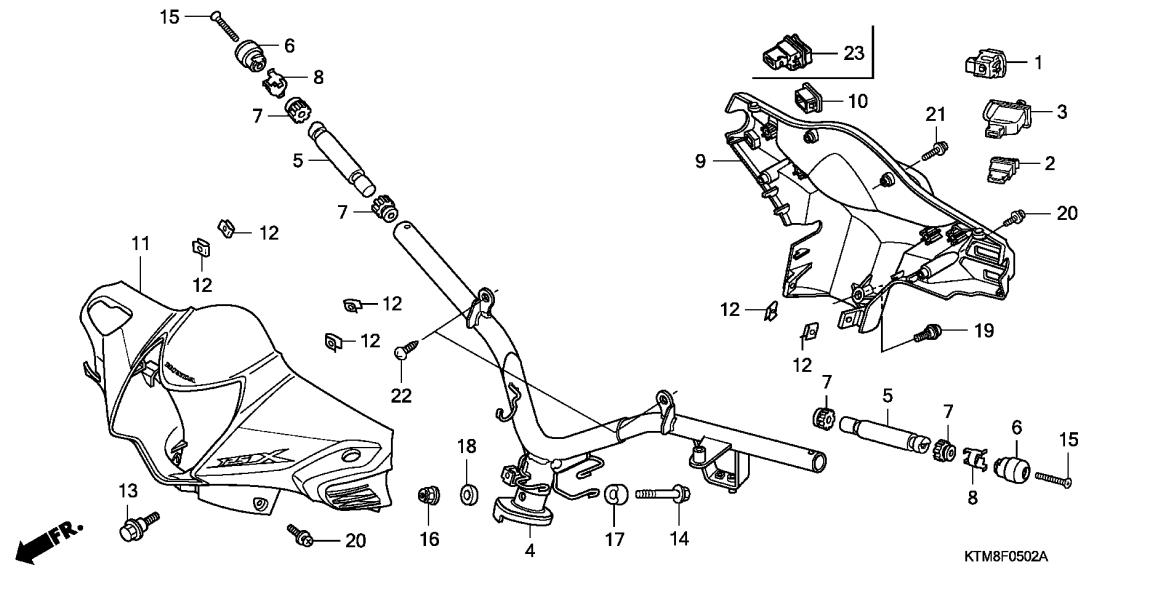


Ref. No.	Part No.	Description	Reqd. QTY					Serial No.	Parts catalogue code
			ANF125MR 5/M5	7/M7	8/M8	9/M9	AFP125 KCS/KS MCS A		
23	90505-KPH-880	COLLAR B, HANDLE SETTING	-	1	-	1	-	-	-
24	91509-GE2-760	SCREW, PAN, 5X11.5	-	1	-	1	-	-	MA, MMA
25	92101-08025-0H	BOLT, HEX., 8X25	-	3	-	3	-	-	MA, MMA
26	93891-04016-07	SCREW-WASHER, 4X16	-	2	-	2	-	-	MA, MMA
27	93891-04020-07	SCREW-WASHER, 4X20	-	4	-	4	-	-	MA, MMA
28	93903-24310	SCREW, TAPPING, 4X12	-	6	-	6	-	-	MA, MMA

F-5-2

HANDLE PIPE/HANDLE COVER/SWITCH(3)

I 1



Ref. No.	L.O.N.	(Relative ref. Number) Description	F.R.T.
1	615117	SWITCH, DIMMER	0.4
2	6151A3	SWITCH, HORN	0.4
3	615118	SWITCH, WINKER	0.4
4	8101H9	PIPE, STEERING HANDLE(A)	0.9
5	8101D6	WEIGHT B, HANDLE :LEFT	0.2
	8101D7	WEIGHT B, HANDLE :RIGHT	0.2
	8101D8	WEIGHT B, HANDLE :BOTH	0.4
9	4131B6	COVER, HANDLE :REAR	0.6
	4131U1	COVER, HANDLE :BOTH	0.7
11	4131B5	COVER, HANDLE :FRONT	0.4

3

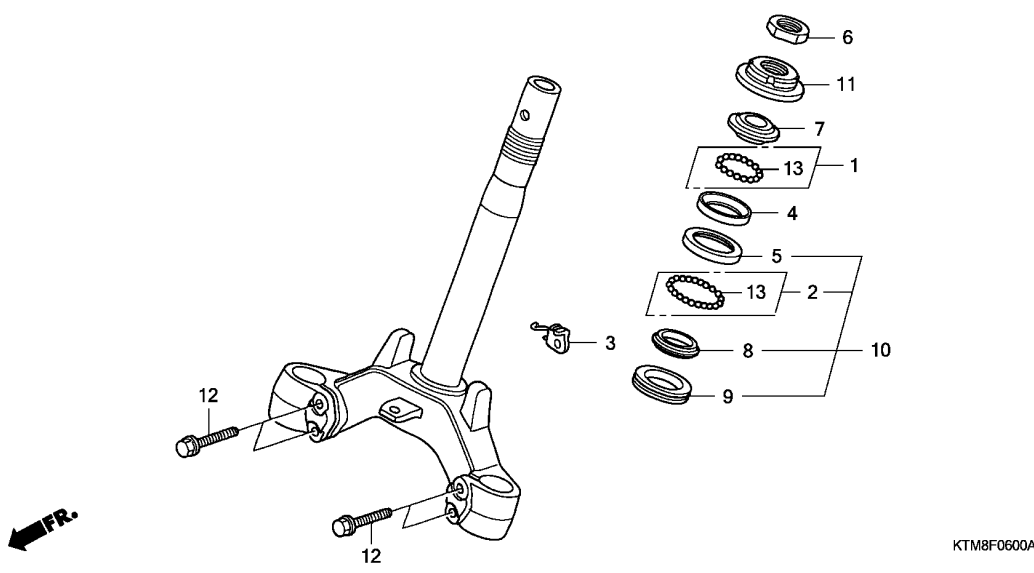
Ref. No.	Part No.	Description	Reqd. QTY					Serial No.	Parts catalogue code
			ANF125MR 5/M5	7/M7	8/M8	9/M9	AFP125 KCS/KS MCS A		
1	35170-KPH-651	SWITCH UNIT, DIMMER	-	-	-	1	-	-----	2MA
2	35180-KPH-971 35180-KVB-851	SWITCH UNIT, HORN	-	-	-	1	-	-----	2MA
3	35200-KPH-971	SWITCH UNIT, WINKER	-	-	-	1	-	-----	2MA
4	53100-KVL-T00	PIPE COMP., STEERING HANDLE	-	-	-	1	-	-----	2MA
5	53104-KPH-950	WEIGHT B, STEERING HANDLE	-	-	-	2	-	-----	2MA
6	53105-KPH-950	WEIGHT A, STEERING HANDLE	-	-	-	2	-	-----	2MA
7	53106-KR3-000	RUBBER A, HANDLE WEIGHT	-	-	-	4	-	-----	2MA
8	53108-KR3-770	RING, HANDLE WEIGHT SNAP	-	-	-	2	-	-----	2MA
9	53206-KVL-T10	COVER, RR. HANDLE	-	-	-	1	-	-----	2MA
10	53207-KPH-900	CAP, HANDLE COVER	-	-	-	1	-	-----	KCSMA,KSMA,2MA
11	53250-KVL-M20ZA	COVER SET, HANDLE FR. *TYPE1* (WL)	-	-	-	1	-	-----	2MA
	53250-KVL-M20ZB	COVER SET, HANDLE FR. *TYPE2* (WL)	-	-	-	1	-	-----	2MA
	53250-KVL-M20ZC	COVER SET, HANDLE FR. *TYPE3* (WL)	-	-	-	1	-	-----	2MA

Ref. No.	Part No.	Description	Reqd. QTY					Serial No.	Parts catalogue code
			ANF125MR 5/M5	7/M7	8/M8	9/M9	AFP125 KCS/KS MCS A		
11)	53250-KYL-730ZA	COVER SET, HANDLE FR. (WL)	-	-	-	-	1	-----	KSMA
	53250-KYL-770ZA	*NH411M*FORCE SILVER METALLIC	-	-	-	-	1	-----	KCSMA,MCSMA
	53250-KYL-770ZB	*NH411M 1*	-	-	-	-	1	-----	KCSMA,MCSMA
	53250-KYL-770ZC	*NH411M 2* FORCE SILVER METALLIC	-	-	-	-	1	-----	KCSMA,MCSMA
12	64521-MN5-000	NUT, CLIP, 4MM	-	-	6	-	6	-----	2MA
13	90103-KPH-720	BOLT, FR. HANDLE COVER	-	-	1	-	1	-----	2MA
14	90106-GN5-900	BOLT, FLANGE, 10X50	-	-	1	-	1	-----	2MA
15	90191-KPP-900	SCREW, OVAL, 6X50	-	-	2	-	2	-----	2MA
16	90304-KGH-901	NUT, U, 10MM	-	-	1	-	1	-----	2MA
17	90501-KPH-690	COLLAR A, HANDLE SETTING	-	-	1	-	1	-----	2MA
18	90505-KPH-880	COLLAR B, HANDLE SETTING	-	-	1	-	1	-----	2MA
19	91509-GE2-760	SCREW, PAN, 5X11.5	-	-	1	-	1	-----	2MA
20	93891-04016-07	SCREW-WASHER, 4X16	-	-	4	-	4	-----	2MA
21	93891-04020-07	SCREW-WASHER, 4X20	-	-	2	-	2	-----	2MA
22	93903-34380	SCREW, TAPPING, 4X12	-	-	2	-	2	-----	2MA
23	35160-KVB-851	SWITCH UNIT, STARTING	-	-	-	-	1	-----	MCSMA

F-6

STEERING STEM

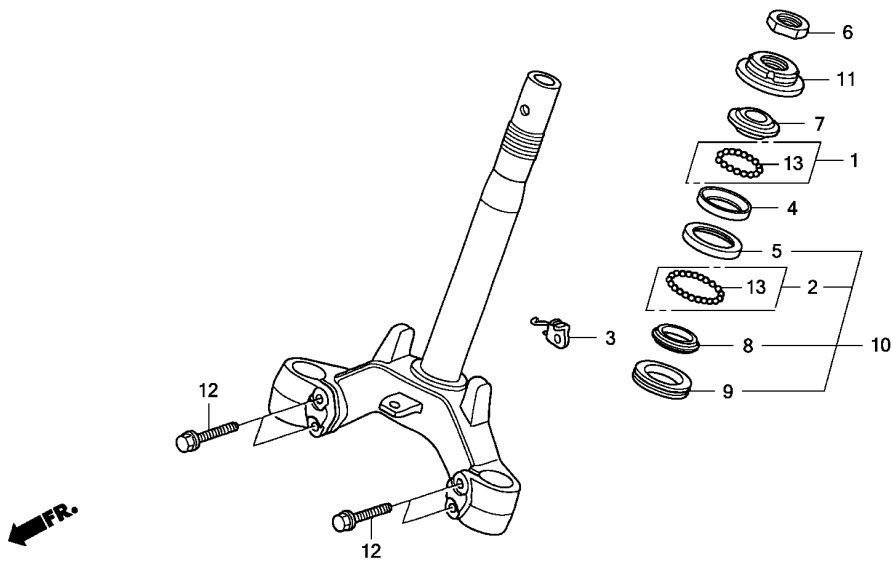
13



Ref. No.	L.O.N.	(Relative ref. Number) Description	F.R.T.
4	5101A0	RACE, STEERING BALL :UPPER ...	1.1
	5101C9	RACE, STEERING BALL :BOTH	1.1
	5101E6	RACE, STEERING BALL(A) :UPPER	1.2
		.NOTE: '07- model	
	5101E8	RACE, STEERING BALL(A) :BOTH .	1.2
		.NOTE: '07- model	
5	5101A1	RACE, STEERING BALL :LOWER ...	1.1
	5101C9	RACE, STEERING BALL :BOTH	1.1
	5101E7	RACE, STEERING BALL(A) :LOWER	1.2
		.NOTE: '07- model	
	5101E8	RACE, STEERING BALL(A) :BOTH .	1.2
		.NOTE: '07- model	
7	5101A9	RACE, STEERING TOP CONE	0.5
	5101E9	RACE, STEERING TOP CONE(A) ...	0.6
		.NOTE: '07- model	
8		(9)	
	5101B0	RACE, STEERING BOTTOM CONE ...	1.2
	5101F0	RACE, STEERING BOTTOM CONE(A)	1.3
		.NOTE: '07- model	
10	510100	STEM OR SHAFT ASSY., STEERING	1.1
	5101F1	STEM OR SHAFT ASSY., STEERING	
		(A)	1.2
		.NOTE: '07- model	
11	5101B2	THREAD, STEERING HEAD TOP	0.5
+	5101F2	THREAD, STEERING HEAD TOP(A) .	0.6

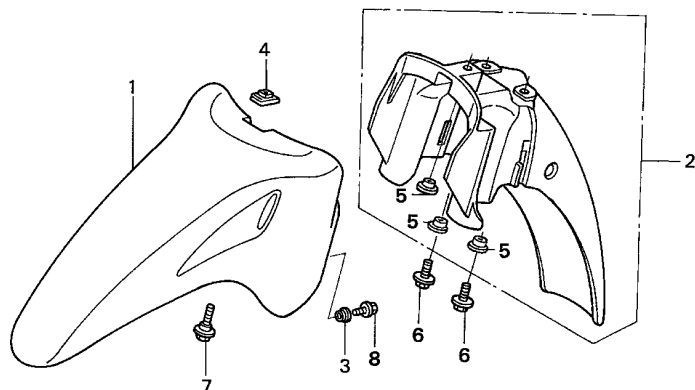
3

Ref. No.	Part No.	Description	Reqd. QTY					Serial No.	Parts catalogue code
			ANF125MR	AFP125	KCS/KS	MCS	A		
			5/M5	7/M7	8/M8	9/M9			
1	06530-GBG-B20	BALL SET, STEEL, #6X23	1	1	1	1	1		
2	06531-GBG-B20	BALL SET, STEEL, #6X29	1	1	1	1	1		
3	45465-KPH-650	GUIDE, FR. BRAKE CABLE	1	1	1	1	1		
4	50301-GN5-901	RACE, STEERING TOP BALL	1	1	1	1	1		
5	50302-GN5-900	RACE, STEERING BOTTOM BALL ..	1	1	1	1	1		
6	50306-GN5-900	NUT, STEERING STEM LOCK	1	1	1	1	1		
7	53211-GN5-900	RACE, STEERING TOP CONE	1	1	1	1	1		
8	53212-GN5-900	RACE, STEERING BOTTOM CONE ..	1	1	1	1	1		
9	53214-GN5-900	DUST SEAL, STEERING HEAD	1	1	1	1	1		
10	53219-KPH-E20	STEM SUB ASSY., STEERING	1	1	1	1	1		
11	53220-GN5-850	THREAD COMP., STEERING HEAD							
		TOP	1	1	1	1	1		
12	95801-10045-00	BOLT, FLANGE, 10X45	4	4	4	4	4		
13	96211-06000	BALL, STEEL, #6 (3/16)	52	-	-	-	-		



Ref. No.	L.O.N.	(Relative ref. Number) Description	F.R.T.
----------	--------	------------------------------------	--------

+11 .NOTE: '07- model

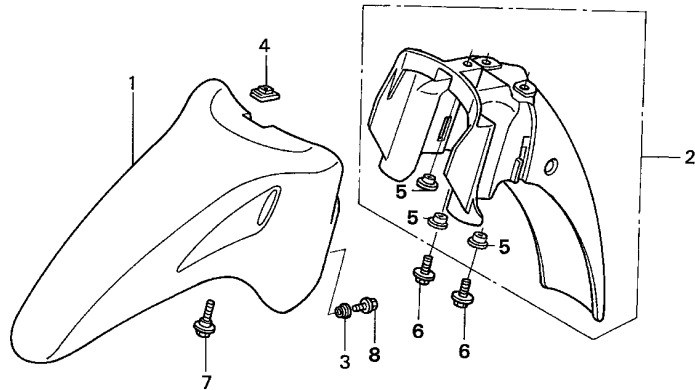


KTM8-F0700

Ref. No.	L.O.N.	(Relative ref. Number) Description	F.R.T.
1	413103	FENDER A, FRONTNOTE: Same time for two units	0.3
2	413104	FENDER B, FRONTNOTE: Same time for two units	0.3

3

Ref. No.	Part No.	Description	Reqd. QTY					Serial No.	Parts catalogue code
			ANF125MR 5/M5	7/M7	8/M8	9/M9	AFP125 KCS/KS MCS A		
1	61100-KPH-900YA	FENDER A, FR. *YR159M*							
		MAG. TECH GOLD METALLIC	1	-	-	-	-		
	61100-KPH-900ZK	*PB325C*.CANDY LIGHTNING BLUE	1	-	-	-	-		
	61100-KPH-900ZX	*RP166M*							
		KELLY MAGENTA METALLIC	1	-	-	-	-		
	61100-KPH-900ZY	*R264C*.....CANDY LUCID RED	1	-	-	-	-		
	61100-KPH-700ZM	*B196M*..NIPPIC BLUE METALLIC	-	1	-	-	-		
	61100-KPH-700ZN	*G177M*..CYBER GREEN METALLIC	-	1	-	-	-		
	61100-KPH-700ZP	*NH284M*..EURO GRAY METALLIC	-	1	-	-	-		
	61100-KPH-700ZQ	*R218M*..RADIANT RED METALLIC	-	1	-	-	-		
	61100-KPH-700ZL	*R310*.....GAYETY RED	-	-	1	-	-	MA,MMA	
	61100-KPH-700ZV	*NH341P*.PEARL FADELESS WHITE	-	-	1	-	-	MA,MMA	
	61100-KPH-700ZW	*NH1*.....BLACK	-	-	1	-	-	MA,MMA	
	61100-KVR-600ZF	*NH341P*.PEARL FADELESS WHITE	-	-	1	-	-	2MA	
	61100-KVR-600ZU	*B206M*...VITAL BLUE METALLIC	-	-	1	-	1	KSMA,2MA	
	61100-KVR-600ZV	*R331*.....VIVACITY RED	-	-	1	-	1	KSMA,2MA	
	61100-KPH-700YA	*NHA69P*							
		PEARL MAGELLANIC BLACK	-	-	1	-	-		
	61100-KPH-700YB	*R339M*..EUPHORIA RED METALLIC	-	-	1	-	-		
	61100-KVR-600ZX	*R339M*..EUPHORIA RED METALLIC	-	-	-	-	1	KCSMA,MCSMA	
	61100-KVR-600ZY	*YR271*.....NITRIC ORANGE	-	-	-	-	1	KCSMA,MCSMA	
2	61200-KPH-900	FENDER B, FR.	1	-	-	-	-		
	61200-KPH-700	FENDER COMP. B, FR.	-	1	-	1	-		
			-	-	1	-	-	MA,MMA	



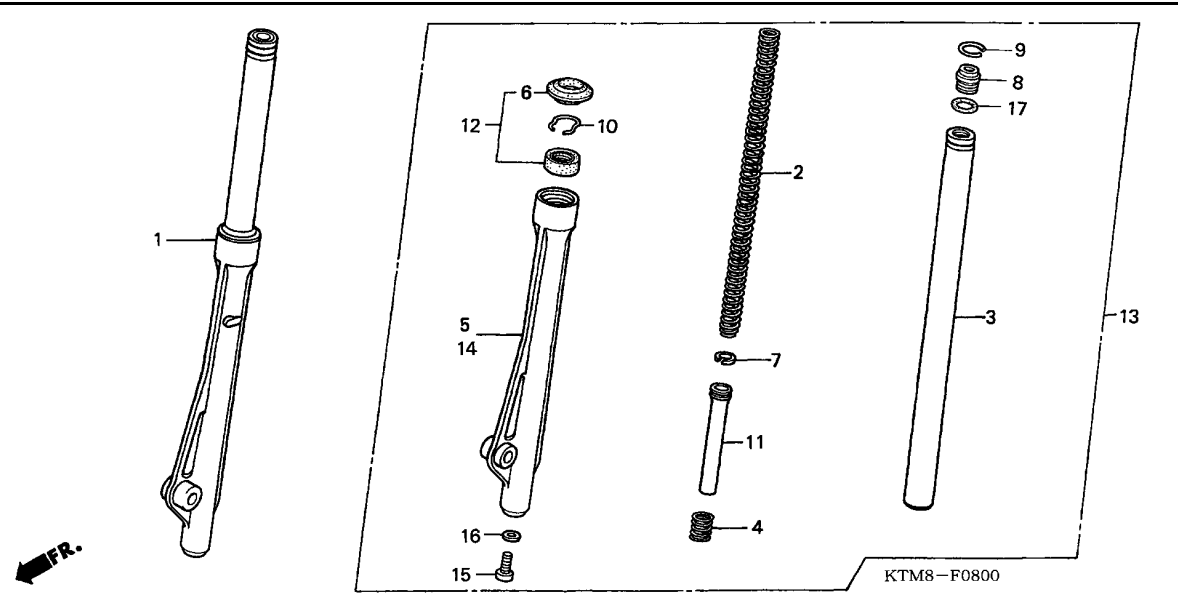
KTM8-F0700

Ref. No.	Part No.	Description	Reqd. QTY					Serial No.	Parts catalogue code	
			ANF125MR				AFP125			
			5/M5	7/M7	8/M8	9/M9	A			
(2)	61200-KTL-740	FENDER B, FR.	-	-	1	-	-	-----	-----	2MA
3	81312-KPH-900	COLLAR, FR. FENDER	2	2	2	2	2			
4	84601-HA7-670	NUT, FENDER SETTING	1	1	1	1	1			
5	90503-KBP-900	COLLAR, MAIN SIDE COVER	3	3	3	3	3			
6	96001-06014-00	BOLT, FLANGE, 6X14	2	2	2	2	2			
7	96001-06025-00	BOLT, FLANGE, 6X25	1	1	1	1	1			
8	96001-06016-00	BOLT, FLANGE, 6X16	2	2	2	2	2			



F-8

FRONT FORK



Ref. No.	L.O.N.	(Relative ref. Number) Description	F.R.T.
1	5111C3	FORK ASSY., FRONT :RIGHT	0.5
	5111C4	FORK ASSY., FRONT :BOTH	0.7
2	5111C5	SPRING, FRONT FORK :LEFT	0.7
	5111C6	SPRING, FRONT FORK :RIGHT	0.7
	5111C7	SPRING, FRONT FORK :BOTH	1.0
3		(4,7,11)	
	5111G2	PIPE, FRONT FORK :LEFT	0.8
	5111G3	PIPE, FRONT FORK :RIGHT	0.8
	5111G4	PIPE, FRONT FORK :BOTH	1.3
5	5111D2	CASE, BOTTOM :RIGHT	0.9
	5111D3	CASE, BOTTOM :BOTH	1.5
12	5111E7	SEAL SET, FRONT FORK :LEFT	0.8
	5111E8	SEAL SET, FRONT FORK :RIGHT	0.8
	5111E9	SEAL SET, FRONT FORK :BOTH	1.3
13	5111C2	FORK ASSY., FRONT :LEFT	0.5
14	5111D1	CASE, BOTTOM :LEFT	0.9

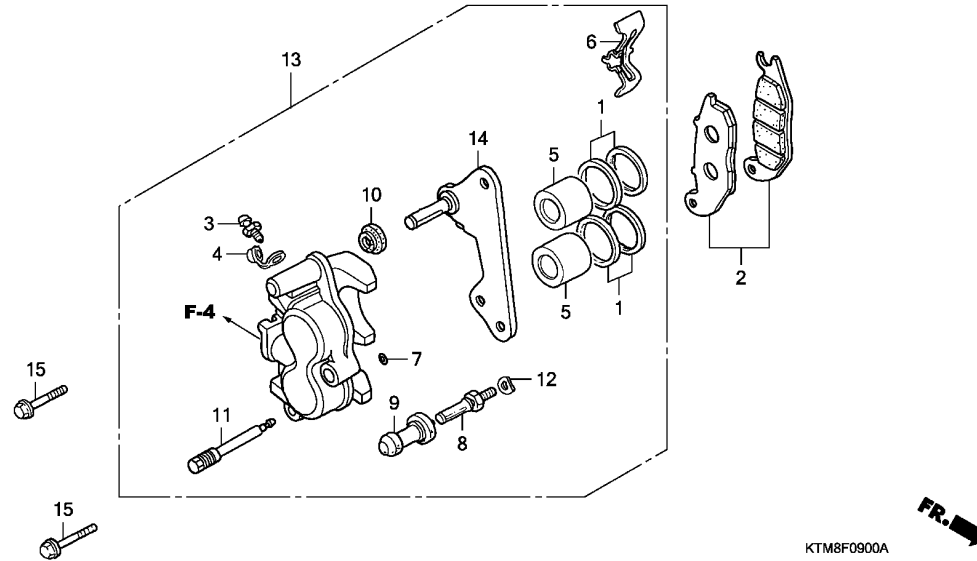
3

Ref. No.	Part No.	Description	Reqd. QTY					Serial No.	Parts catalogue code
			ANF125MR				AFP125		
			5/M5	7/M7	8/M8	9/M9	A		
1	51400-KTM-881	FORK ASSY., R. FR.	1	1	-	1	-		
	51400-KVL-M21		-	-	1	-	1	-----	----- KSMA,MA,MMA
	51400-KVL-M21		-	-	1	-	1	-----	----- KCSMA,MCSMA,2MA
2	51401-KPH-971	SPRING, FR. FORK	2	2	2	2	2		
3	51410-KTM-881	PIPE COMP., FR. FORK	2	2	2	2	2		
4	51412-GN5-901	SPRING, REBOUND	2	2	2	2	2		
5	51420-KPH-651	CASE, R. FR. BOTTOM	1	1	-	1	-		
	51420-KVL-T01		-	-	1	-	1	-----	----- KSMA,MA,MMA
	51420-KVL-T01		-	-	1	-	1	-----	----- KCSMA,MCSMA,2MA
6	51425-GN5-901	SEAL, DUST	2	2	2	2	2		
7	51437-KGH-901	RING, PISTON	2	2	2	2	2		
8	51454-KEV-881	SEAT B, SPRING	2	2	2	2	2		
9	51456-KPH-901	RING, STOPPER	2	2	2	2	2		
10	51466-065-901	RING, OIL SEAL STOPPER	2	2	2	2	2		
11	51470-KPH-971	PIPE, SEAT	2	2	2	2	2		
12	51490-KGH-901	SEAL SET, FR. FORK	2	2	2	2	2		
13	51500-KTM-881	FORK ASSY., L. FR.	1	1	-	1	-		
	51500-KVL-M21		-	-	1	-	1	-----	----- KSMA,MA,MMA
	51500-KVL-M21		-	-	1	-	1	-----	----- KCSMA,MCSMA,2MA
14	51520-KPH-651	CASE, L. FR. BOTTOM	1	1	-	1	-		
	51520-KVL-T01		-	-	1	-	1	-----	----- KSMA,MA,MMA
	51520-KVL-T01		-	-	1	-	1	-----	----- KCSMA,MCSMA,2MA
15	90116-KV3-701	BOLT, SOCKET, 8MM	2	2	2	2	2		
16	90544-283-000	WASHER, SPECIAL, 8MM	2	2	2	2	2		
17	91356-GM0-003	O-RING	2	2	2	2	2		

F-9

FRONT BRAKE CALIPER

18



Ref. No.	L.O.N.	(Relative ref. Number) Description	F.R.T.
2	711115	SHOE(PAD) SET, BRAKE :FRONT .. (1)	0.1
5	7111D1	PISTON, FRONT BRAKE CALIPER .. .INCLUDES: Bleed brakes .NOTE: Same time for two units	0.5
13	711130	CALIPER, FRONT BRAKE	0.4
14	7111G0	BRACKET, FRONT CALIPER	0.2

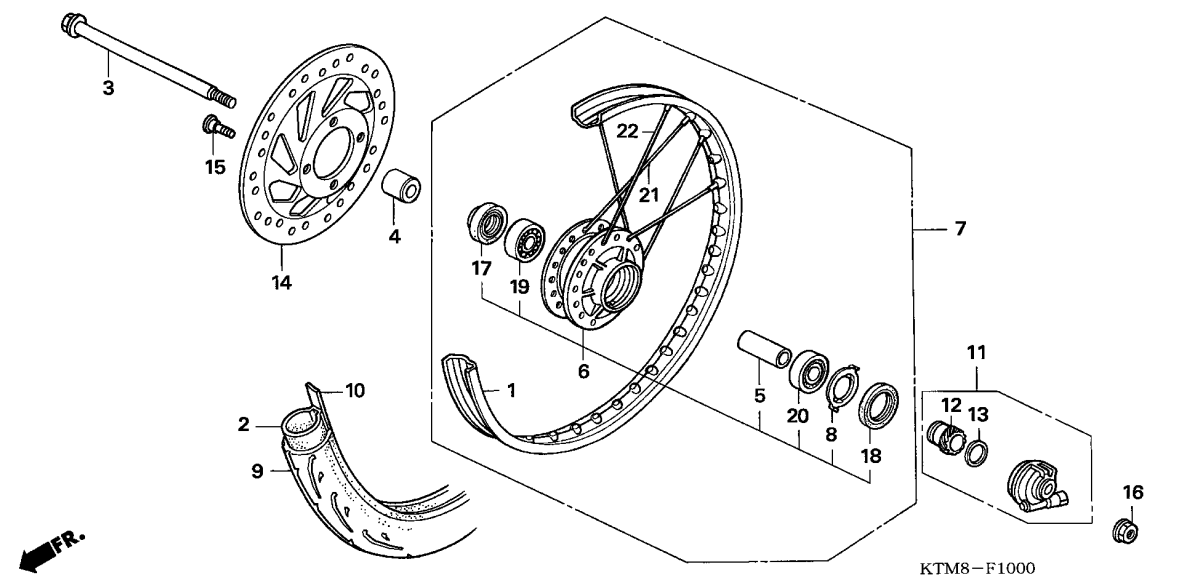
Ref. No.	Part No.	Description	Reqd. QTY					Serial No.	Parts catalogue code
			ANF125MR	AFP125	KCS/KS	MCS	A		
			5/M5	7/M7	8/M8	9/M9			
1	06451-GE2-405	SEAL SET, PISTON	2	2	2	2	2		
2	06455-KPH-951	PAD SET, FR.	1	-	-	-	-		
	06455-KPY-932	PAD SET, FR. BRAKE	-	1	-	-	-		
	06455-KPY-933	-	-	1	1	1		
3	43352-568-003	SCREW, BLEEDER (NISSIN)	1	1	1	1	1		
4	43353-461-771	CAP, BLEEDER	1	1	1	1	1		
5	45107-GE2-006	PISTON	2	2	2	2	2		
6	45108-KPH-951	SPRING, PAD	1	1	1	1	1		
7	45111-MAJ-G41	RING, STOPPER	1	1	1	1	1		
8	45131-GZ0-006	BOLT, PIN	1	1	1	1	1		
9	45132-166-016	BOOT, PIN BUSH (NISSIN)	1	1	1	1	1		
10	45133-MA3-006	BOOT B	1	1	1	1	1		
11	45215-KPH-951	PIN, HANGER	1	1	1	1	1		
12	45216-166-006	WASHER, WAVE	1	1	1	1	1		
13	45250-KPH-951	CALIPER SUB ASSY., R. FR. (NISSIN)	1	1	1	1	-		
	45250-KTL-671	-	-	-	-	1		
14	45290-KPH-951	BRACKET SUB ASSY., FR. CALIPER	1	1	1	1	1		
15	90131-KGH-900	BOLT, FLANGE, 8X25	2	2	2	2	2		

3

F-10

FRONT WHEEL(1)

19



Ref. No.	L.O.N.	(Relative ref. Number) Description	F.R.T.
1	710109	RIM, WHEEL :FRONT	2.2
2		(10)	
	710140	TUBE, FRONT TIRE(ONE)	0.8
3	710151	AXLE, FRONT WHEEL	0.2
6	710103	HUB, FRONT WHEEL	2.3
7	710104	FRONT WHEEL	0.9
9		(10)	
	710139	FRONT TIRE(ONE)	0.8
11	710145	GEARBOX ASSY., SPEEDOMETER	0.2
14	711120	DISC, FRONT BRAKE	0.3
19		(5,20)	
	710115	BEARING, FRONT WHEEL(ONE)	0.4
	710115G	.Replace 1 bearing add	0.1

KTM8-F1000

3

Ref. No.	Part No.	Description	Reqd. QTY					Serial No.	Parts catalogue code
			ANF125MR	AFP125	KCS/KS				
			5/M5	7/M7	8/M8	9/M9	A		
1	42701-KW7-900	RIM, WHEEL	1	-	-	-	-		
	42701-KW7-901	-	1	1	1	-		
2	42712-KFM-901	TUBE, TIRE (DUNLOP)	-	-	-	-	1	-----	KSMA
		(80/90-17M/C)	1	1	1	1	-	-----	KSMA
	42712-KTM-972	TUBE, TIRE (IRC)(80/90-17M/C)	-	-	-	-	1	-----	KSMA
3	44301-KPH-900	AXLE, FR. WHEEL	1	1	1	1	-	-----	KSMA
	44301-KWB-600	-	-	-	-	1	-----	KSMA
4	44311-KPH-900	COLLAR, FR. WHEEL SIDE	1	1	1	1	-	-----	KSMA
		-	-	-	-	1	-----	KSMA
5	44620-KPH-650	COLLAR, FR. AXLE DISTANCE	1	1	1	1	-	-----	KSMA
		-	-	-	-	1	-----	KSMA
6	44635-KPH-650ZA	HUB SUB ASSY., FR.	1	1	1	1	-		
		*NH364M*SHEEN SILVER METALLIC							
	44635-KYL-730ZA	HUB SUB ASSY., FR. WHEEL	-	-	-	-	1	-----	KSMA
		*NH364M*SHEEN SILVER METALLIC							
7	44650-KTM-880ZA	WHEEL SUB ASSY., FR.	1	-	-	-	-		
		*NH364M*SHEEN SILVER METALLIC							
	44650-KTM-881ZA	*NH364M*SHEEN SILVER METALLIC	-	1	1	1	-	-----	KSMA
	44650-KYL-730ZA	*NH364M*SHEEN SILVER METALLIC	-	-	-	-	1	-----	KSMA
8	44680-166-000	RETAINER, GEAR BOX	1	1	1	1	-	-----	KSMA
		-	-	-	-	1	-----	KSMA
9	44711-KPH-971	TIRE, FR. (DUNLOP)	1	1	1	1	-	-----	KSMA
		(70/100-17 M/C 40P)	-	-	-	-	1	-----	KSMA

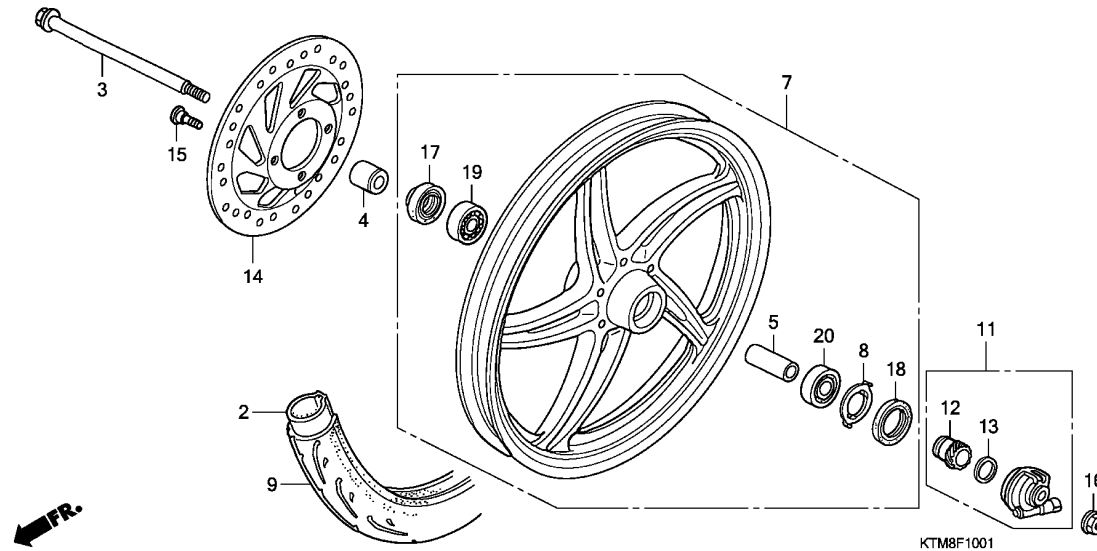
Ref. No.	Part No.	Description	Reqd. QTY					Serial No.	Parts catalogue code
			ANF125MR				AFP125		
			5/M5	7/M7	8/M8	9/M9	A		
(9)	44711-KTM-972	TIRE, FR. (IRC) (70/100-17 M/C 40P)	-	1	1	1	-	-	-
			-	-	-	-	1	-----	KSMA
10	44713-KFM-901	FLAP, TIRE (DUNLOP)(17X1.40)	1	1	1	1	-	-----	KSMA
	42713-001-000	FLAP, TIRE (IRC)	-	1	1	1	-	-----	KSMA
			-	-	-	-	1	-----	KSMA
11	44800-KPH-651	BOX ASSY., SPEEDOMETER GEAR	1	1	1	1	-	-----	KSMA
			-	-	-	-	1	-----	KSMA
12	44806-KGH-901	GEAR, SPEEDOMETER	1	1	1	1	-	-----	KSMA
			-	-	-	-	1	-----	KSMA
13	44809-KFM-900	WASHER, SPEEDOMETER GEAR	1	1	1	1	-	-----	KSMA
			-	-	-	-	1	-----	KSMA
14	45251-KPH-951	DISK, FR. BRAKE (NHK)	1	1	1	1	-	-----	KSMA
	45251-KPH-702	DISK, FR. BRAKE (SUNSTAR) ...	-	1	1	1	-	-----	KSMA
	45251-KTM-751	DISK, FR. BRAKE (NHK)	-	-	-	-	1	-----	KSMA
	45251-KTM-752	DISK, FR. BRAKE (SUNSTAR) ...	-	-	-	-	1	-----	KSMA
15	90105-KGH-900	BOLT, BRAKE DISK, 8X24	4	4	4	4	-	-----	KSMA
			-	-	-	-	4	-----	KSMA
16	90306-KGH-901	NUT, U, 12MM	1	1	1	1	-	-----	KSMA
			-	-	-	-	1	-----	KSMA
17	91251-KPH-901	DUST SEAL, 21X37X7	1	1	1	1	-	-----	KSMA
			-	-	-	-	1	-----	KSMA
18	91258-KGH-902	DUST SEAL, 40X50X5(NOK)	1	1	1	1	-	-----	KSMA
			-	-	-	-	1	-----	KSMA
	91258-410-013	DUST SEAL, 40X50X5(ARAI)	1	1	1	1	-	-----	KSMA
			-	-	-	-	1	-----	KSMA
19	96140-62010-10	BEARING, RADIAL BALL, 6201U	1	1	1	1	-	-----	KSMA
			-	-	-	-	1	-----	KSMA
	91052-KWB-601	BEARING, RADIAL BALL, 6201U (NTN)	-	-	-	-	1	-----	KSMA
20	96140-63010-10	BEARING, RADIAL BALL, 6301U	1	1	1	1	-	-----	KSMA
			-	-	-	-	1	-----	KSMA
	91053-KWB-601	BEARING, RADIAL BALL, 6301U (NTN)	-	-	-	-	1	-----	KSMA
21	97280-31209-K0	SPOKE SET (A11X184.5)	18	18	18	18	-	-----	KSMA
		(INSIDE)	-	-	-	-	18	-----	KSMA
22	97550-31209-K0	SPOKE SET (A11X184.5)	18	18	18	18	-	-----	KSMA
		(OUTSIDE)	-	-	-	-	18	-----	KSMA



F-10-1

FRONT WHEEL(2)

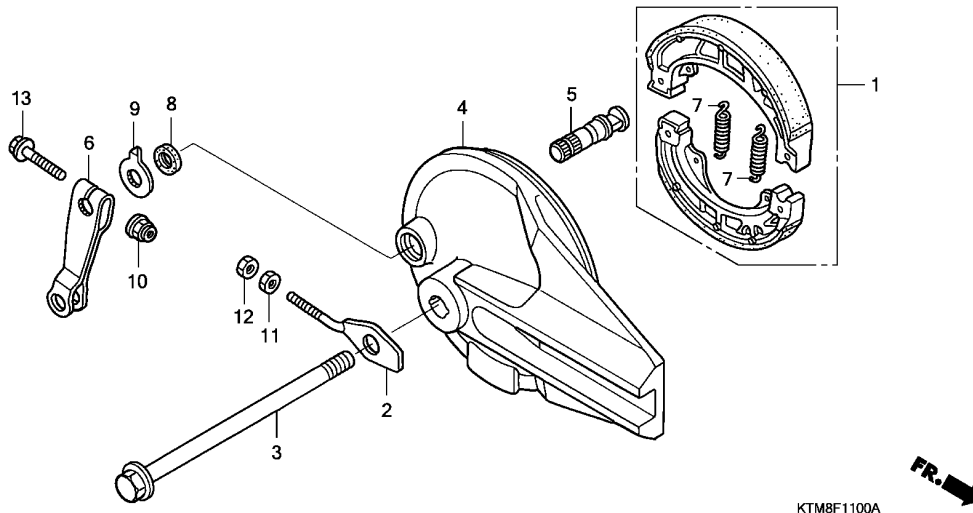
I11



Ref. No.	L.O.N.	(Relative ref. Number) Description	F.R.T.
2	710140	TUBE, FRONT TIRE(ONE)	0.8
3	710151	AXLE, FRONT WHEEL	0.2
5	7101B6	COLLAR, AXLE DISTANCE :FRONT ..	0.4
7	7101D4	FRONT WHEEL	0.9
9	710139	FRONT TIRE(ONE)	0.8
11	710145	GEARBOX ASSY., SPEEDOMETER ...	0.2
14	711120	DISC, FRONT BRAKE	0.3
19	710115	BEARING, FRONT WHEEL(ONE)	0.4
	710115G	.Replace 1 bearing add	0.1

3

Ref. No.	Part No.	Description	Reqd. QTY					Serial No.	Parts catalogue code
			ANF125MR 5/M5	7/M7	8/M8	9/M9	AFP125 KCS/KS MCS A		
2	42712-KFM-901	TUBE, TIRE (DUNLOP) (80/90-17M/C)	-	-	-	-	1	-----	KCSMA, MCSMA
	42712-KTM-972	TUBE, TIRE (IRC)(80/90-17M/C)	-	-	-	-	1	-----	KCSMA, MCSMA
3	44301-KWB-600	AXLE, FR. WHEEL	-	-	-	-	1	-----	KCSMA, MCSMA
4	44311-KPH-900	COLLAR, FR. WHEEL SIDE	-	-	-	-	1	-----	KCSMA, MCSMA
5	44620-KPH-650	COLLAR, FR. AXLE DISTANCE ...	-	-	-	-	1	-----	KCSMA, MCSMA
7	44650-KVR-V30ZA	WHEEL SUB ASSY., FR. *NH303M*	-	-	-	-	1	-----	KCSMA, MCSMA
		MAT AXIS GRAY METALLIC	-	-	-	-	1	-----	KCSMA, MCSMA
8	44680-166-000	RETAINER, GEAR BOX	-	-	-	-	1	-----	KCSMA, MCSMA
9	44711-KPH-971	TIRE, FR. (DUNLOP) (70/100-17 M/C 40P)	-	-	-	-	1	-----	KCSMA, MCSMA
	44711-KTM-972	TIRE, FR. (IRC) (70/100-17 M/C 40P)	-	-	-	-	1	-----	KCSMA, MCSMA
11	44800-KPH-651	BOX ASSY., SPEEDOMETER GEAR ..	-	-	-	-	1	-----	KCSMA, MCSMA
12	44806-KGH-901	GEAR, SPEEDOMETER	-	-	-	-	1	-----	KCSMA, MCSMA
13	44809-KFM-900	WASHER, SPEEDOMETER GEAR	-	-	-	-	1	-----	KCSMA, MCSMA
14	45251-KTM-751	DISK, FR. BRAKE (NHK)	-	-	-	-	1	-----	KCSMA, MCSMA
	45251-KTM-752	DISK, FR. BRAKE (SUNSTAR)	-	-	-	-	1	-----	KCSMA, MCSMA
15	90105-KGH-900	BOLT, BRAKE DISK, 8X24	-	-	-	-	4	-----	KCSMA, MCSMA
16	90306-KGH-901	NUT, U, 12MM	-	-	-	-	1	-----	KCSMA, MCSMA
17	91251-KPH-901	DUST SEAL, 21X37X7	-	-	-	-	1	-----	KCSMA, MCSMA
18	91258-KGH-902	DUST SEAL, 40X50X5(NOK)	-	-	-	-	1	-----	KCSMA, MCSMA
	91258-410-013	DUST SEAL, 40X50X5(ARAI)	-	-	-	-	1	-----	KCSMA, MCSMA
19	96150-62010-10	BEARING, RADIAL BALL, 6201UU ..	-	-	-	-	1	-----	KCSMA, MCSMA
20	96150-63010-10	BEARING, RADIAL BALL, 6301UU ..	-	-	-	-	1	-----	KCSMA, MCSMA



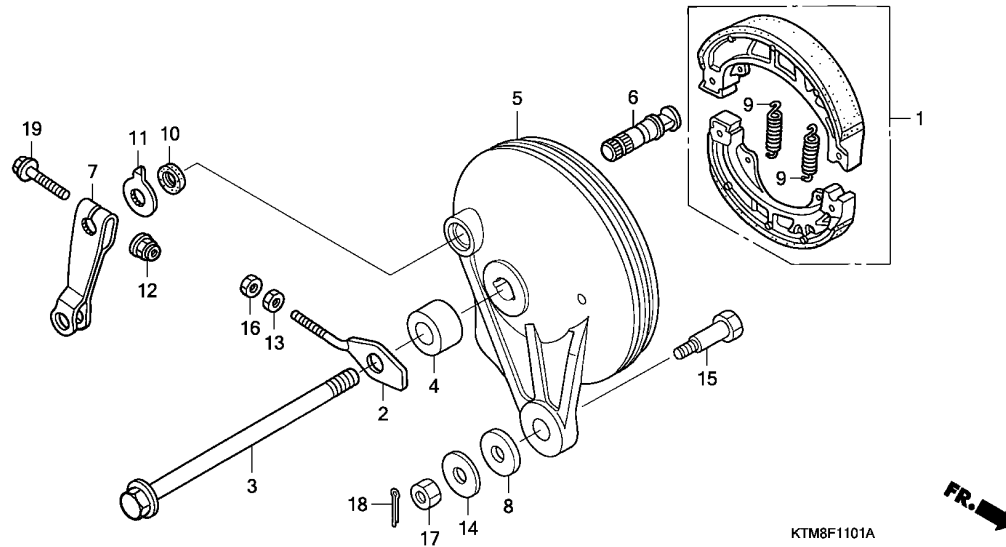
Ref. No.	L.O.N.	(Relative ref. Number) Description	F.R.T.
1	711140	SHOE(PAD) SET, BRAKE :REAR ...	0.4
3	710160	AXLE, REAR WHEEL	0.3
4		(5)	
	7111A9	PANEL, REAR BRAKE	0.5
6	7111C4	ARM, BRAKE :REAR	0.1

Ref. No.	Part No.	Description	Reqd. QTY					Serial No.	Parts catalogue code
			ANF125MR	AFP125	KCS/KS				
			5/M5	7/M7	8/M8	9/M9	A		
1	06430-KPH-900	SHOE SET, BRAKE (NISSIN)	1	-	-	-	-		
2	40543-KEV-900	ADJUSTER, R. CHAIN	1	-	-	-	-		
3	42301-KPG-900	AXLE, RR. WHEEL	1	-	-	-	-		
4	43100-KPH-900ZA	PANEL COMP., RR. BRAKE *NH364M*SHEEN SILVER METALLIC	1	-	-	-	-		
5	43141-GC5-000	CAM, RR. BRAKE	1	-	-	-	-		
	43141-GC5-003	1	-	-	-	-		
6	43410-KPH-900	ARM, RR. BRAKE	1	-	-	-	-		
7	45133-028-000	SPRING, BRAKE SHOE	2	-	-	-	-		
8	45134-250-000	DUST SEAL, BRAKE CAM	1	-	-	-	-		
9	45145-KFM-900	INDICATOR, FR. BRAKE							
		(RR.)	1	-	-	-	-		
10	90301-KGH-901	NUT, U, 6MM	1	-	-	-	-		
11	90302-KBP-900	NUT, SPECIAL, 6MM	1	-	-	-	-		
12	94001-06000-0S	NUT, HEX., 6MM	1	-	-	-	-		
13	95701-06035-00	BOLT, FLANGE, 6X35	1	-	-	-	-		

F-11-1

REAR BRAKE PANEL(2)

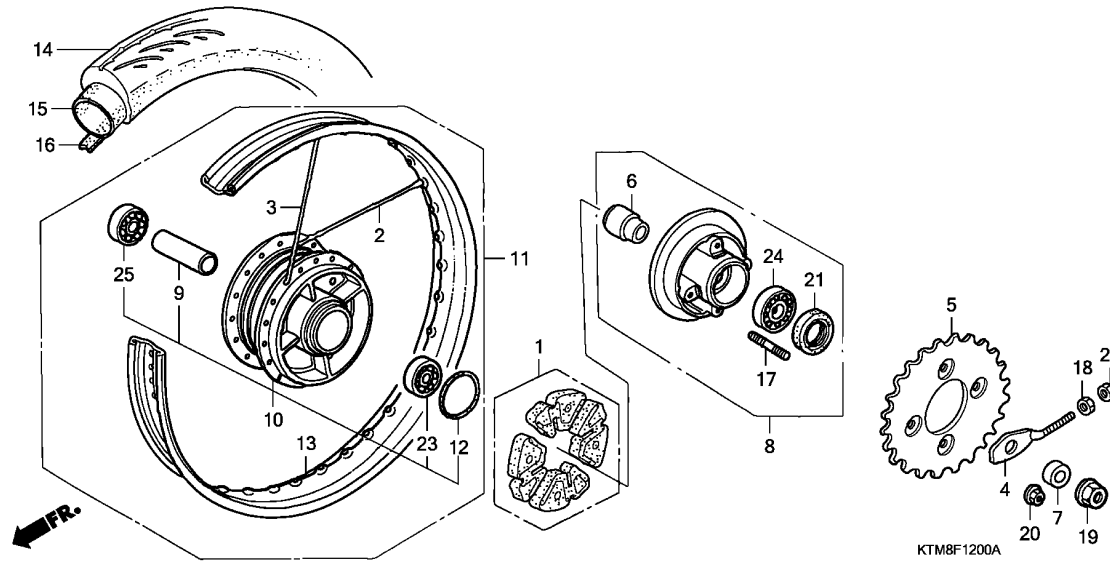
I13



Ref. No.	L.O.N.	(Relative ref. Number) Description	F.R.T.
1	711140	SHOE(PAD) SET, BRAKE :REAR ...	0.4
3	710160	AXLE, REAR WHEEL	0.3
5		(6)	
	7111A9	PANEL, REAR BRAKE	0.5
7	7111C4	ARM, BRAKE :REAR	0.1

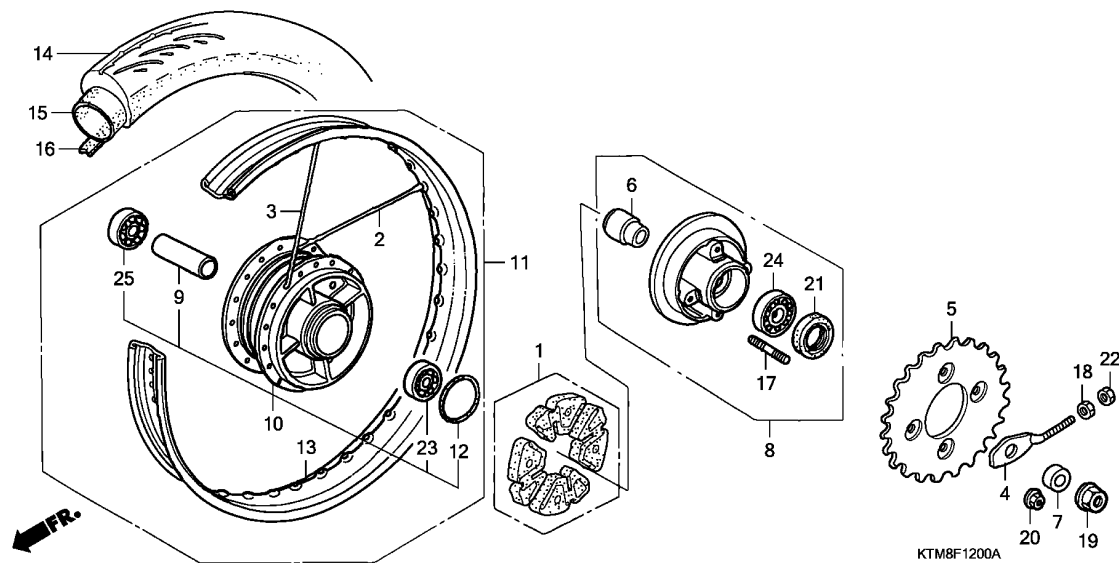
3

Ref. No.	Part No.	Description	Reqd. QTY					Serial No.	Parts catalogue code
			ANF125MR 5/M5	7/M7	8/M8	9/M9	AFP125 KCS/KS MCS A		
1	06430-KPH-900	SHOE SET, BRAKE (NISSIN)	-	1	1	1	1		
2	40543-KEV-900	ADJUSTER, R. CHAIN	-	1	1	1	1		
3	42301-KPG-900	AXLE, RR. WHEEL	-	1	1	1	1		
4	42313-GBG-B20	COLLAR, RR. BRAKE PANEL SIDE	-	1	1	1	1		
5	43100-KPH-700ZA	PANEL COMP., RR. BRAKE *NH364M*SHEEN SILVER METALLIC	-	1	1	1	-		
	43100-KPH-700ZC	*NH303M* MAT AXIS GRAY METALLIC	-	-	-	-	1	-----	----- KCSMA, MCSMA
6	43141-GC5-003	CAM, RR. BRAKE	-	1	1	1	1		
7	43410-KPH-900	ARM, RR. BRAKE	-	1	1	1	1		
8	43434-ME1-670	RUBBER, STOPPER ARM	-	1	1	1	1		
9	45133-028-000	SPRING, BRAKE SHOE	-	2	2	2	2		
10	45134-250-000	DUST SEAL, BRAKE CAM	-	1	1	1	1		
11	45145-KFM-900	INDICATOR, FR. BRAKE	-	1	1	1	1		
		(RR.)	-	1	1	1	1		
12	90301-KGH-901	NUT, U, 6MM	-	1	1	1	1		
13	90302-KBP-900	NUT, SPECIAL, 6MM	-	1	1	1	1		
14	90505-425-000	WASHER, 8MM	-	1	1	1	1		
15	92811-10000	BOLT A, BRAKE STOPPER	-	1	1	1	1		
16	94001-06000-0S	NUT, HEX., 6MM	-	1	1	1	1		
17	94001-08000-0S	NUT, HEX., 8MM	-	1	1	1	1		
18	94201-20150	PIN, SPLIT, 2.0X15	-	1	1	1	1		
19	95701-06035-00	BOLT, FLANGE, 6X35	-	1	1	1	1		

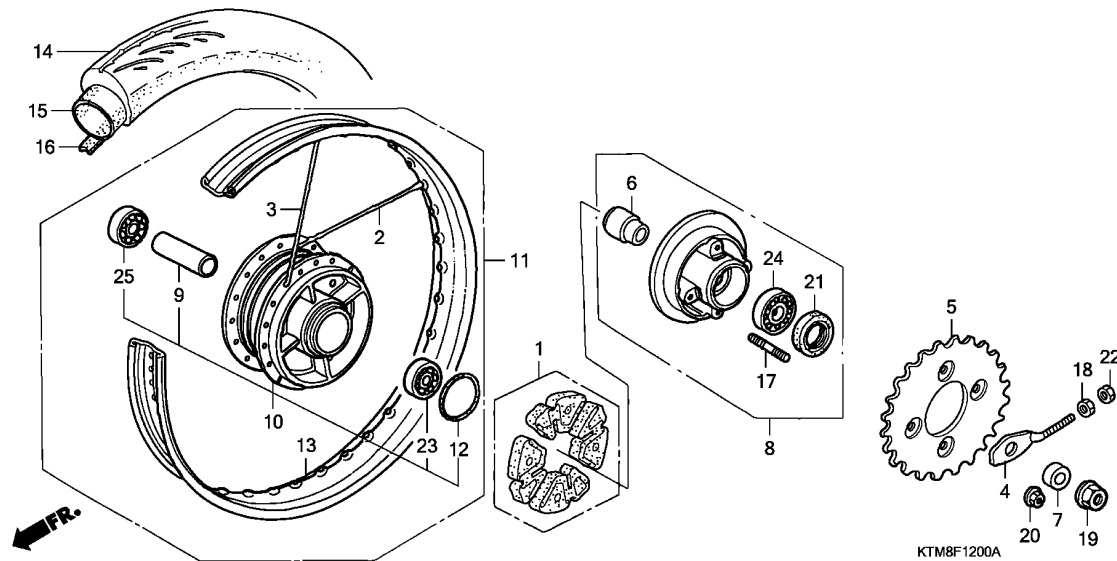


Ref. No.	L.O.N.	(Relative ref. Number) Description	F.R.T.
1	710157	DAMPER, REAR WHEEL	0.3
5	7101A0	SPROCKET, FINAL DRIVEN	0.4
8	7101A5	FLANGE ASSY., FINAL DRIVEN ...	0.4
10	710121	HUB, REAR WHEEL	2.4
11	710118	REAR WHEEL	0.9
13	710127	RIM, WHEEL :REAR	2.3
14		(16)	
14	710142	REAR TIRE(ONE)	0.8
15		(16)	
15	7101A7	TUBE, REAR TIRE(ONE)	0.8
23		(9,25)	
	710133	BEARING, REAR WHEEL(ONE)	0.5
	710133G	.Replace 1 bearing add	0.1
24	7101D1	BEARING, FINAL DRIVEN FLANGE ..	0.5

Ref. No.	Part No.	Description	Reqd. QTY					Serial No.	Parts catalogue code
			ANF125MR	AFP125					
			5/M5	7/M7	8/M8	9/M9	A		
1	06410-KFL-850	DAMPER SET, WHEEL	1	1	1	1	-		
2	06420-KFL-850	SPOKE SET A, 10X159.0 (INSIDE)	-	-	-	-	1	-----	KSMA
3	06421-KFL-850	SPOKE SET A, 10X158.5 (OUTSIDE)	-	-	-	-	18	-----	KSMA
4	40543-KEV-900	ADJUSTER, R. CHAIN (L.)	-	-	-	-	18	-----	KSMA
5	41201-KPH-971	SPROCKET, FINAL DRIVEN (35T)	1	1	-	1	-	-----	KSMA
	41201-KVL-910	-	1	-	1	-	-----	MA,MMA
	41201-KPH-721	SPROCKET, FINAL DRIVEN (35T) (SUNSTAR)	-	-	1	-	1	-----	KSMA,2MA
6	42303-KAN-T40	SLEEVE, RR. WHEEL	1	1	1	1	-	-----	KSMA
7	42304-KFM-900	COLLAR, RR. WHEEL SIDE	1	1	1	1	-	-----	KSMA
8	42615-KPH-900	FLANGE SUB ASSY., FINAL DRIVEN	1	1	1	1	-	-----	KSMA
	42615-KYL-840	-	-	-	-	1	-----	KSMA
9	42620-KFL-850	COLLAR, RR. AXLE DISTANCE ...	1	1	1	1	-	-----	KSMA
10	42635-KPH-900ZA	HUB SUB ASSY., RR. *NH364M* SHEEN SILVER METALLIC	1	1	1	1	-		



Ref. No.	Part No.	Description	Reqd. QTY					Serial No.	Parts catalogue code
			ANF125MR 5/M5	7/M7	8/M8	9/M9	AFP125 KCS/KS MCS A		
10)	42635-KYL-730ZA	HUB SUB ASSY., RR. *NH364M*SHEEN SILVER METALLIC	-	-	-	-	1	-----	KSMA
11	42650-KPH-970ZA	WHEEL SUB ASSY., RR. *NH364M*SHEEN SILVER METALLIC	1	1	1	1	-	-----	KSMA
	42650-KYL-730ZA	*NH364M*SHEEN SILVER METALLIC	-	-	-	-	1	-----	KSMA
12	42653-001-004	O-RING, 40.5X3 (NIPPON DUST KEEPER)	1	1	1	1	-	-----	KSMA
13	42701-KPH-970	RIM, RR. WHEEL	1	1	1	1	-	-----	KSMA
14	42711-KPH-971	TIRE, RR. (DUNLOP) (80/90-17 M/C 50P)	1	1	1	1	-	-----	KSMA
	42711-KTM-972	TIRE, RR. (IRC) (80/90-17 M/C 50P)	-	1	1	1	-	-----	KSMA
15	42712-KFM-901	TUBE, TIRE (DUNLOP) (80/90-17M/C)	1	1	1	1	-	-----	KSMA
	42712-KTM-972	TUBE, TIRE (IRC)(80/90-17M/C)	-	1	1	1	-	-----	KSMA
16	44713-KFM-901	FLAP, TIRE (DUNLOP)(17X1.40)	1	1	1	1	-	-----	KSMA
	42713-102-005	FLAP, TIRE (IRC)(17)	-	1	1	1	-	-----	KSMA
			-	-	-	-	1	-----	KSMA

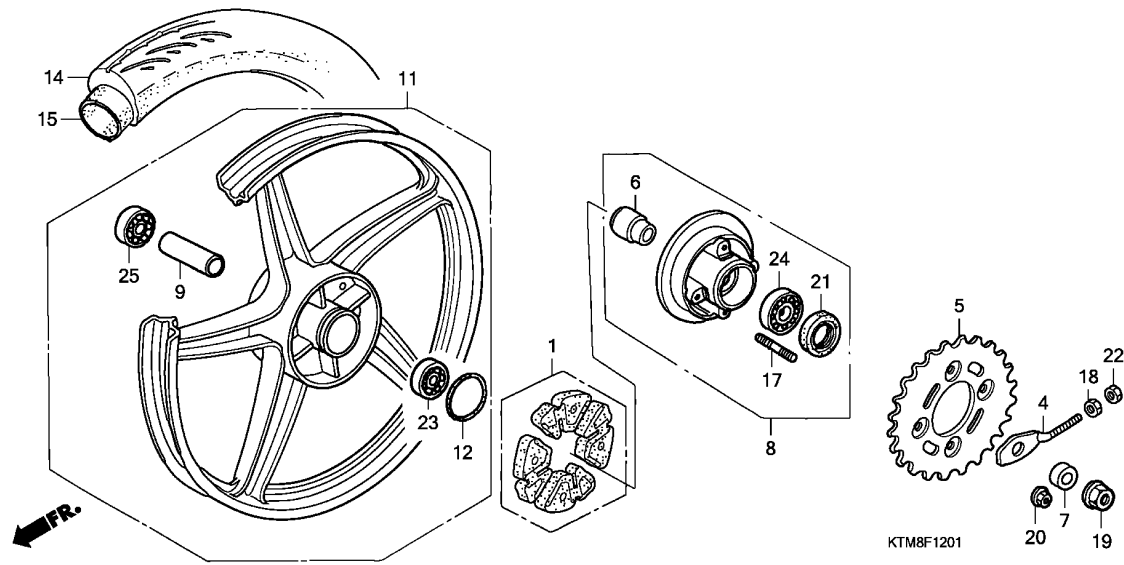


Ref. No.	Part No.	Description	Reqd. QTY					Serial No.	Parts catalogue code
			ANF125MR	AFP125	KCS/KS	MCS	A		
			5/M5	7/M7	8/M8	9/M9			
17	90128-KFM-900	BOLT, STUD, 8X19.5	4	4	4	4	-		
18	90302-KBP-900	NUT, SPECIAL, 6MM	1	1	1	1	4	----- KSMA	
19	90306-KGH-901	NUT, U, 12MM	1	1	1	1	-	----- KSMA	
20	90309-357-000	NUT, HEX., 8MM	4	4	4	4	-	----- KSMA	
21	91251-KGH-901	DUST SEAL, 27X40X4.5(ARAI)	1	1	1	1	-	----- KSMA	
	91251-KGH-902	DUST SEAL, 27X40X4.5(NOK)	1	1	1	1	-	----- KSMA	
22	94001-06000-0S	NUT, HEX., 6MM	1	1	1	1	-	----- KSMA	
23	96140-62010-10	BEARING, RADIAL BALL, 6201U	1	1	1	1	-	----- KSMA	
	91052-KWB-601	BEARING, RADIAL BALL, 6201U (NTN)	-	-	-	-	1	----- KSMA	
24	96140-62030-10	BEARING, RADIAL BALL, 6203U	1	1	1	1	-	----- KSMA	
	91054-KWB-601	BEARING, RADIAL BALL, 6203U (NTN)	-	-	-	-	1	----- KSMA	
25	96140-63010-10	BEARING, RADIAL BALL, 6301U	1	1	1	1	-	----- KSMA	
	91053-KWB-601	BEARING, RADIAL BALL, 6301U (NTN)	-	-	-	-	1	----- KSMA	

F-12-1

REAR WHEEL(2)

J 1



Ref. No.	L.O.N.	(Relative ref. Number) Description	F.R.T.
1	710157	DAMPER, REAR WHEELNOTE: Same time for two units or more	0.3
5	7101A0	SPROCKET, FINAL DRIVEN	0.4
8	7101A4	FLANGE, FINAL DRIVEN	0.4
9	7101B7	COLLAR, AXLE DISTANCE :REAR ..	0.5
11	710118	REAR WHEEL	0.9
14	710142	REAR TIRE(ONE)	0.8
15	7101A7	TUBE, REAR TIRE(ONE)	0.8
23	710133	BEARING, REAR WHEEL(ONE)	0.5
	710133G	.Replace 1 bearing add	0.1
24	7101D1	BEARING, FINAL DRIVEN FLANGE ..	0.5

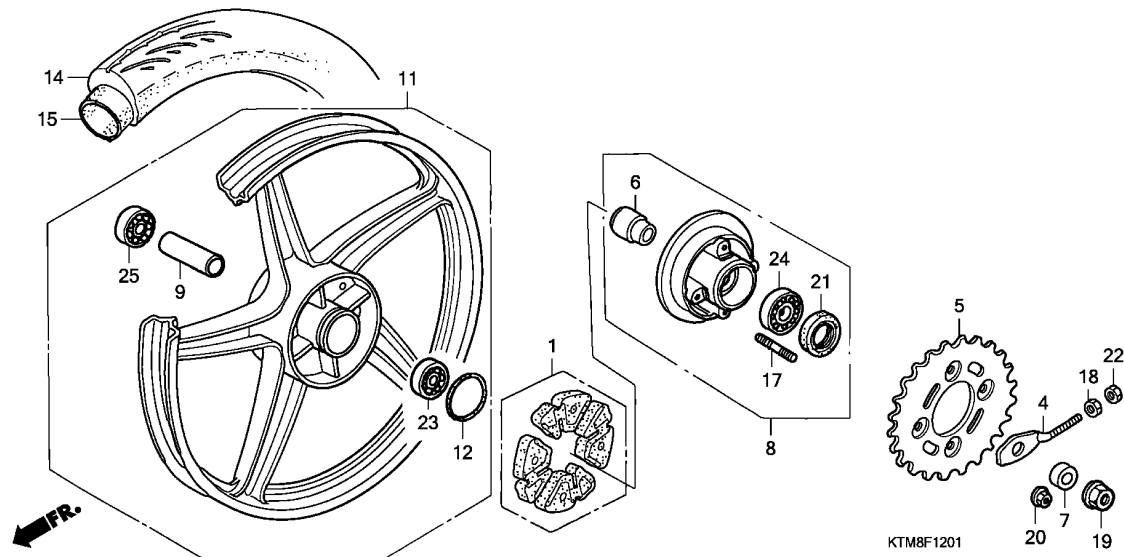
3

Ref. No.	Part No.	Description	Reqd. QTY					Serial No.	Parts catalogue code
			ANF125MR 5/M5	7/M7	8/M8	9/M9	AFP125 KCS/KS MCS A		
1	06410-KFL-850	DAMPER SET, WHEEL	-	-	-	-	1	-----	KCSMA,MCSMA
4	40543-KEV-900	ADJUSTER, R. CHAIN	-	-	-	-	1	-----	KCSMA,MCSMA
		(L.)	-	-	-	-	1	-----	KCSMA,MCSMA
5	41201-KPH-721	SPROCKET, FINAL DRIVEN (35T) (SUNSTAR)	-	-	-	-	1	-----	KCSMA,MCSMA
6	42303-KAN-T40	SLEEVE, RR. WHEEL	-	-	-	-	1	-----	KCSMA,MCSMA
7	42304-KFM-900	COLLAR, RR. WHEEL SIDE	-	-	-	-	1	-----	KCSMA,MCSMA
8	42615-KYL-840	FLANGE SUB ASSY., FINAL DRIVEN	-	-	-	-	1	-----	KCSMA,MCSMA
9	42620-KFL-850	COLLAR, RR. AXLE DISTANCE ...	-	-	-	-	1	-----	KCSMA,MCSMA
11	42650-KWW-D10ZA	WHEEL SUB ASSY., RR. *NH303M*	-	-	-	-	1	-----	KCSMA,MCSMA
12	42653-001-004	MAT AXIS GRAY METALLIC O-RING, 40.5X3 (NIPPON DUST KEEPER)	-	-	-	-	1	-----	KCSMA,MCSMA
14	42711-KPH-971	TIRE, RR. (DUNLOP) (80/90-17 M/C 50P)	-	-	-	-	1	-----	KCSMA,MCSMA
	42711-KTM-972	TIRE, RR. (IRC) (80/90-17 M/C 50P)	-	-	-	-	1	-----	KCSMA,MCSMA
15	42712-KFM-901	TUBE, TIRE (DUNLOP) (80/90-17M/C)	-	-	-	-	1	-----	KCSMA,MCSMA
	42712-KTM-972	TUBE, TIRE (IRC)(80/90-17M/C)	-	-	-	-	1	-----	KCSMA,MCSMA
17	90128-KFM-900	BOLT, STUD, 8X19.5	-	-	-	-	4	-----	KCSMA,MCSMA
18	90302-KBP-900	NUT, SPECIAL, 6MM	-	-	-	-	1	-----	KCSMA,MCSMA
19	90306-KGH-901	NUT, U, 12MM	-	-	-	-	1	-----	KCSMA,MCSMA
20	90309-357-000	NUT, HEX., 8MM	-	-	-	-	4	-----	KCSMA,MCSMA

F-12-1

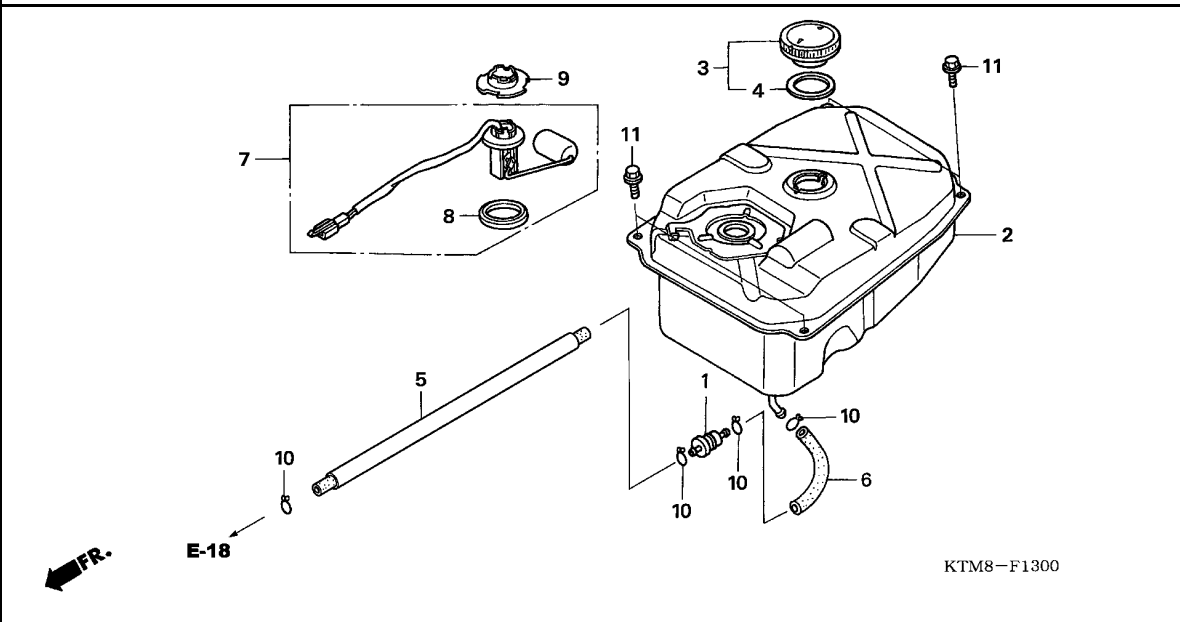
REAR WHEEL(2)

J 2



Ref. No.	Part No.	Description	Reqd. QTY					Serial No.	Parts catalogue code
			ANF125MR	AFP125	KCS/KS				
			5/M5	7/M7	8/M8	9/M9	A		
21	91251-KGH-901	DUST SEAL, 27X40X4.5(ARAI) ..	-	-	-	-	1	-----	KCSMA,MCSMA
	91251-KGH-902	DUST SEAL, 27X40X4.5(NOK) ...	-	-	-	-	1	-----	KCSMA,MCSMA
22	94001-06000-0S	NUT, HEX., 6MM	-	-	-	-	1	-----	KCSMA,MCSMA
23	91052-KWB-601	BEARING, RADIAL BALL, 6201U	-	-	-	-	1	-----	KCSMA,MCSMA
		(NTN)	-	-	-	-	1	-----	KCSMA,MCSMA
	96140-62010-10	BEARING, RADIAL BALL, 6201U	-	-	-	-	1	-----	KCSMA,MCSMA
24	91054-KWB-601	BEARING, RADIAL BALL, 6203U	-	-	-	-	1	-----	KCSMA,MCSMA
		(NTN)	-	-	-	-	1	-----	KCSMA,MCSMA
	96140-62030-10	BEARING, RADIAL BALL, 6203U	-	-	-	-	1	-----	KCSMA,MCSMA
25	91053-KWB-601	BEARING, RADIAL BALL, 6301U	-	-	-	-	1	-----	KCSMA,MCSMA
		(NTN)	-	-	-	-	1	-----	KCSMA,MCSMA
	96140-63010-10	BEARING, RADIAL BALL, 6301U	-	-	-	-	1	-----	KCSMA,MCSMA

3



Ref. No.	L.O.N.	(Relative ref. Number) Description	F.R.T.
2	310100	TANK, FUEL	0.5
	310100C	. '07 model add	0.2
	3101E2	TANK, FUEL(A)	0.6
		.NOTE: '08- model	
7	617105	FUEL TANK SENDING UNIT	0.5
	617105C	. '07 model add	0.2
	6171D8	FUEL TANK SENDING UNIT(A)	0.6
		.NOTE: '08- model	

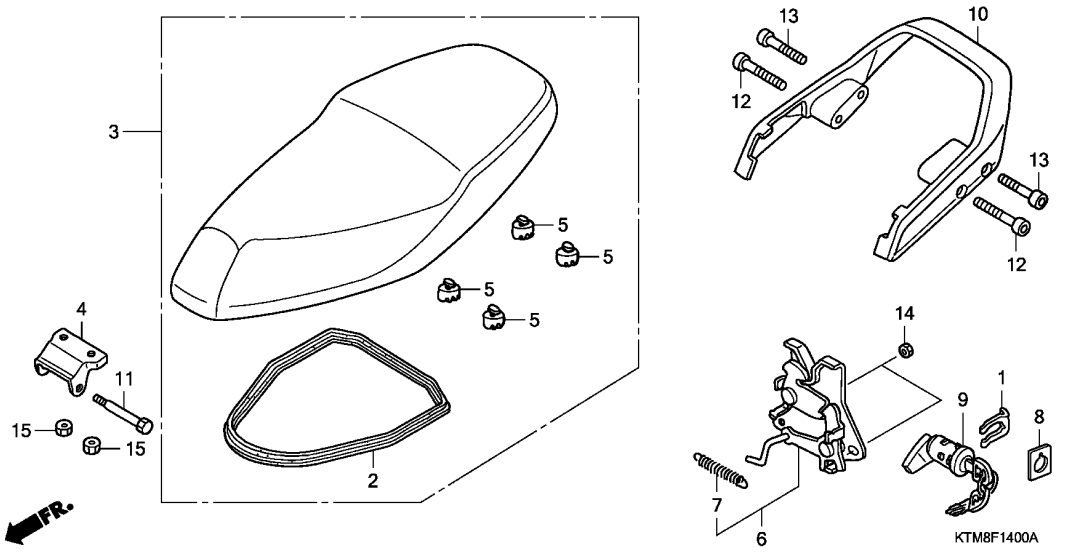
3

Ref. No.	Part No.	Description	Reqd. QTY					Serial No.	Parts catalogue code
			ANF125MR	AFP125	KCS/KS				
			5/M5	7/M7	8/M8	9/M9	A		
1	16910-KFM-902	STRAINER COMP., FUEL	1	1	1	1	1		
2	17510-KPH-950	TANK COMP., FUEL	1	-	-	-	-		
	17510-KVL-910	-	1	1	1	1		
3	17620-KEV-900	CAP COMP., FUEL FILLER	1	1	1	1	1		
4	17631-KEV-900	PACKING, FUEL FILLER CAP	1	1	1	1	1		
5	17631-KTM-880	TUBE, FUEL, 5.3X650	1	-	-	-	-		
	17631-KVL-910	TUBE, FUEL, 5.3X640	-	1	-	1	-		
	17631-KVL-T10	TUBE, FUEL, 5.3X600	-	-	1	-	-	-----	MA, MMA 2MA
6	17633-KPH-900	TUBE A, FUEL	1	-	-	-	-		
	95001-55040-40	TUBE, FUEL, 5.3X40 (95001-55001-60M)	-	1	1	1	1		
7	37080-KPH-650	FUEL UNIT SET	1	1	-	1	-		
	37010-KTL-740	-	-	1	-	-	-----	MA, MMA 2MA
8	37801-GA7-700	PACKING, BASE	1	1	1	1	1		
9	37802-GA7-700	RETAINER, FUEL UNIT	1	1	-	1	-		
	37802-KTL-740	-	-	1	-	-	-----	MA, MMA 2MA
10	95002-02100	CLIP, TUBE (B10)	4	4	4	4	4		
11	95701-06012-00	BOLT, FLANGE, 6X12	4	4	4	4	4		

F-14

SEAT(1)

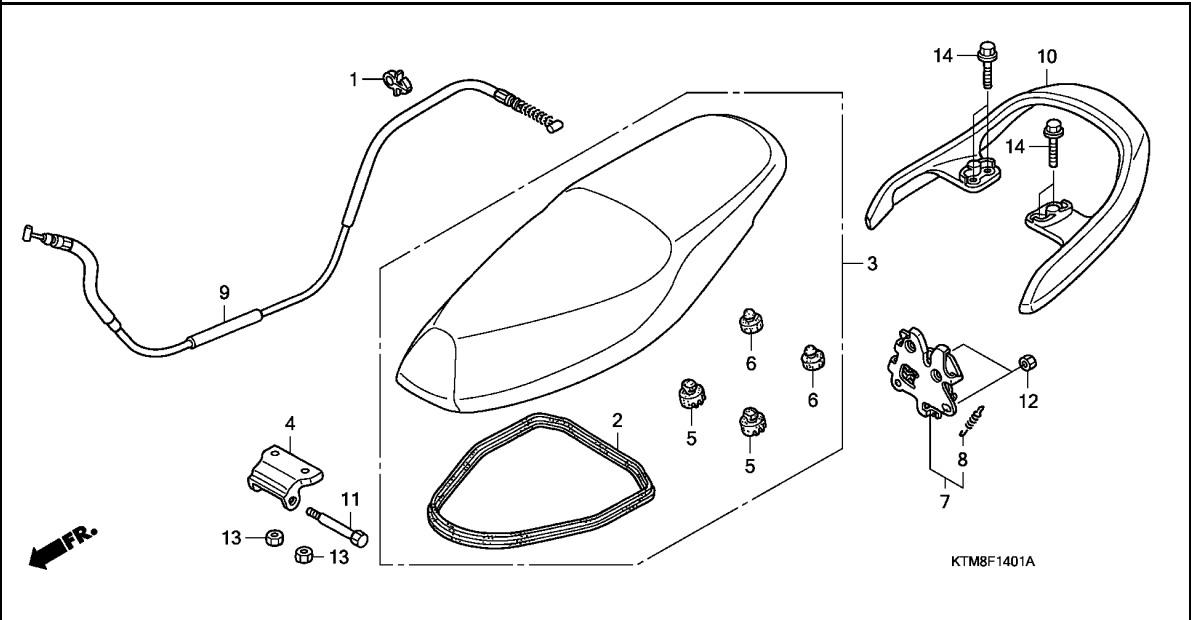
J 4



Ref. No.	L.O.N.	(Relative ref. Number) Description	F.R.T.
3	4131E4	SEAT :DOUBLE	0.1
4	4131P0	HINGE, SEAT	0.1
6	4131E8	CATCH, SEAT :REAR SIDE	0.5
9	4131F2	KEY, SEAT LOCK	0.5
10	4131F6	RAIL, GRAB :REAR	0.1

Ref. No.	Part No.	Description	Reqd. QTY					Serial No.	Parts catalogue code
			ANF125MR	AFP125	KCS/KS				
			5/M5	7/M7	8/M8	9/M9	A		
1	75581-GN8-920	SPRING, LOCK KEY SETTING	1	-	-	-	-		
2	77115-KPH-900	RUBBER, SEAL	1	-	-	-	-		
3	77200-KPH-720	SEAT ASSY., DOUBLE	1	-	-	-	-		
4	77201-KPH-900	HINGE, SEAT	1	-	-	-	-		
5	77214-KPH-900	RUBBER B, SEAT SETTING	4	-	-	-	-		
6	77230-KPH-900	LOCK COMP., SEAT	1	-	-	-	-		
7	77234-GN2-000	SPRING, SEAT LOCK	1	-	-	-	-		
8	77236-GW0-000	WASHER, SEAT LOCK	1	-	-	-	-		
9	77240-KPH-901	LOCK ASSY., SEAT	1	-	-	-	-		
10	84100-KPH-B00ZA	RAIL, RR. GRAB *NH364M*SHEEN SILVER METALLIC	1	-	-	-	-		
11	90105-KPH-900	BOLT, SEAT HINGE	1	-	-	-	-		
12	90185-KPH-B30	BOLT, SOCKET, 8X65	2	-	-	-	-		
13	90186-KPH-B30	BOLT, SOCKET, 8X55	2	-	-	-	-		
14	94001-06000-0S	NUT, HEX., 6MM	2	-	-	-	-		
15	94001-06070-0S	NUT, HEX., 6MM	2	-	-	-	-		

3

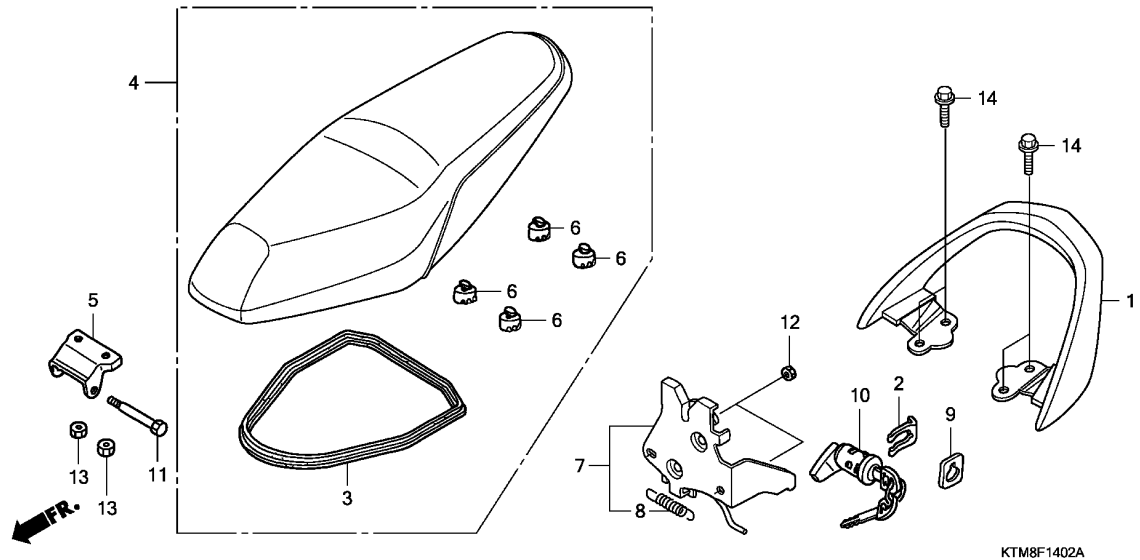


Ref. No.	Part No.	Description	Reqd. QTY					Serial No.	Parts catalogue code
			ANF125MR 5/M5	7/M7	8/M8	9/M9	AFP125 KCS/KS MCS A		
13	94001-06070-0S	NUT, HEX., 6MM	-	2	-	2	-	-	
14	95701-08022-00	BOLT, FLANGE, 8X22	-	4	-	4	-	-----	MA,MMA
			-	-	4	-	-	-----	MA,MMA

F-14-2

SEAT(3)

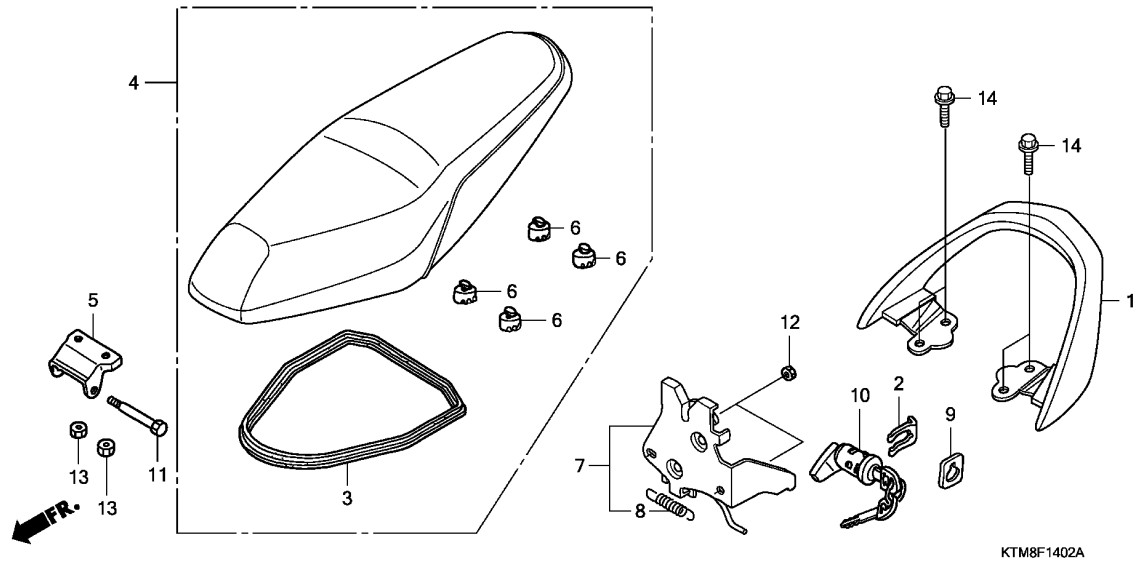
J 7



Ref. No.	L.O.N.	(Relative ref. Number) Description	F.R.T.
1	4131F6	RAIL, GRAB :REAR	0.1
4	4131E4	SEAT :DOUBLE	0.1
5	4131P0	HINGE, SEAT	0.1
7	4131AW	CATCH, SEAT(A) :REAR SIDE	0.6
10	4131F2	KEY, SEAT LOCK	0.5

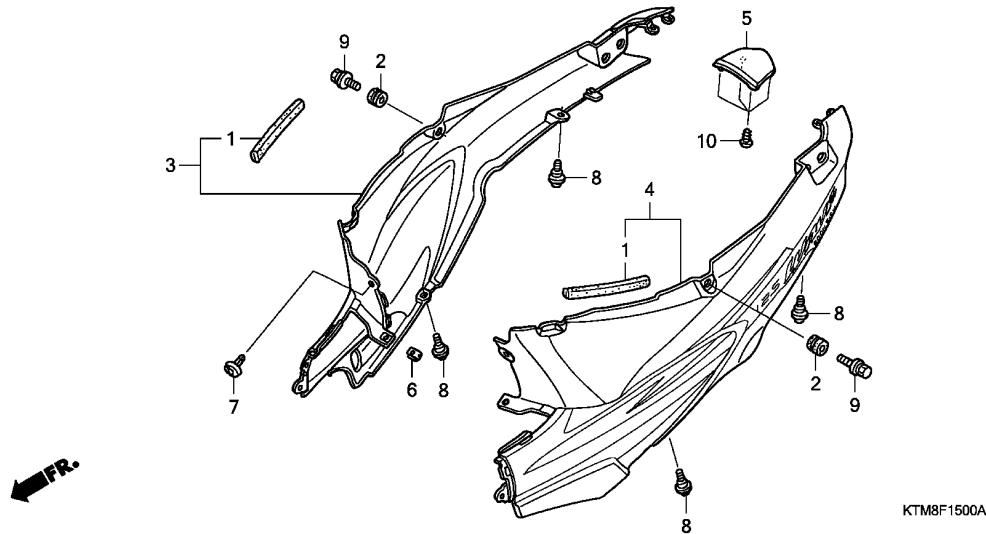
3

Ref. No.	Part No.	Description	Reqd. QTY					Serial No.	Parts catalogue code
			ANF125MR 5/M5	7/M7	8/M8	9/M9	AFP125 KCS/KS MCS A		
1	50400-KVR-600	RAIL, RR. GRAB	-	-	1	-	-	-----	2MA
2	75581-GN8-920	SPRING, LOCK KEY SETTING	-	-	1	-	1	-----	2MA
3	77115-KPH-900	RUBBER, SEAL	-	-	1	-	1	-----	2MA
4	77200-KVL-T10	SEAT COMP., DOUBLE	-	-	1	-	-	-----	2MA
5	77201-KPH-900	HINGE, SEAT	-	-	1	-	-	-----	2MA
6	77214-KPH-900	RUBBER B, SEAT SETTING	-	-	4	-	-	-----	2MA
7	77230-KTL-741	LOCK COMP., SEAT	-	-	1	-	1	-----	2MA
8	77234-GN2-000	SPRING, SEAT LOCK	-	-	1	-	-	-----	2MA
9	77236-GW0-000	WASHER, SEAT LOCK	-	-	1	-	1	-----	2MA
10	77240-KPH-691	LOCK ASSY., SEAT	-	-	1	-	-	-----	2MA
11	90105-KPH-900	BOLT, SEAT HINGE	-	-	1	-	-	-----	2MA
12	94001-06000-0S	NUT, HEX., 6MM	-	-	2	-	-	-----	2MA
13	94001-06070-0S	NUT, HEX., 6MM	-	-	2	-	-	-----	2MA



Ref. No.	Part No.	Description	Reqd. QTY					Serial No.	Parts catalogue code
			ANF125MR 5/M5	7/M7	8/M8	9/M9	AFP125 KCS/KS MCS A		

14	95701-08020-00	BOLT, FLANGE, 8X20	-	-	4	-	-	-----	2MA
			-	-	-	-	4		



Ref. No.	L.O.N.	(Relative ref. Number) Description	F.R.T.
3	4131J0	COVER, BODY :RIGHT	0.5
	4131J1	COVER, BODY :BOTH	0.6
4	4131H9	COVER, BODY :LEFT	0.5
5	4131J2	COVER, BODY :REAR	0.5

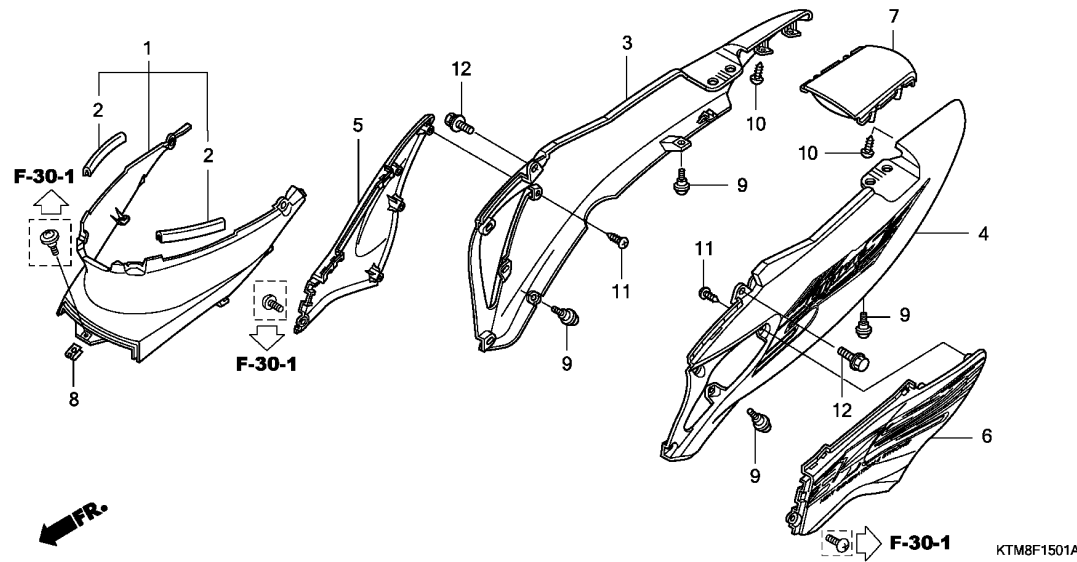
3

Ref. No.	Part No.	Description	Reqd. QTY					Serial No.	Parts catalogue code
			ANF125MR	AFP125	KCS/KS	MCS	A		
			5/M5	7/M7	8/M8	9/M9			
1	64415-KPH-B30	RUBBER, BODY COVER SETTING ..	2	-	-	-	-		
2	64416-KPH-900	RUBBER, BODY COVER MOUNTING .	2	-	-	-	-		
3	64600-KTM-880ZA	COVER SET, R. BODY *TYPE1*(WL)	1	-	-	-	-		
	64600-KTM-880ZB	COVER SET, R. BODY *TYPE2*(WL)	1	-	-	-	-		
	64600-KTM-880ZC	COVER SET, R. BODY *TYPE3*(WL)	1	-	-	-	-		
	64600-KTM-880ZE	COVER SET, R. BODY *TYPE4 1*(WL)	1	-	-	-	-		
4	64650-KTM-880ZA	COVER SET, L. BODY *TYPE1*(WL)	1	-	-	-	-		
	64650-KTM-880ZB	COVER SET, L. BODY *TYPE2*(WL)	1	-	-	-	-		
	64650-KTM-880ZC	COVER SET, L. BODY *TYPE3*(WL)	1	-	-	-	-		
	64650-KTM-880ZE	COVER SET, L. BODY *TYPE4 1*(WL)	1	-	-	-	-		
5	83510-KPH-900YF	COVER, TAIL *NH133*.....GULL WHITE	1	-	-	-	-		
	83510-KPH-900ZM	*PB327M*...ONYX BLUE METALLIC	1	-	-	-	-		
6	90677-KAN-T00	NUT, CLIP, 5MM	1	-	-	-	-		
7	90683-GAZ-003	CLIP, TRIM	1	-	-	-	-		
8	91509-GE2-760	SCREW, PAN, 5X11.5	4	-	-	-	-		
9	93404-06012-00	BOLT-WASHER, 6X12	2	-	-	-	-		
10	93903-24310	SCREW, TAPPING, 4X12	4	-	-	-	-		

F-15-1

BODY COVER(2)

J10



Ref. No.	L.O.N.	(Relative ref. Number) Description	F.R.T.
1	4131R6	COVER, BODY :CENTER	0.2
3	4131J0	COVER, BODY :RIGHT	0.7
	4131J1	COVER, BODY :BOTH	0.8
4	4131H9	COVER, BODY :LEFT	0.7
5	4111H9	COVER, SIDE :RIGHT	0.6
	4111J0	COVER, SIDE :BOTH	0.6
6	4111H8	COVER, SIDE :LEFT	0.6
7	4131J2	COVER, BODY :REAR	0.6

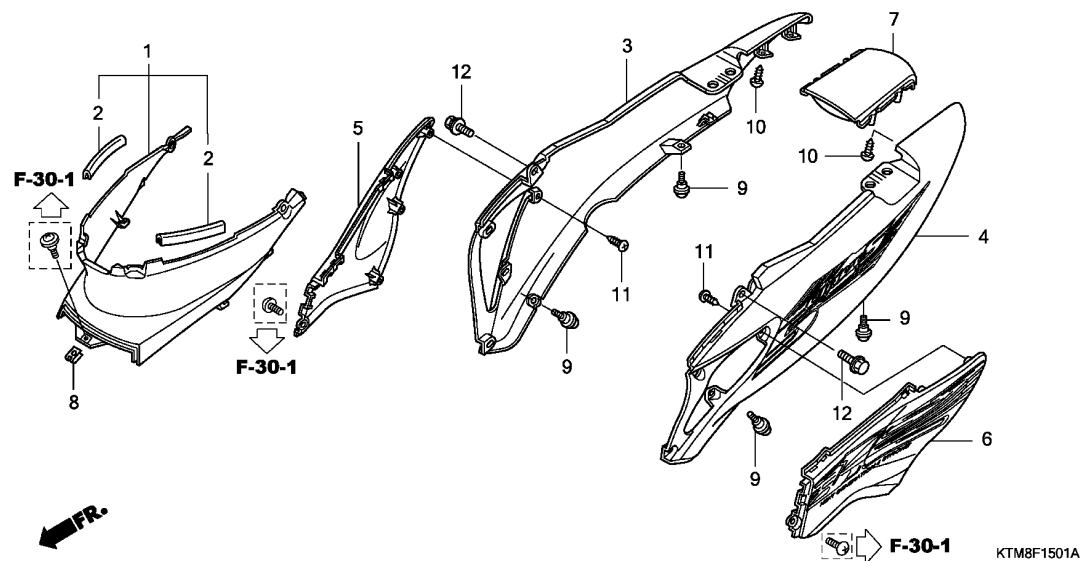
Ref. No.	Part No.	Description	Reqd. QTY					Serial No.	Parts catalogue code
			ANF125MR	AFP125	MCS				
			5/M5	7/M7	8/M8	9/M9	A		
1	64340-KPH-700	COVER SET, FR. BODY	-	1	-	1	-	-	-
2	64415-KPH-B30	RUBBER, BODY COVER SETTING	-	2	-	2	-	-	MA, MMA
3	64600-KVL-910ZA	COVER SET, R. BODY *TYPE1*(WL)	-	1	-	-	-	-	-
	64600-KVL-910ZB	COVER SET, R. BODY *TYPE2*(WL)	-	1	-	-	-	-	-
	64600-KVL-910ZC	COVER SET, R. BODY *TYPE3*(WL)	-	1	-	-	-	-	-
	64600-KVL-910ZD	COVER SET, R. BODY *TYPE4*(WL)	-	1	-	-	-	-	-
	64600-KVL-M00ZA	COVER SET, R. BODY *TYPE1*(WL)	-	-	1	-	-	-	MA, MMA
	64600-KVL-M00ZB	COVER SET, R. BODY *TYPE2*(WL)	-	-	1	-	-	-	MA, MMA
	64600-KVL-M00ZC	COVER SET, R. BODY *TYPE3*(WL)	-	-	1	-	-	-	MA, MMA
	64600-KVL-M30ZA	COVER SET, R. BODY *TYPE1*(WL)	-	-	-	1	-	-	-
	64600-KVL-M30ZC	COVER SET, R. BODY *TYPE3*(WL)	-	-	-	1	-	-	-
	64600-KVL-M30ZD	COVER SET, R. BODY *TYPE2 1*(WL)	-	-	-	1	-	-	-
4	64650-KVL-910ZA	COVER SET, L. BODY *TYPE1*(WL)	-	1	-	-	-	-	-
	64650-KVL-910ZB	COVER SET, L. BODY *TYPE2*(WL)	-	1	-	-	-	-	-
	64650-KVL-910ZC	COVER SET, L. BODY *TYPE3*(WL)	-	1	-	-	-	-	-
	64650-KVL-910ZD	COVER SET, L. BODY *TYPE4*(WL)	-	1	-	-	-	-	-
	64650-KVL-M00ZA	COVER SET, L. BODY *TYPE1*(WL)	-	-	1	-	-	-	MA, MMA
	64650-KVL-M00ZB	COVER SET, L. BODY *TYPE2*(WL)	-	-	1	-	-	-	MA, MMA
	64650-KVL-M00ZC	COVER SET, L. BODY *TYPE3*(WL)	-	-	1	-	-	-	MA, MMA
	64650-KVL-M30ZA	COVER SET, L. BODY *TYPE1*(WL)	-	-	-	1	-	-	-
	64650-KVL-M30ZC	COVER SET, L. BODY *TYPE3*(WL)	-	-	-	1	-	-	-
	64650-KVL-M30ZD	COVER SET, L. BODY *TYPE2 1*(WL)	-	-	-	1	-	-	-
5	64800-KVL-910ZA	COVER SET, R. SIDE *TYPE1*(WL)	-	1	-	-	-	-	-
	64800-KVL-910ZB	COVER SET, R. SIDE *TYPE2*(WL)	-	1	-	-	-	-	-

3

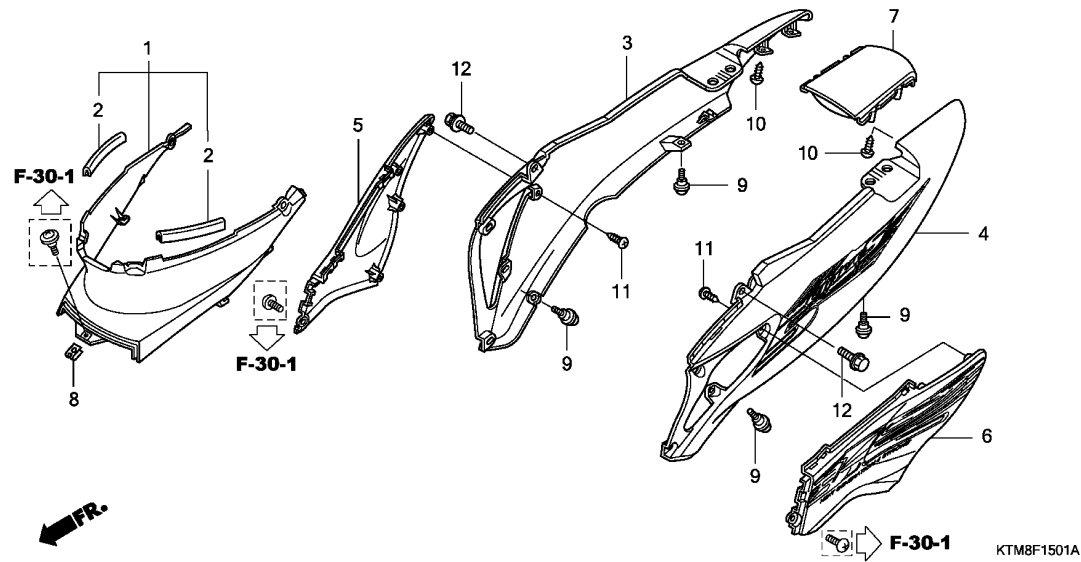
F-15-1

BODY COVER(2)

J11



Ref. No.	Part No.	Description	Reqd. QTY					Serial No.	Parts catalogue code
			ANF125MR 5/M5	7/M7	8/M8	9/M9	AFP125 KCS/KS MCS A		
(5)	64800-KVL-910ZC	COVER SET, R. SIDE *TYPE3*(WL)	-	1	-	-	-		
	64800-KVL-910ZD	COVER SET, R. SIDE *TYPE4*(WL)	-	1	-	-	-		
	64800-KVL-M00ZA	COVER SET, R. SIDE *TYPE1*(WL)	-	-	1	-	-	-----	MA, MMA
	64800-KVL-M00ZB	COVER SET, R. SIDE *TYPE2*(WL)	-	-	1	-	-	-----	MA, MMA
	64800-KVL-M00ZC	COVER SET, R. SIDE *TYPE3*(WL)	-	-	1	-	-	-----	MA, MMA
	64800-KVL-M30ZA	COVER SET, R. SIDE *TYPE1*(WL)	-	-	-	1	-		
	64800-KVL-M30ZB	COVER SET, R. SIDE *TYPE2*(WL)	-	-	-	1	-		
	64800-KVL-M30ZC	COVER SET, R. SIDE *TYPE3*(WL)	-	-	-	1	-		
6	64850-KVL-910ZA	COVER SET, L. SIDE *TYPE1*(WL)	-	1	-	-	-		
	64850-KVL-910ZB	COVER SET, L. SIDE *TYPE2*(WL)	-	1	-	-	-		
	64850-KVL-910ZC	COVER SET, L. SIDE *TYPE3*(WL)	-	1	-	-	-		
	64850-KVL-910ZD	COVER SET, L. SIDE *TYPE4*(WL)	-	1	-	-	-		
	64850-KVL-M00ZA	COVER SET, L. SIDE *TYPE1*(WL)	-	-	1	-	-	-----	MA, MMA
	64850-KVL-M00ZB	COVER SET, L. SIDE *TYPE2*(WL)	-	-	1	-	-	-----	MA, MMA
	64850-KVL-M00ZC	COVER SET, L. SIDE *TYPE3*(WL)	-	-	1	-	-	-----	MA, MMA
	64850-KVL-M30ZA	COVER SET, L. SIDE *TYPE1*(WL)	-	-	-	1	-		
	64850-KVL-M30ZB	COVER SET, L. SIDE *TYPE2*(WL)	-	-	-	1	-		
	64850-KVL-M30ZC	COVER SET, L. SIDE *TYPE3*(WL)	-	-	-	1	-		
7	83600-KVL-910ZA	COVER SET, TAIL (WL)	-	1	-	-	-		
		B196M..NIPPIC BLUE METALLIC	-	1	-	-	-		
	83600-KVL-910ZB	*G177M*..CYBER GREEN METALLIC	-	1	-	-	-		
	83600-KVL-910ZC	*NH284M*...EURO GRAY METALLIC	-	1	-	-	-		
	83600-KVL-910ZD	*R218M*..RADIANT RED METALLIC	-	1	-	-	-		
	83600-KVL-M00ZA	*NH341P*..PEARL FADELESS WHITE	-	-	1	-	-	-----	MA, MMA
	83600-KVL-M00ZB	*R310*.....GAYETY RED	-	-	1	-	-	-----	MA, MMA
	83600-KVL-M00ZC	*NH1*.....BLACK	-	-	1	-	-	-----	MA, MMA

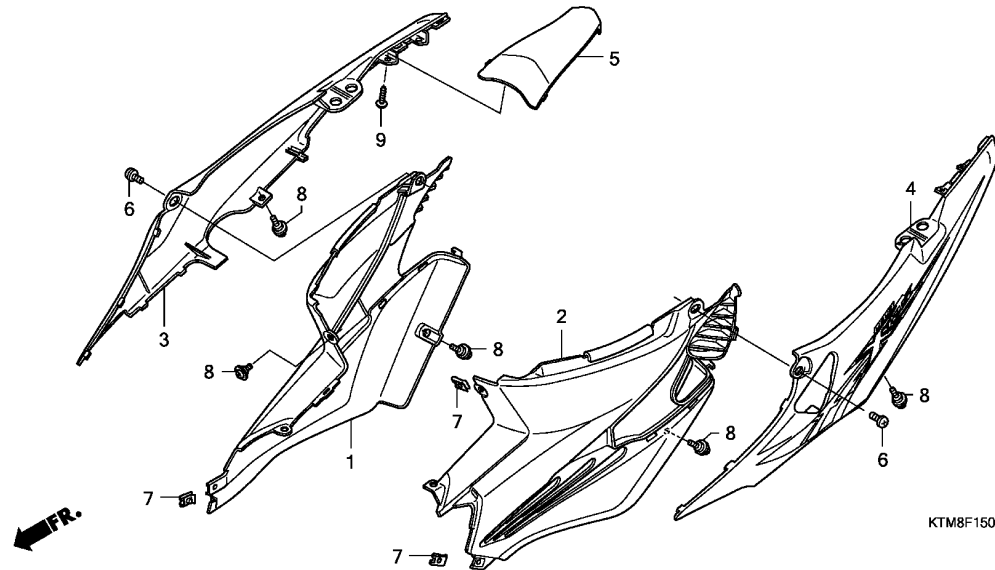


Ref. No.	Part No.	Description	Reqd. QTY					Serial No.	Parts catalogue code
			ANF125MR 5/M5	7/M7	8/M8	9/M9	AFP125 KCS/KS MCS A		
(7)	83600-KVL-M00ZE	COVER SET, TAIL (WL) *NHA69P*	-	-	-	1	-		
	83600-KVL-M00ZG	PEARL MAGELLANIC BLACK *R339M*.EUPHORIA RED METALLIC	-	-	-	1	-		
8	90677-KAN-T00	NUT, CLIP, 5MM	-	1	-	1	-		MA,MMA
9	91509-GE2-760	SCREW, PAN, 5X11.5	-	4	-	4	-		MA,MMA
10	93903-24220	SCREW, TAPPING, 4X10	-	4	-	4	-		MA,MMA
			-	-	4	-	-		MA,MMA
11	93903-24310	SCREW, TAPPING, 4X12	-	8	-	8	-		MA,MMA
12	95701-06012-07	BOLT, FLANGE, 6X12	-	2	-	2	-		MA,MMA
			-	-	2	-	-		MA,MMA

F-15-2

BODY COVER(3)

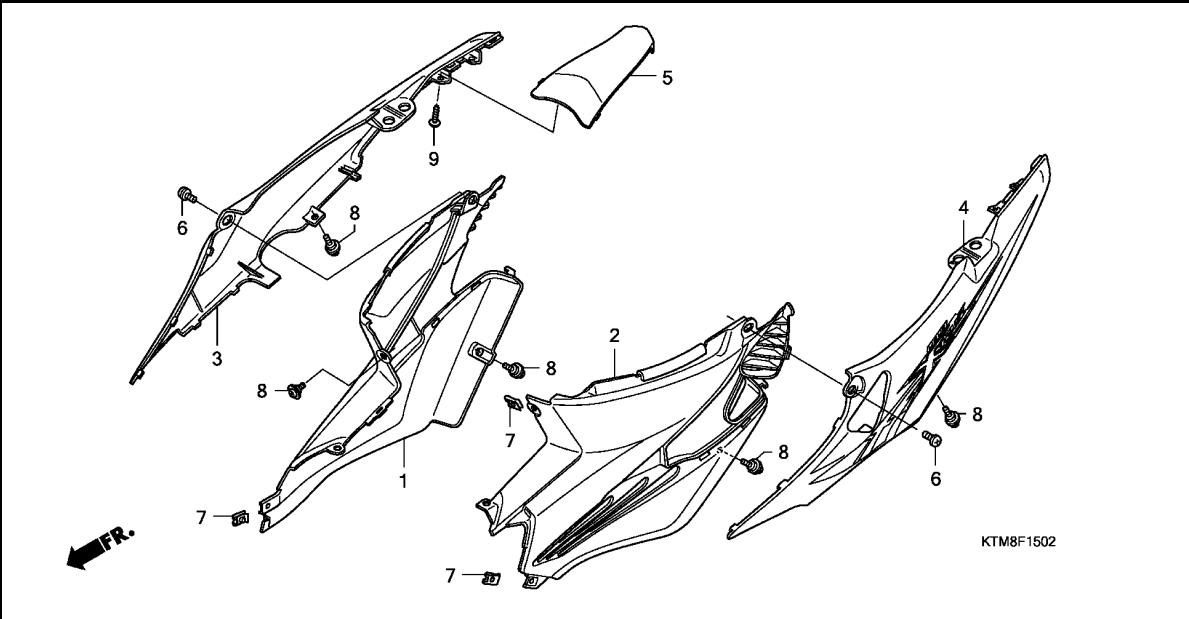
J13



Ref. No.	L.O.N.	(Relative ref. Number) Description	F.R.T.
1	4111X0	COVER, SIDE(A) :RIGHT	0.5
	4111X1	COVER, SIDE(A) :BOTH	0.5
2	4111W9	COVER, SIDE(A) :LEFT	0.5
3	4131AK	COVER, BODY(A) :RIGHT	0.6
	4131AL	COVER, BODY(A) :BOTH	0.7
4	4131AJ	COVER, BODY(A) :LEFT	0.6
5	4131J2	COVER, BODY :REAR	0.5

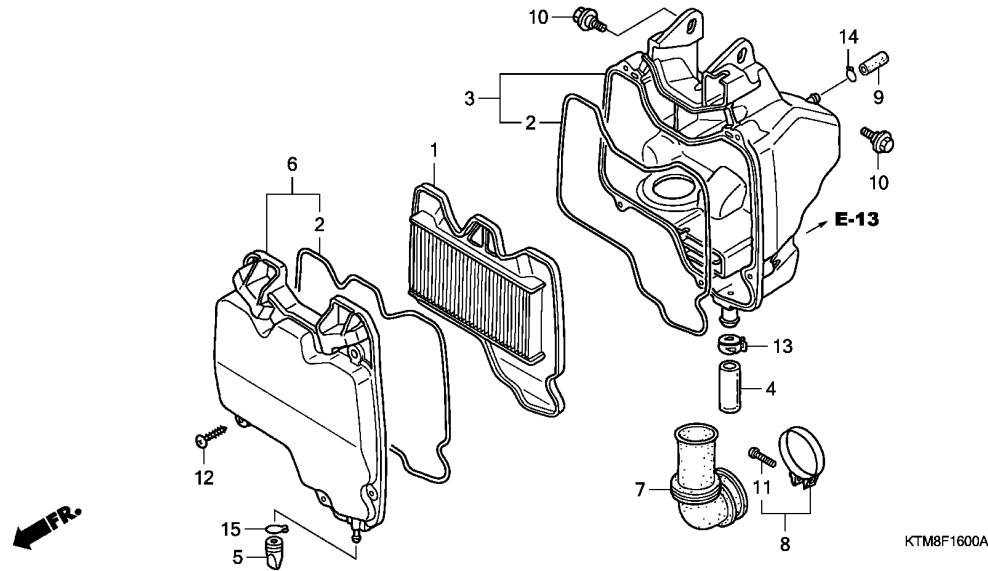
3

Ref. No.	Part No.	Description	Reqd. QTY					Serial No.	Parts catalogue code
			ANF125MR 5/M5 7/M7 8/M8 9/M9	AFP125 KCS/KS MCS					
1	64350-KVL-T10	COVER COMP., R. CENTER	-	-	-	1	-	-----	2MA
2	64360-KVL-T10	COVER COMP., L. CENTER	-	-	-	1	-	-----	2MA
3	64600-KVL-M20ZA	COVER SET, R. BODY *TYPE1*(WL)	-	-	-	1	-	-----	2MA
	64600-KVL-M20ZB	COVER SET, R. BODY *TYPE2*(WL)	-	-	-	1	-	-----	2MA
	64600-KVL-M20ZC	COVER SET, R. BODY *TYPE3*(WL)	-	-	-	1	-	-----	2MA
	64600-KYL-730ZA	COVER SET, R. BODY *TYPE1*(WL)	-	-	-	-	1	-----	KSMA
	64600-KYL-730ZB	COVER SET, R. BODY *TYPE2*(WL)	-	-	-	-	1	-----	KSMA
	64600-KYL-730ZC	COVER SET, R. BODY *TYPE3*(WL)	-	-	-	-	1	-----	KSMA
	64600-KYL-750ZA	COVER SET, R. BODY *TYPE4*(WL)	-	-	-	-	1	-----	KCSMA, MCSMA
	64600-KYL-750ZB	COVER SET, R. BODY *TYPE5*(WL)	-	-	-	-	1	-----	KCSMA, MCSMA
	64600-KYL-750ZC	COVER SET, R. BODY *TYPE6*(WL)	-	-	-	-	1	-----	KCSMA, MCSMA
	4	64650-KVL-M20ZA	COVER SET, L. BODY *TYPE1*(WL)	-	-	-	1	-	-----
64650-KVL-M20ZB		COVER SET, L. BODY *TYPE2*(WL)	-	-	-	1	-	-----	2MA
64650-KVL-M20ZC		COVER SET, L. BODY *TYPE3*(WL)	-	-	-	1	-	-----	2MA
64650-KYL-730ZA		COVER SET, L. BODY *TYPE1*(WL)	-	-	-	-	1	-----	KSMA
64650-KYL-730ZB		COVER SET, L. BODY *TYPE2*(WL)	-	-	-	-	1	-----	KSMA
64650-KYL-730ZC		COVER SET, L. BODY *TYPE3*(WL)	-	-	-	-	1	-----	KSMA
64650-KYL-750ZA		COVER SET, L. BODY *TYPE4*(WL)	-	-	-	-	1	-----	KCSMA, MCSMA
64650-KYL-750ZB		COVER SET, L. BODY *TYPE5*(WL)	-	-	-	-	1	-----	KCSMA, MCSMA
64650-KYL-750ZC		COVER SET, L. BODY *TYPE6*(WL)	-	-	-	-	1	-----	KCSMA, MCSMA
5		83510-KVR-600ZD	COVER, TAIL	-	-	-	-	-	-----
		NH341P.PEARL FADELESS WHITE	-	-	-	-	1	-----	
	83510-KVR-600ZR	*NHA69P* PEARL MAGELLANIC BLACK	-	-	-	-	-	-----	2MA
	83510-KVR-600ZT	*B206M*...VITAL BLUE METALLIC	-	-	-	-	1	-----	KSMA
	83510-KVR-600ZU	*R331*.....VIVACITY RED	-	-	-	-	1	-----	KSMA



Ref. No.	Part No.	Description	Reqd. QTY					Serial No.	Parts catalogue code
			ANF125MR 5/M5	7/M7	8/M8	9/M9	AFP125 KCS/KS MCS A		

(5)	83510-KVR-600ZV	COVER, TAIL	-	-	-	-	1	-----	KCSMA, MCSMA
		R339M.EUPHORIA RED METALLIC	-	-	-	-	1	-----	KCSMA, MCSMA
	83510-KVR-600ZW	*YR271*.....NITRIC ORANGE	-	-	-	-	1	-----	KCSMA, MCSMA
6	90108-KTL-740	BOLT, BODY COVER SETTING	-	-	2	-	-	-----	2MA
7	90677-KAN-T00	NUT, CLIP, 5MM	-	-	3	-	-	-----	2MA
8	91509-GE2-760	SCREW, PAN, 5X11.5	-	-	5	-	-	-----	2MA
9	93903-24310	SCREW, TAPPING, 4X12	-	-	4	-	-	-----	2MA



Ref. No.	L.O.N.	(Relative ref. Number) Description	F.R.T.
1	312105	ELEMENT, AIR CLEANER	0.3
	312105B	. '07 model add	0.1
	3121J9	ELEMENT, AIR CLEANER(A)	0.2
		.NOTE: '08- model	
3	3121A5	CASE, AIR CLEANER	0.5
	3121A5C	. '07 model add	0.1
	3121H2	CASE, AIR CLEANER(A)	0.4
		.NOTE: '08- model	
6	312102	COVER, AIR CLEANER CASE	0.4
	312102B	. '07 model add	0.1
	3121K0	COVER, AIR CLEANER CASE(A) ...	0.3
		.NOTE: '08- model	
7	3121B6	TUBE, AIR CLEANER CONNECTING ..	0.4
	3121B6E	. '07 model add	0.1
	3121H6	TUBE, AIR CLEANER CONNECTING (A)	0.3
		.NOTE: '08- model	

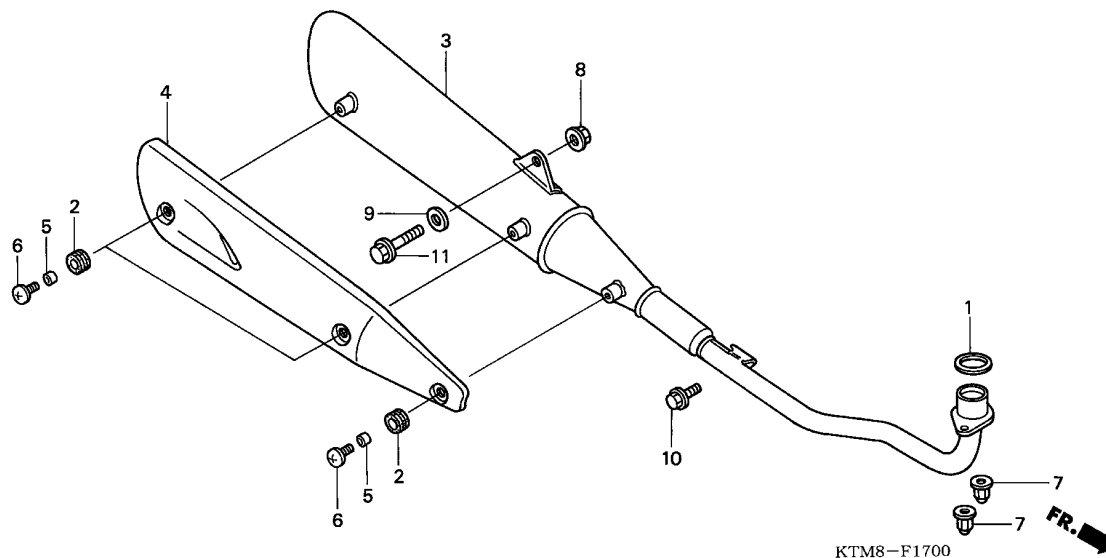
3

Ref. No.	Part No.	Description	Reqd. QTY					Serial No.	Parts catalogue code
			ANF125MR	AFP125 KCS/KS MCS	5/M5	7/M7	8/M8		
1	17210-KPH-900	ELEMENT COMP., AIR CLEANER ..	1	1	1	1	1		
2	17213-KPH-900	SEAL, AIR CLEANER COVER	2	2	2	2	2		
3	17225-KPH-900	CASE SUB ASSY., AIR CLEANER ..	1	1	1	1	1		
4	17227-HC0-000	TUBE, VINYL, 11X15X45	1	1	1	1	1		
5	17234-KCW-871	TUBE, AIR CLEANER DRAIN	1	1	1	1	1		
6	17235-KPH-900	COVER SUB ASSY., AIR CLEANER ..	1	-	-	-	-		
	17235-KPH-700	-	1	1	1	1		
7	17253-KPH-900	TUBE, AIR CLEANER CONNECTING ..	1	1	1	1	1		
8	17255-329-000	BAND A, AIR CLEANER CONNECTING TUBE	1	1	1	1	1		
9	17358-KFM-890	CAP, AIR CLEANER	1	1	1	1	1		
10	90116-ME9-000	BOLT, FLANGE, 6MM	2	2	2	2	2		
11	93500-05025-06	SCREW, PAN, 5X25	1	1	1	1	1		
12	93903-25510	SCREW, TAPPING, 5X25	5	5	5	5	5		
13	95002-41300-08	CLAMP, TUBE (D13)	1	1	1	1	1		
14	95002-50000	CLIP, TUBE (C9)	1	1	1	1	1		
15	95002-80000	CLIP, TUBE (C12)	1	1	1	1	1		

F-17

EXHAUST MUFFLER(1)

J16



Ref. No.	L.O.N.	(Relative ref. Number) Description	F.R.T.
3		(1)	
3	313120	MUFFLER	0.3
4	411167	COVER, EXHAUST MUFFLER	0.1

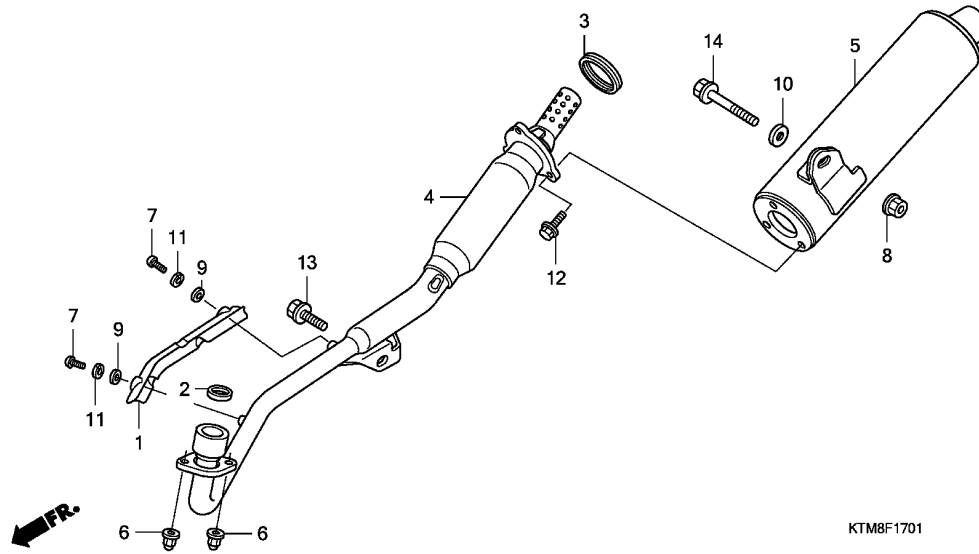
Ref. No.	Part No.	Description	Reqd. QTY					Serial No.	Parts catalogue code
			ANF125MR 5/M5 7/M7 8/M8 9/M9	AFP125 KCS/KS MCS A					
1	18291-HB2-900	GASKET, EX. PIPE	1	1	-	1	-		
2	18345-MBT-610	RUBBER, PROTECTOR MOUNTING ..	3	3	-	3	-	-----	MA,MMA
3	18350-KPH-E20	MUFFLER COMP., EX.	1	1	-	1	-	-----	MA,MMA
4	18355-KPH-900 18355-KPH-700	COVER, MUFFLER	1	-	-	-	-	-----	MA,MMA
5	33619-459-840	COLLAR, WINKER STAY	3	3	-	3	-	-----	MA,MMA
6	90107-KAN-900	BOLT, BODY COVER SETTING	3	3	-	3	-	-----	MA,MMA
7	90304-KPH-900 90304-KPH-700	NUT, HEX. CAP, 8MM	2	-	-	-	-	-----	MA,MMA
8	94050-08000	NUT, FLANGE, 8MM	1	1	-	1	-	-----	MA,MMA
9	94103-08000	WASHER, PLAIN, 8MM	1	1	-	1	-	-----	MA,MMA
10	95701-08012-00	BOLT, FLANGE, 8X12	1	1	-	1	-	-----	MA,MMA
11	95701-08045-00	BOLT, FLANGE, 8X45	1	1	-	1	-	-----	MA,MMA

3

F-17-1

EXHAUST MUFFLER(2)

K 1



Ref. No.	L.O.N.	(Relative ref. Number) Description	F.R.T.
1	313125	COVER, EXHAUST PIPE	0.1
2	3131B4	GASKET, EXHAUST PIPE	0.3
4	313110	PIPE, EXHAUST	0.3
5		(3)	
	3131L1	MUFFLER(A)	0.2

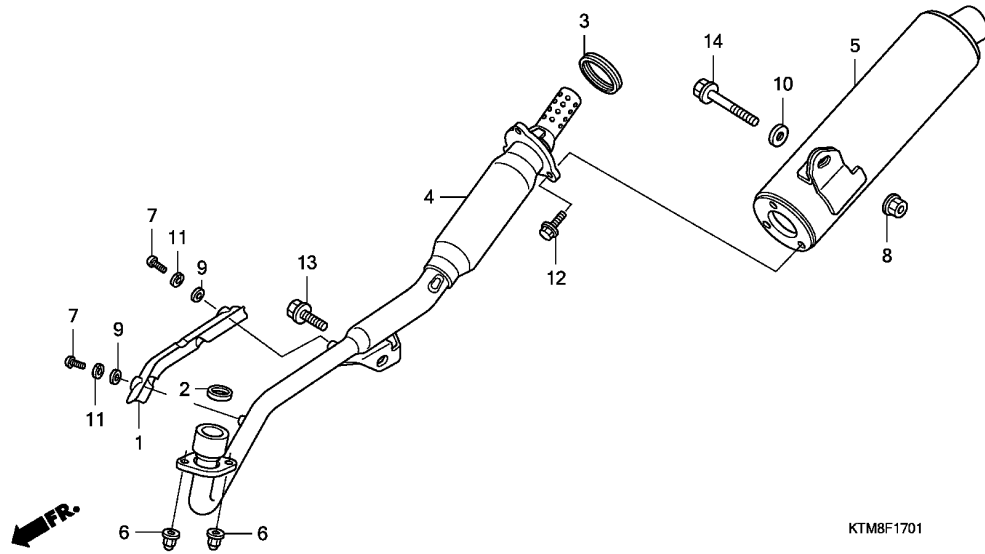
3

Ref. No.	Part No.	Description	Reqd. QTY					Serial No.	Parts catalogue code
			ANF125MR 5/M5	7/M7	8/M8	9/M9	AFP125 KCS/KS MCS A		
1	18240-KPG-T00	COVER, EX. PIPE	-	-	1	-	-	-----	2MA
2	18291-HB2-900	GASKET, EX. PIPE	-	-	1	-	1	-----	2MA
3	18292-KGH-901	GASKET, EX. PIPE	-	-	1	-	1	-----	2MA
4	18320-KVL-T10	PIPE COMP., EX.	-	-	1	-	1	-----	2MA
5	18330-KVL-T10	MUFFLER COMP.	-	-	1	-	1	-----	2MA
6	90304-KPH-900	NUT, HEX. CAP, 8MM	-	-	2	-	-	-----	2MA
7	93500-05008-0G	SCREW, PAN, 5X8	-	-	2	-	2	-----	2MA
8	94050-08000	NUT, FLANGE, 8MM	-	-	1	-	-	-----	2MA
9	94101-05700	WASHER, PLAIN, 5MM	-	-	2	-	1	-----	2MA
10	94103-08000	WASHER, PLAIN, 8MM	-	-	1	-	2	-----	2MA
			-	-	-	-	1		
11	94111-05700	WASHER, SPRING, 5MM	-	-	2	-	-	-----	2MA
12	95701-06020-00	BOLT, FLANGE, 6X20	-	-	3	-	2	-----	2MA
13	95701-08016-00	BOLT, FLANGE, 8X16	-	-	1	-	3	-----	2MA
			-	-	-	-	1		

F-17-1

EXHAUST MUFFLER(2)

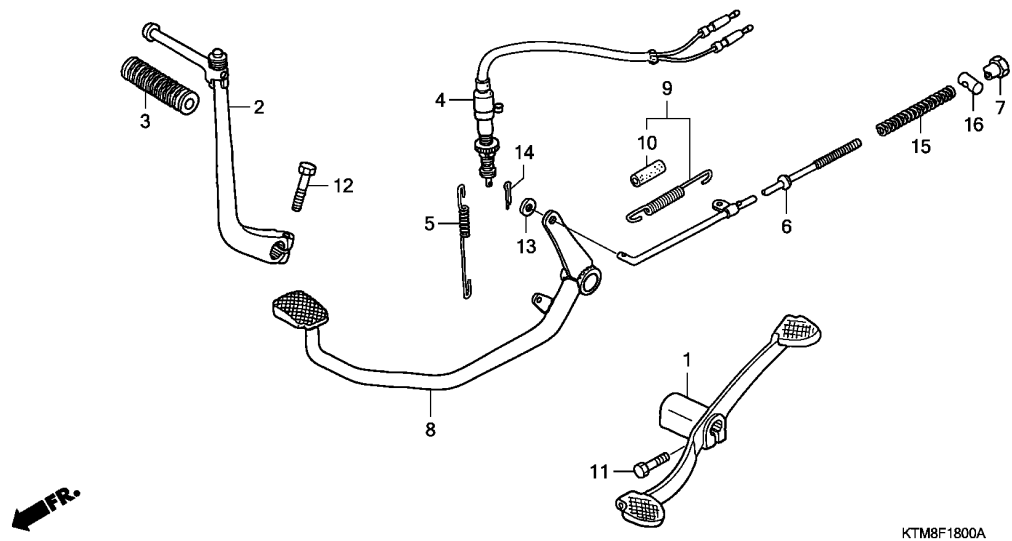
K 2



Ref. No.	Part No.	Description	Reqd. QTY				Serial No.	Parts catalogue code
			ANF125MR 5/M5 7/M7 8/M8 9/M9	AFP125 KCS/KS MCS A				

14	95701-08045-00	BOLT, FLANGE, 8X45	-	-	1	-	-	----- 2MA
			-	-	-	-	-	1

3



Ref. No.	L.O.N.	(Relative ref. Number) Description	F.R.T.
1	4101A1	PEDAL, GEAR CHANGE	0.1
2	112107	ARM, KICK STARTER	0.1
4	6151B5	SWITCH, REAR STOP :PEDAL SIDE	0.4
	6151B5C	. '07 model add	0.1
	6151H1	SWITCH, REAR STOP(A) :PEDAL SIDE	0.3
6	811135	ROD, REAR BRAKE	0.5
8	810160	PEDAL, REAR BRAKE	0.5

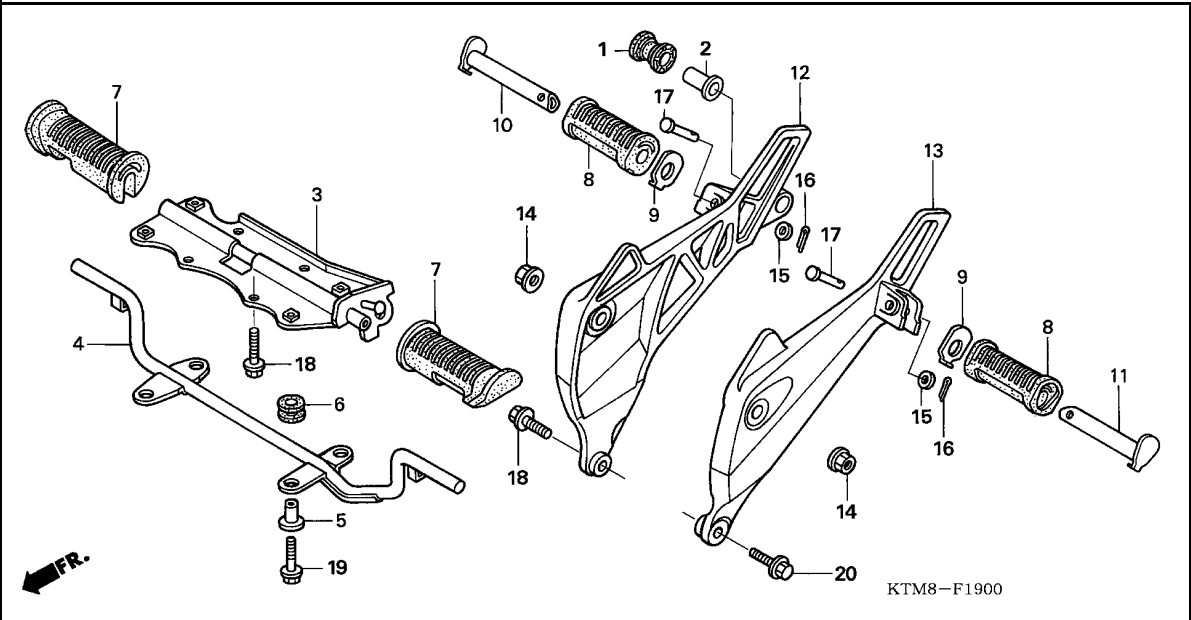
3

Ref. No.	Part No.	Description	Reqd. QTY					Serial No.	Parts catalogue code
			ANF125MR	AFP125	KCS/KS	MCS	A		
			5/M5	7/M7	8/M8	9/M9			
1	24701-KTM-880	PEDAL, GEAR CHANGE	1	1	1	1	1		
2	28300-KPH-900	ARM ASSY., KICK STARTER	1	1	1	1	1		
3	28311-342-000	RUBBER, KICK STARTER	1	1	1	1	1		
4	35350-KPH-B31	SWITCH ASSY., RR. STOP	1	1	1	1	1		
5	35357-KCC-900	SPRING, STOP SWITCH	1	1	1	1	1		
6	43451-KPH-900	ROD COMP., RR. BRAKE	1	1	1	1	1		
7	43459-GN5-760	NUT, BRAKE ROD ADJUSTING	1	1	1	1	1		
8	46500-KPH-B00	PEDAL COMP., BRAKE	1	1	1	1	1		
9	46513-KBP-900	SPRING ASSY., RR. BRAKE RETURN	1	1	1	1	1		
10	46514-MK4-000	TUBE, BRAKE PEDAL SPRING	1	1	1	1	1		
11	92101-06020-OA	BOLT, HEX., 6X20	1	1	1	1	1		
12	92101-08025-OA	BOLT, HEX., 8X25	1	1	1	1	1		
13	94101-05000	WASHER, PLAIN, 5MM	1	1	1	1	1		
14	94201-20150	PIN, SPLIT, 2.0X15	1	1	1	1	1		
15	95014-73100	SPRING A, BRAKE ROD	1	1	1	1	1		
16	95015-32001	JOINT B, BRAKE ARM	1	1	1	1	1		

F-19

STEP(1)

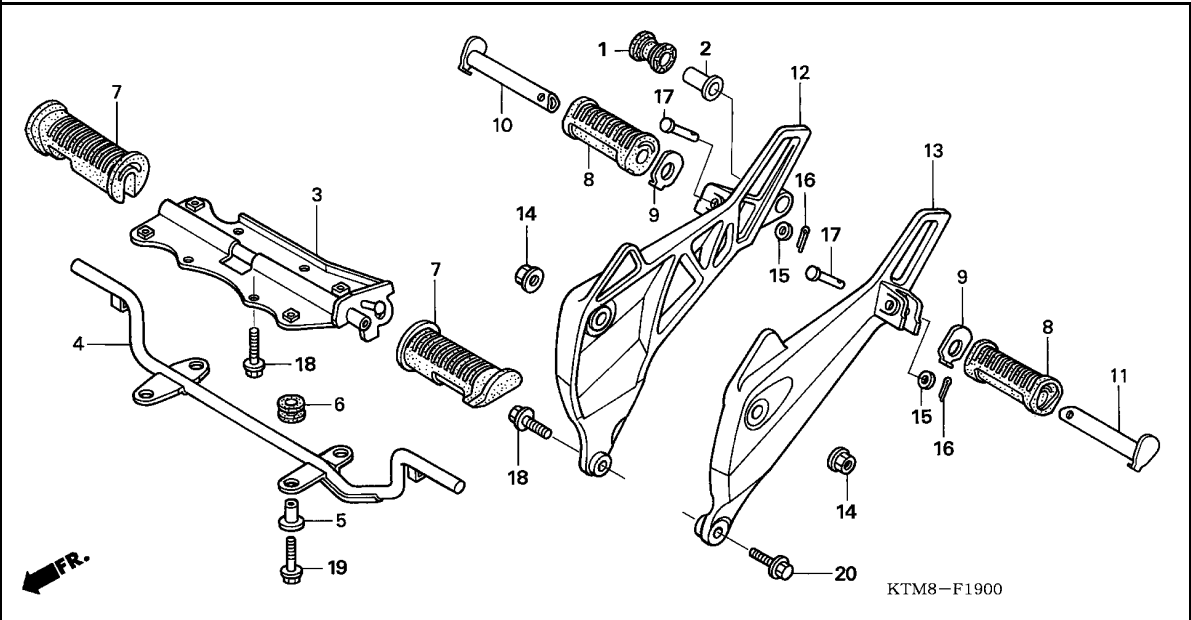
K 4



Ref. No.	L.O.N.	(Relative ref. Number) Description	F.R.T.
4	410145	BAR, STEP	0.3
7	4101D3	RUBBER, STEP :LEFT	0.1
	4101D4	RUBBER, STEP :RIGHT	0.1
	4101L8	RUBBER, STEP :BOTH	0.1
10		(8)	
	4101C8	BAR, PILLION STEP :RIGHT	0.1
	4101P4	BAR, PILLION STEP :BOTH	0.2
11		(8)	
	4101C7	BAR, PILLION STEP :LEFT	0.1
12	4101D0	BRACKET, PILLION STEP :RIGHT ..	0.2
	4101K4	BRACKET, PILLION STEP :BOTH ..	0.4
13	4101C9	BRACKET, PILLION STEP :LEFT ..	0.2

Ref. No.	Part No.	Description	Reqd. QTY					Serial No.	Parts catalogue code
			ANF125MR	AFP125	KCS/KS	MCS	A		
			5/M5	7/M7	8/M8	9/M9			
1	18421-KBA-900	RUBBER, MUFFLER MOUNTING	1	1	-	1	-		
2	18422-KPH-900	COLLAR, MUFFLER MOUNTING	-	-	1	-	-	MA,MMA	
3	50605-KPH-900	BRACKET, MAIN STEP	1	1	-	1	-	MA,MMA	
4	50610-KPH-900	BAR COMP., STEP	1	1	-	1	-	MA,MMA	
5	50612-KPH-900	COLLAR, MAIN STEP MOUNTING ..	4	4	-	4	-	MA,MMA	
6	50613-KFL-850	RUBBER, MAIN STEP MOUNTING ..	4	4	-	4	-	MA,MMA	
7	50661-GN8-920	RUBBER, STEP	2	2	-	2	-	MA,MMA	
8	50710-GN5-830	RUBBER, PILLION STEP	2	2	-	2	-	MA,MMA	
9	50711-GN5-730	PLATE, PILLION STEP	2	2	-	2	-	MA,MMA	
10	50713-KRS-690	BAR, R. PILLION STEP	1	1	-	1	-	MA,MMA	
11	50714-KRS-690	BAR, L. PILLION STEP	1	-	-	-	-		
	50714-GN5-830	-	1	-	1	-	MA,MMA	
12	50715-KPH-900	HOLDER, R. PILLION STEP	1	-	-	-	-		
	50715-KPH-700	-	1	-	-	-		

3



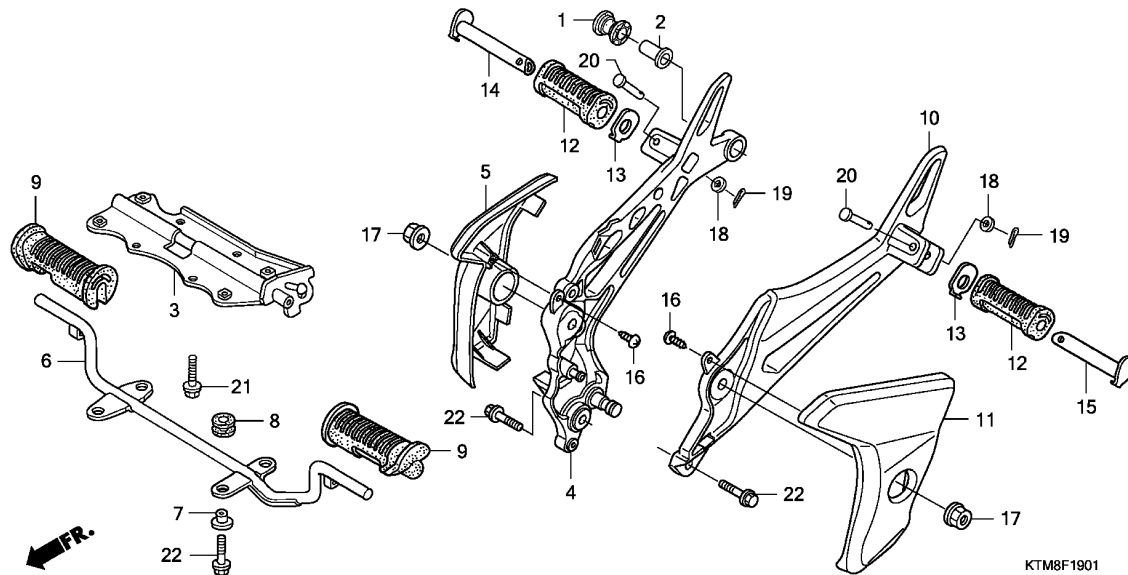
KTM8-F1900

Ref. No.	Part No.	Description	Reqd. QTY					Serial No.	Parts catalogue code
			ANF125MR 5/M5	7/M7	8/M8	9/M9	AFP125 KCS/KS MCS A		
12)	50715-KVL-910ZA	HOLDER, R. PILLION STEP *NH364M*SHEEN SILVER METALLIC	-	-	1	-	-	-----	MA,MMA
13	50716-KPH-900	HOLDER, L. PILLION STEP	1	-	-	-	-	-----	
	50716-KPH-700	-	1	-	-	-	-----	
	50716-KVL-910ZA	*NH364M*SHEEN SILVER METALLIC	-	-	1	-	-	-----	MA,MMA
14	94050-10000	NUT, FLANGE, 10MM	2	2	-	2	-	-----	MA,MMA
15	94101-06000	WASHER, PLAIN, 6MM	2	2	-	2	-	-----	MA,MMA
			-	-	2	-	-	-----	MA,MMA
16	94201-16150	PIN, SPLIT, 1.6X15	2	2	-	2	-	-----	MA,MMA
			-	-	2	-	-	-----	MA,MMA
17	95015-83000	PIN C, PILLION STEP	2	2	-	2	-	-----	MA,MMA
			-	-	2	-	-	-----	MA,MMA
18	95701-08020-00	BOLT, FLANGE, 8X20	5	5	-	5	-	-----	MA,MMA
			-	-	5	-	-	-----	MA,MMA
19	95701-08025-00	BOLT, FLANGE, 8X25	4	4	-	4	-	-----	MA,MMA
			-	-	4	-	-	-----	MA,MMA
20	95701-08035-00	BOLT, FLANGE, 8X35	1	-	-	-	-	-----	MA,MMA
	95701-08025-00	BOLT, FLANGE, 8X25	-	1	-	1	-	-----	MA,MMA
			-	-	1	-	-	-----	MA,MMA

F-19-1

STEP(2)

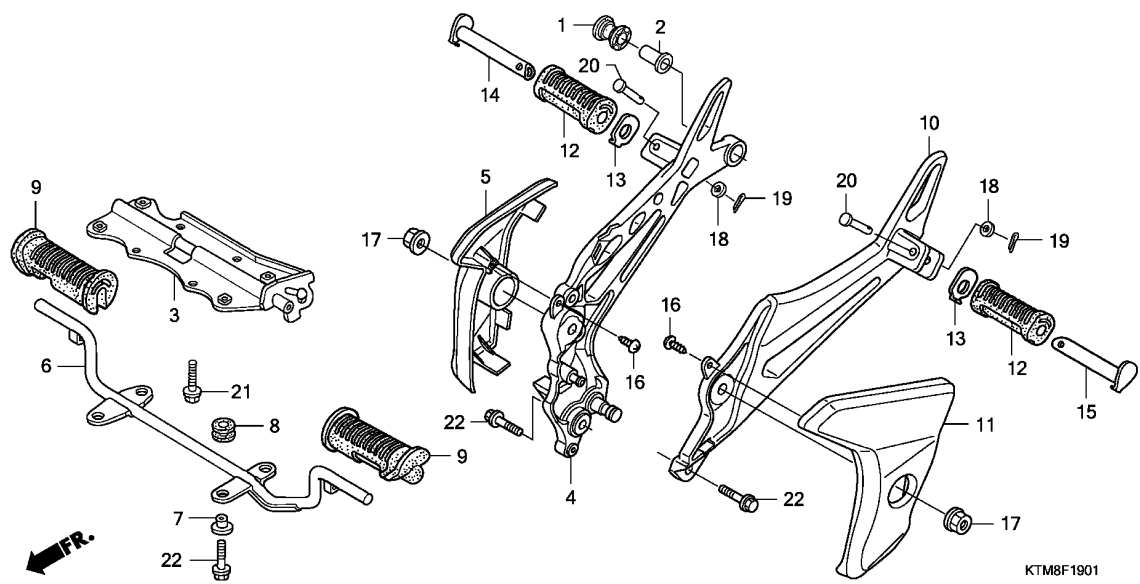
K 6



Ref. No.	L.O.N.	(Relative ref. Number) Description	F.R.T.
3	4101U8	BRACKET, MAIN STEP	0.4
4	4101Y4	BRACKET, PILLION STEP(A) :RIGHT	0.3
	4101Y5	BRACKET, PILLION STEP(A) :BOTH	0.5
6	410145	BAR, STEP	0.3
9	4101D3	RUBBER, STEP :LEFT	0.1
	4101D4	RUBBER, STEP :RIGHT	0.1
	4101L8	RUBBER, STEP :BOTH	0.1
10	4101Y7	BRACKET, PILLION STEP(A) :LEFT .NOTE: '09 model (12)	0.2
14	4101C8	BAR, PILLION STEP :RIGHT	0.1
	4101P4	BAR, PILLION STEP :BOTH	0.2
		(12)	
15	4101C7	BAR, PILLION STEP :LEFT	0.1

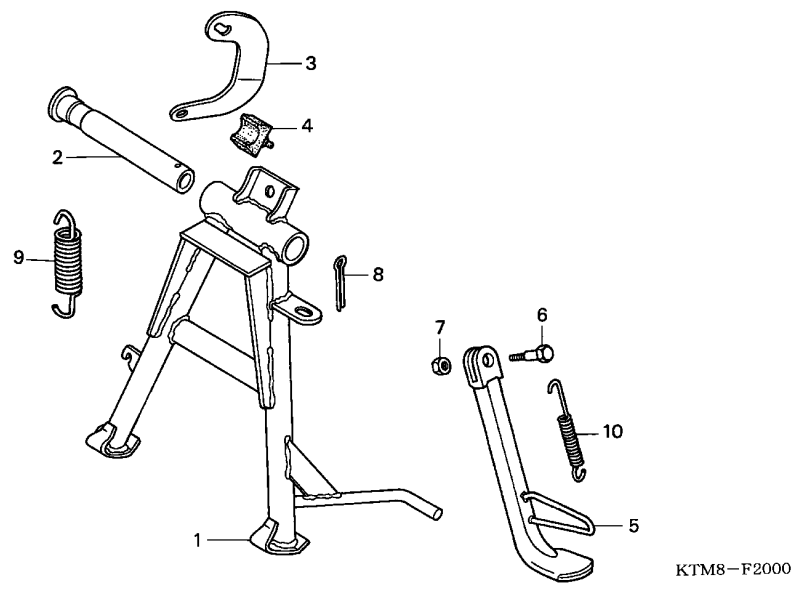
Ref. No.	Part No.	Description	Reqd. QTY					Serial No.	Parts catalogue code
			ANF125MR 5/M5	7/M7	8/M8	9/M9	AFP125 KCS/KS MCS A		
1	18421-KBA-900	RUBBER, MUFFLER MOUNTING	-	-	1	-	-	2MA	
2	18422-KPH-900	COLLAR, MUFFLER MOUNTING	-	-	1	-	2MA		
3	50605-KPH-900	BRACKET, MAIN STEP	-	-	1	-	2MA		
4	50605-KVR-600	HOLDER, R. PILLION STEP	-	-	1	-	2MA		
5	50606-KVR-600	GUARD, R. PIVOT COVER	-	-	1	-	2MA		
6	50610-KPH-900	BAR COMP., STEP	-	-	1	-	2MA		
7	50612-KPH-900	COLLAR, MAIN STEP MOUNTING ..	-	-	4	-	2MA		
8	50613-KFL-850	RUBBER, MAIN STEP MOUNTING ..	-	-	4	-	2MA		
9	50661-GN8-920	RUBBER, STEP	-	-	2	-	2MA		
10	50705-KVR-600	HOLDER, L. PILLION STEP	-	-	1	-	2MA		
11	50706-KVR-600	GUARD, L. PIVOT COVER	-	-	1	-	2MA		
12	50710-GN5-830	RUBBER, PILLION STEP	-	-	2	-	2MA		
13	50711-GN5-730	PLATE, PILLION STEP	-	-	2	-	2MA		

3



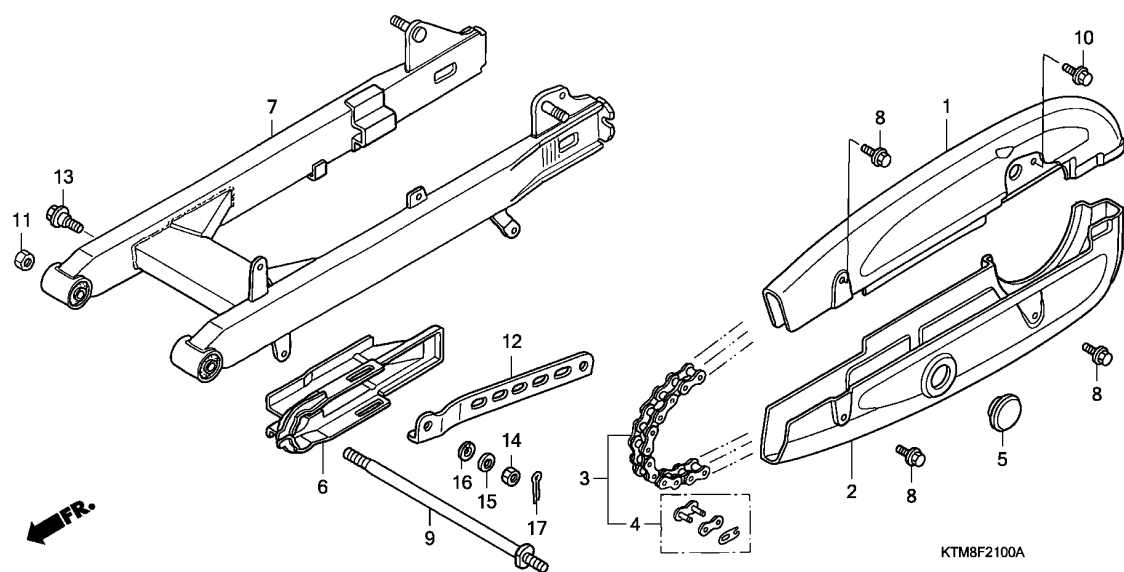
KTM8F1901

Ref. No.	Part No.	Description	Reqd. QTY					Serial No.	Parts catalogue code
			ANF125MR 5/M5	7/M7	8/M8	9/M9	AFP125 KCS/KS MCS A		
14	50713-KRS-690	BAR, R. PILLION STEP	-	-	1	-	-	-----	2MA
15	50714-KRS-690	BAR, L. PILLION STEP	-	-	1	-	-	-----	2MA
16	93903-35280	SCREW, TAPPING, 5X12	-	-	2	-	-	-----	2MA
17	94050-10000	NUT, FLANGE, 10MM	-	-	2	-	-	-----	2MA
18	94101-06000	WASHER, PLAIN, 6MM	-	-	2	-	-	-----	2MA
19	94201-16150	PIN, SPLIT, 1.6X15	-	-	2	-	-	-----	2MA
20	95015-83000	PIN C, PILLION STEP	-	-	2	-	-	-----	2MA
21	95701-08020-00	BOLT, FLANGE, 8X20	-	-	4	-	-	-----	2MA
22	95701-08025-00	BOLT, FLANGE, 8X25	-	-	6	-	-	-----	2MA



Ref. No.	L.O.N.	(Relative ref. Number) Description	F.R.T.
1		(2)	
410175		STAND, MAIN	0.5
5	410180	BAR, SIDE STAND	0.2
9		(3)	
410176		SPRING, MAIN STAND	0.2
10	410182	SPRING, SIDE STAND	0.1

Ref. No.	Part No.	Description	Reqd. QTY					Serial No.	Parts catalogue code
			ANF125MR				AFP125		
			5/M5	7/M7	8/M8	9/M9	A		
1	50500-KPH-E20	STAND COMP., MAIN	1	1	1	1	1		
2	50512-KPH-900	SHAFT, RR. BRAKE PIVOT	1	1	1	1	1		
3	50523-KPH-900	HOOK, MAIN STAND SPRING	1	1	1	1	1		
4	50524-397-000	RUBBER, STAND STOPPER	1	1	1	1	1		
5	50530-KPH-E20	BAR COMP., SIDE STAND	1	1	1	1	1		
6	90108-223-000	SCREW, SIDE STAND PIVOT	1	1	1	1	1		
7	94002-10000-0S	NUT, HEX., 10MM	1	1	1	1	1		
8	94201-30250	PIN, SPLIT, 3.0X25	1	1	1	1	1		
9	95014-71102	SPRING A, MAIN STAND	1	1	1	1	1		
10	95014-72102	SPRING A, SIDE STAND	1	1	1	1	1		



Ref. No.	L.O.N.	(Relative ref. Number) Description	F.R.T.
1	4101L9	CASE, DRIVE CHAIN :UPPER	0.1
	4101P7	CASE, DRIVE CHAIN :BOTH	0.1
2	4101M0	CASE, DRIVE CHAIN :LOWER	0.1
3	213165	CHAIN, DRIVE	0.3
6	4101M1	PACKING, DRIVE CHAIN CASE	0.5
7	5121B0	SWINGARM ASSEMBLY	0.7
12	7111H2	ARM, REAR BRAKE STOPPER	0.3

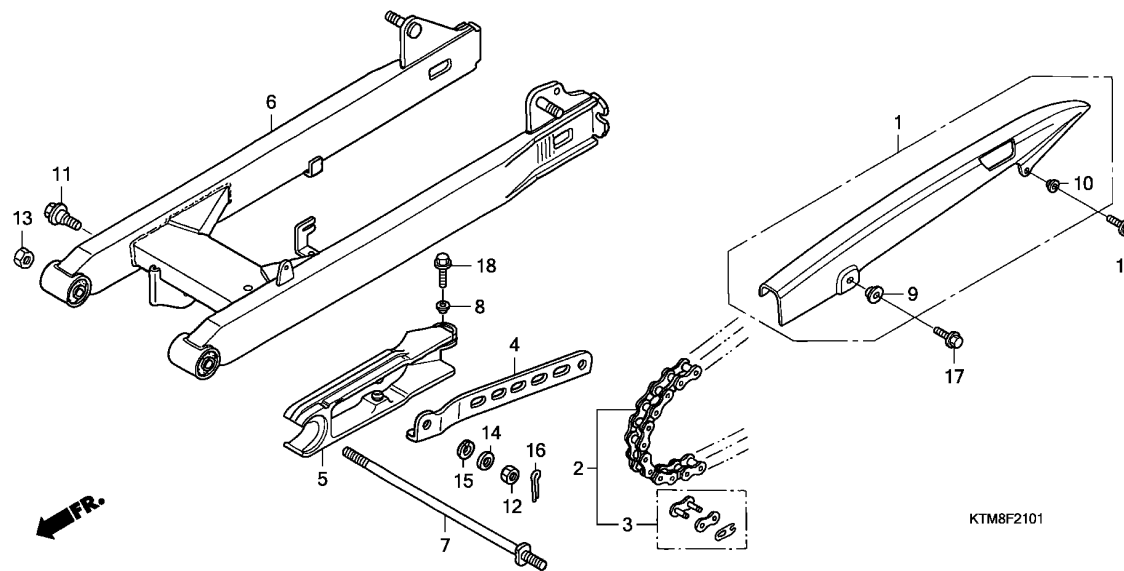
3

Ref. No.	Part No.	Description	Reqd. QTY					Serial No.	Parts catalogue code
			ANF125MR 5/M5	7/M7	8/M8	9/M9	AFP125 KCS/KS MCS A		
1	40510-KPH-900ZA	CASE, UPPER HALF DRIVE CHAIN *NH364M*SHEEN SILVER METALLIC	1	1	-	1	-	-----	MA,MMA
2	40520-KPH-900ZA	CASE, UNDER HALF DRIVE CHAIN *NH364M*SHEEN SILVER METALLIC	1	1	-	1	-	-----	MA,MMA
3	40530-KPH-901	CHAIN, DRIVE (DAIDO) (DID420DX-104RB)	1	1	-	1	-	-----	MA,MMA
	40530-KPH-702	CHAIN, DRIVE (RK EXCEL) (RK420SB-104RJ)	-	1	-	1	-	-----	MA,MMA
4	40531-KPH-901	JOINT, DRIVE CHAIN (DAIDO) ..	1	1	-	1	-	-----	MA,MMA
	40531-KPH-702	JOINT, DRIVE CHAIN (RK EXCEL)	-	1	-	1	-	-----	MA,MMA
5	40545-001-000	CAP, CHAIN CASE PEEP HOLE ...	1	1	-	1	-	-----	MA,MMA
6	40591-KPH-900	PACKING, DRIVE CHAIN CASE ...	1	1	-	1	-	-----	MA,MMA
7	52200-KPH-900ZA	SWINGARM SUB ASSY., RR. *NH364M*SHEEN SILVER METALLIC	1	-	-	-	-	-----	MA,MMA
	52200-KPH-700ZA	*NH364M*SHEEN SILVER METALLIC	-	1	-	1	-	-----	MA,MMA
8	90118-383-000	BOLT-WASHER, 6X6	3	3	-	3	-	-----	MA,MMA

F-21-1

SWINGARM(2)

K11



Ref. No.	L.O.N.	(Relative ref. Number) Description	F.R.T.
1	410195	CASE, DRIVE CHAIN	0.1
2	2131N2	CHAIN, DRIVE(A)	0.2
4	7111H2	ARM, REAR BRAKE STOPPER	0.3
5	4101E5	SLIDER, CHAIN	0.3
6	5121K8	SWINGARM ASSEMBLY(A)	0.8

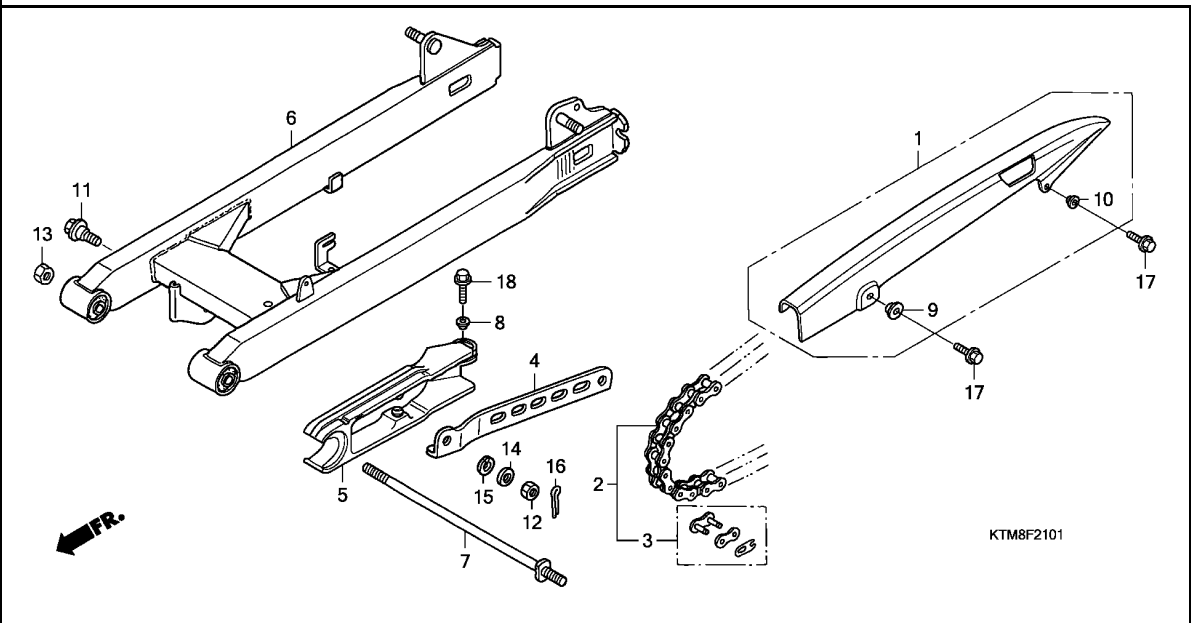
3

Ref. No.	Part No.	Description	Reqd. QTY					Serial No.	Parts catalogue code
			ANF125MR 5/M5	7/M7	8/M8	9/M9	AFP125 KCS/KS MCS A		
1	40510-KTM-730	CASE, DRIVE CHAIN	-	-	-	1	-	-----	2MA
2	40530-KPH-901	CHAIN, DRIVE (DAIDO)	-	-	-	1	-	-----	2MA
		(DID420DX-104RB)	-	-	-	1	-	-----	2MA
	40530-KPH-702	CHAIN, DRIVE (RK EXCEL)	-	-	-	1	-	-----	2MA
		(RK420SB-104RJ)	-	-	-	1	-	-----	2MA
	40530-KYL-841	CHAIN, DRIVE (DAIDO)	-	-	-	1	-	-----	2MA
		(420AD-104RE)	-	-	-	1	-	-----	2MA
	40530-KYL-842	CHAIN, DRIVE (RK EXCEL)	-	-	-	1	-	-----	2MA
		(420SL-104RJE)	-	-	-	1	-	-----	2MA
3	40531-KPH-901	JOINT, DRIVE CHAIN (DAIDO) ..	-	-	-	1	-	-----	2MA
			-	-	-	1	-	-----	2MA
	40531-KPH-702	JOINT, DRIVE CHAIN (RK EXCEL)	-	-	-	1	-	-----	2MA
	40531-KWB-602	-	-	-	1	-	-----	2MA
4	43431-KPH-700	ARM, RR. BRAKE STOPPER	-	-	-	1	-	-----	2MA
			-	-	-	1	-	-----	2MA
5	52170-KPH-720	SLIDER, CHAIN	-	-	-	1	-	-----	2MA
			-	-	-	1	-	-----	2MA
6	52200-KVL-T00ZA	SWINGARM SET, RR.	-	-	-	1	-	-----	KSMA,2MA
		*NH364M*SHEEN SILVER METALLIC	-	-	-	1	-	-----	KSMA,2MA
	52200-KVL-T00ZB	*NHB31M*	-	-	-	1	-	-----	KCSMA,MCSMA
		MAT CHARCOAL GRAY METALLIC	-	-	-	1	-	-----	KCSMA,MCSMA
7	90121-KTL-740	BOLT, SWINGARM PIVOT	-	-	-	1	-	-----	2MA
			-	-	-	1	-	-----	2MA
8	90503-KEV-880	COLLAR, FR. FENDER	-	-	-	1	-	-----	2MA
			-	-	-	1	-	-----	2MA

F-21-1

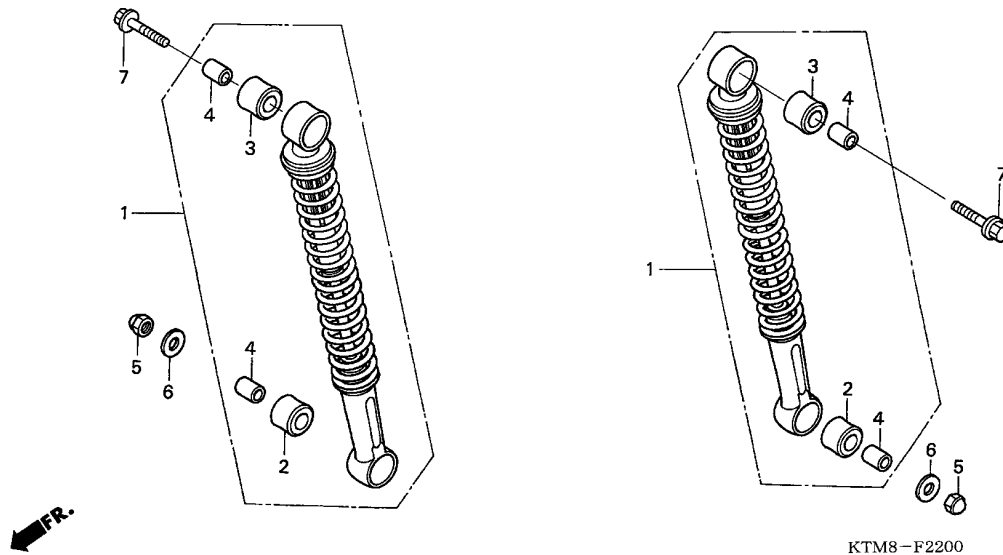
SWINGARM(2)

K12



Ref. No.	Part No.	Description	Reqd. QTY					Serial No.	Parts catalogue code
			ANF125MR 5/M5	7/M7	8/M8	9/M9	AFP125 KCS/KS MCS A		
9	90513-405-000	WASHER, 6X9	-	-	1	-	-	-----	2MA
10	90563-KEV-750	WASHER, CHAIN CASE SETTING ..	-	-	1	-	-	-----	2MA
11	92812-10000	BOLT A, STOPPER ARM	-	-	1	-	-	-----	2MA
12	94001-08000-0S	NUT, HEX., 8MM	-	-	1	-	-	-----	2MA
13	94031-10000	NUT, HEX., 10MM	-	-	1	-	-	-----	2MA
14	94101-08000	WASHER, PLAIN, 8MM	-	-	1	-	-	-----	2MA
15	94111-10000	WASHER, SPRING, 10MM	-	-	1	-	-	-----	2MA
16	94201-20150	PIN, SPLIT, 2.0X15	-	-	1	-	-	-----	2MA
17	95701-06010-07	BOLT, FLANGE, 6X10	-	-	2	-	-	-----	2MA
18	96001-06016-00	BOLT, FLANGE, 6X16	-	-	1	-	-	-----	2MA
			-	-	-	-	1		

3



Ref. No.	L.O.N.	(Relative ref. Number) Description	F.R.T.
1	5121B6	CUSHION ASSY., REAR :LEFT	0.4
	5121B6B	. '07 model add	0.2
	5121B7	CUSHION ASSY., REAR :RIGHT	0.4
	5121B7B	. '07 model add	0.2
	5121B8	CUSHION ASSY., REAR :BOTH	0.5
	5121B8B	. '07 model add	0.2
	5121K1	CUSHION ASSY., REAR(A) :LEFT	0.5
	5121K2	CUSHION ASSY., REAR(A) :RIGHT	0.5
	5121K3	CUSHION ASSY., REAR(A) :BOTH	0.6

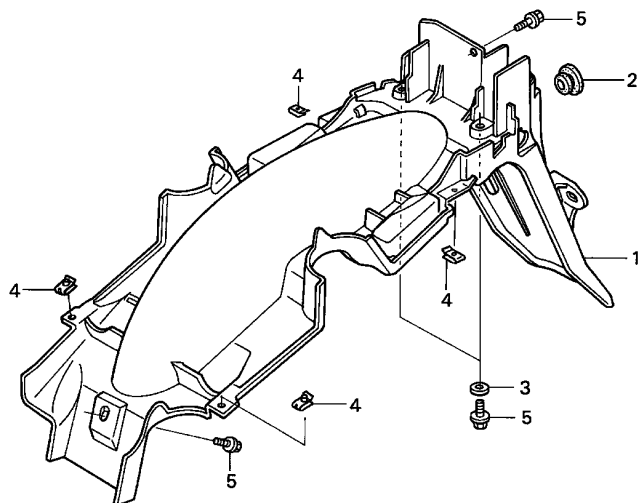
3

Ref. No.	Part No.	Description	Reqd. QTY					Serial No.	Parts catalogue code
			5/M5	7/M7	8/M8	9/M9	A		
1	52400-KTM-881	CUSHION ASSY., RR.	2	2	-	2	-		
	52400-KVL-M21	-	-	2	-	-	----- MA, MMA	
		-	-	2	-	-	----- 2MA	
2	52485-GA7-003	BUSH, RUBBER	2	2	2	2	2		
3	52485-088-901	BUSH, RR. CUSHION RUBBER (SHOWA)	2	2	2	2	2		
4	52486-GA7-003	COLLAR, RUBBER BUSH (SHOWA)	4	4	4	4	4		
5	90301-KPH-900	NUT, HEX. CAP, 10MM	2	-	-	-	-		
	90301-KPH-700	-	2	2	2	2		
6	94101-10000	WASHER, PLAIN, 10MM	2	2	2	2	2		
7	95801-10035-00	BOLT, FLANGE, 10X35	2	2	2	2	2		

F-23

REAR FENDER(1)

K14



KTM8-F2300

Ref. No.	L.O.N.	(Relative ref. Number) Description	F.R.T.
1	413102	FENDER, REAR	0.7
	413102B	. '07 model add	0.2

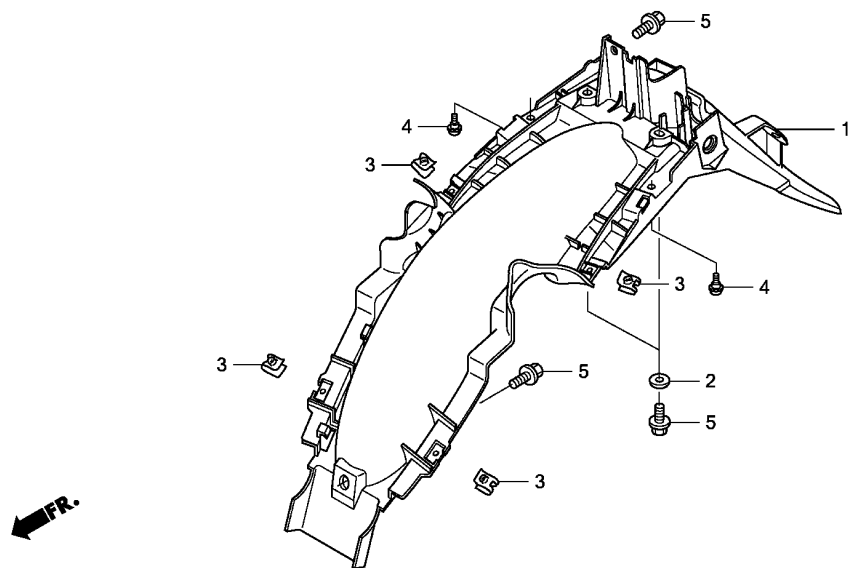
Ref. No.	Part No.	Description	Reqd. QTY					Serial No.	Parts catalogue code
			5/M5	ANF125MR 7/M7	8/M8	9/M9	AFP125 KCS/KS MCS A		
1	80100-KPH-900	FENDER, RR.	1	-	-	-	-		
	80100-KPH-700	-	1	-	1	-	-----	MA,MMA
2	83601-MN5-000	GROMMET, SIDE COVER	1	-	-	-	-	-----	MA,MMA
	83551-GE2-000	GROMMET, AIR CLEANER CASE ...	-	1	-	1	-	-----	MA,MMA
3	90485-286-000	WASHER, 6MM	-	-	1	-	-	-----	MA,MMA
4	90677-KAN-T00	NUT, CLIP, 5MM	4	4	-	4	-	-----	MA,MMA
5	95701-06012-08	BOLT, FLANGE, 6X12	4	4	-	4	-	-----	MA,MMA
			-	-	4	-	-	-----	MA,MMA

3

F-23-1

REAR FENDER(2)

K15



KTM8F2301

Ref. No.	L.O.N.	(Relative ref. Number) Description	F.R.T.
----------	--------	------------------------------------	--------

1	4131W8	FENDER, REAR(A)	0.8
---	--------	-----------------	-----

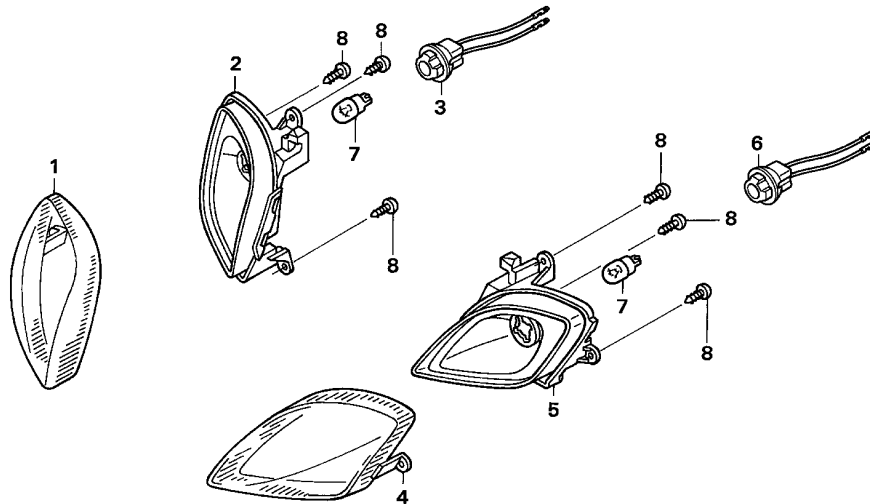
3

Ref. No.	Part No.	Description	Reqd. QTY					Serial No.	Parts catalogue code
			ANF125MR 5/M5	7/M7	8/M8	9/M9	AFP125 KCS/KS MCS A		
1	80110-KVL-T20ZA	FENDER SET, RR. *TYPE1*(WL)	-	-	1	-	-	-----	2MA
2	90485-286-000	WASHER, 6MM	-	-	2	-	-	-----	2MA
3	90677-KAN-T00	NUT, CLIP, 5MM	-	-	4	-	-	-----	2MA
4	91509-GE2-760	SCREW, PAN, 5X11.5	-	-	2	-	-	-----	2MA
5	95701-06012-08	BOLT, FLANGE, 6X12	-	-	4	-	-	-----	2MA
			-	-	-	-	4		

F-24

FRONT WINKER(1)

K16



KTM8-F2400

Ref. No.	L.O.N.	(Relative ref. Number) Description	F.R.T.
2		(1)	
	6161D0	BASE, WINKER :RIGHT FRONT	0.2
	6161D1	BASE, WINKER :BOTH FRONT	0.3
3	6161B6	SOCKET, WINKER :RIGHT FRONT ..	0.2
	6161B7	SOCKET, WINKER :BOTH FRONT ...	0.2
5		(4)	
	6161C9	BASE, WINKER :LEFT FRONT	0.2
6	6161B5	SOCKET, WINKER :LEFT FRONT ...	0.2
7	616133	BULB, WINKER :FRONT	0.2
		.NOTE: Same time for two units	
	6161G0	BULB, WINKER :FOR 1 VEHICLE ..	0.3

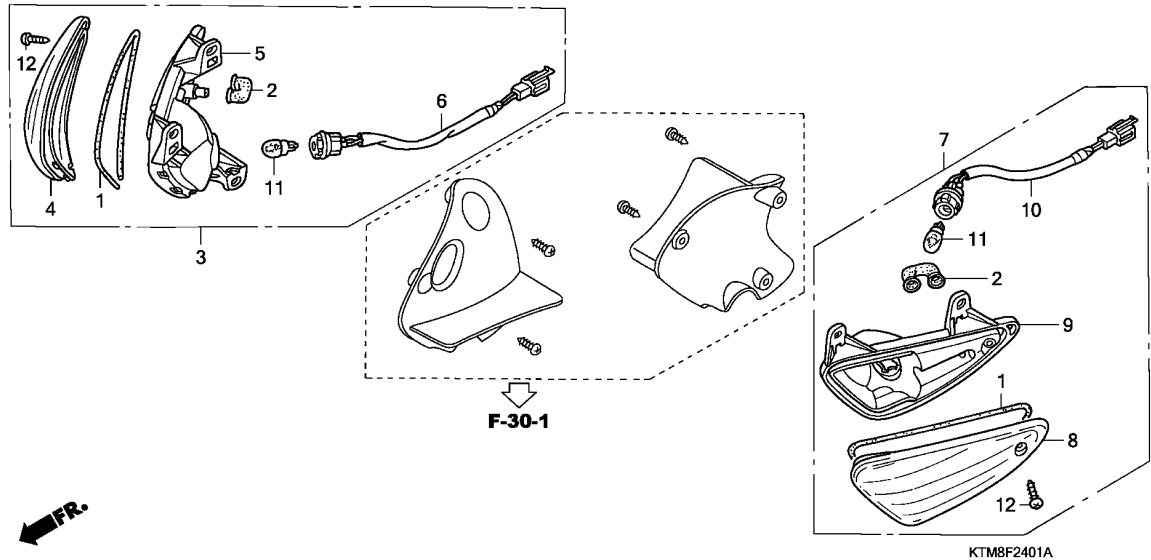
Ref. No.	Part No.	Description	Reqd. QTY					Serial No.	Parts catalogue code
			ANF125MR 5/M5 7/M7 8/M8 9/M9	AFP125 KCS/KS MCS	A				
1	33402-KPH-B31	LENS, R. FR. WINKER	1	-	-	-	-		
2	33403-KPH-B31	BASE, R. WINKER	1	-	-	-	-		
3	33406-KTM-881	SOCKET COMP., R. WINKER	1	-	-	-	-		
4	33452-KPH-B31	LENS, L. FR. WINKER	1	-	-	-	-		
5	33453-KPH-B31	BASE, L. WINKER	1	-	-	-	-		
6	33456-KTM-881	SOCKET COMP., L. WINKER	1	-	-	-	-		
7	34905-KPH-901	BULB, WINKER (12V 10W)	2	-	-	-	-		
8	93903-34380	SCREW, TAPPING, 4X12	6	-	-	-	-		

3

F-24-1

FRONT WINKER(2)

L 1



Ref. No.	L.O.N.	(Relative ref. Number) Description	F.R.T.
3	6161C4	WINKER :RIGHT FRONT	0.4
	6161C5	WINKER :BOTH FRONT	0.6
5	6161D0	BASE, WINKER :RIGHT FRONT	0.4
	6161D1	BASE, WINKER :BOTH FRONT	0.6
6	6161B6	SOCKET, WINKER :RIGHT FRONT ..	0.4
	6161B7	SOCKET, WINKER :BOTH FRONT ...	0.6
7	6161C3	WINKER :LEFT FRONT	0.4
9	6161C9	BASE, WINKER :LEFT FRONT	0.4
10	6161B5	SOCKET, WINKER :LEFT FRONT ...	0.4
11		(1,4,8)	
	616133	BULB, WINKER :FRONT	0.1
	6161G0	.NOTE: Same time for two units BULB, WINKER :FOR 1 VEHICLE ..	0.2

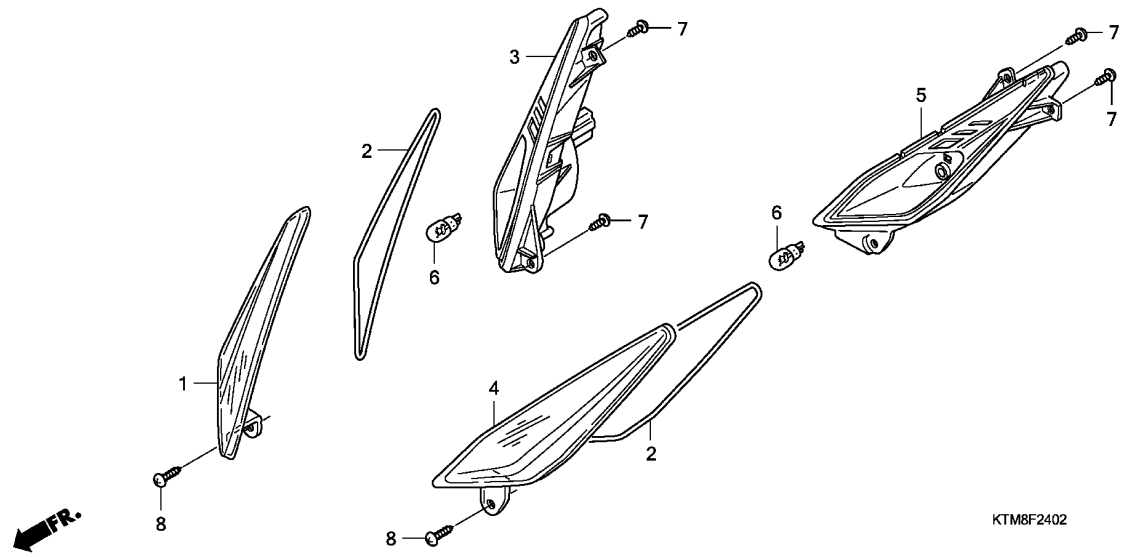
3

Ref. No.	Part No.	Description	Reqd. QTY				Serial No.	Parts catalogue code
			ANF125MR 5/M5	7/M7	8/M8	9/M9		
						AFP125 KCS/KS MCS A		
1	32404-KPH-701	GASKET	-	2	-	2	-	MA,MMA
2	32405-KPH-701	COVER, TUBE	-	2	-	2	-	MA,MMA
3	33400-KPH-701	WINKER ASSY., R. FR.	-	1	-	1	-	MA,MMA
4	33402-KPH-701	LENS, R. FR. WINKER	-	1	-	1	-	MA,MMA
5	33403-KPH-701	BASE, R. WINKER	-	1	-	1	-	MA,MMA
6	33407-KPH-701	SOCKET COMP., R. WINKER	-	1	-	1	-	MA,MMA
7	33450-KPH-701	WINKER ASSY., L. FR.	-	1	-	1	-	MA,MMA
8	33452-KPH-701	LENS, L. FR. WINKER	-	1	-	1	-	MA,MMA
9	33453-KPH-701	BASE, L. WINKER	-	1	-	1	-	MA,MMA
10	33457-KPH-701	SOCKET COMP., L. WINKER	-	1	-	1	-	MA,MMA
11	34905-KPH-901	BULB, WINKER (12V 10W)	-	2	-	2	-	MA,MMA
12	93911-14420	SCREW, TAPPING, 4X16(PO)	-	2	-	2	-	MA,MMA

F-24-2

FRONT WINKER(3)

L 2



Ref. No.	L.O.N.	(Relative ref. Number) Description	F.R.T.
3	6161W2	BASE, WINKER(A) :RIGHT FRONT	0.2
	6161W3	BASE, WINKER(A) :BOTH FRONT	0.3
5	6161W1	BASE, WINKER(A) :LEFT FRONT	0.2
6		(1,2,4)	
	616133	BULB, WINKER :FRONT	0.1
	6161G0	BULB, WINKER :FOR 1 VEHICLE	0.2

.NOTE: Same time for two units

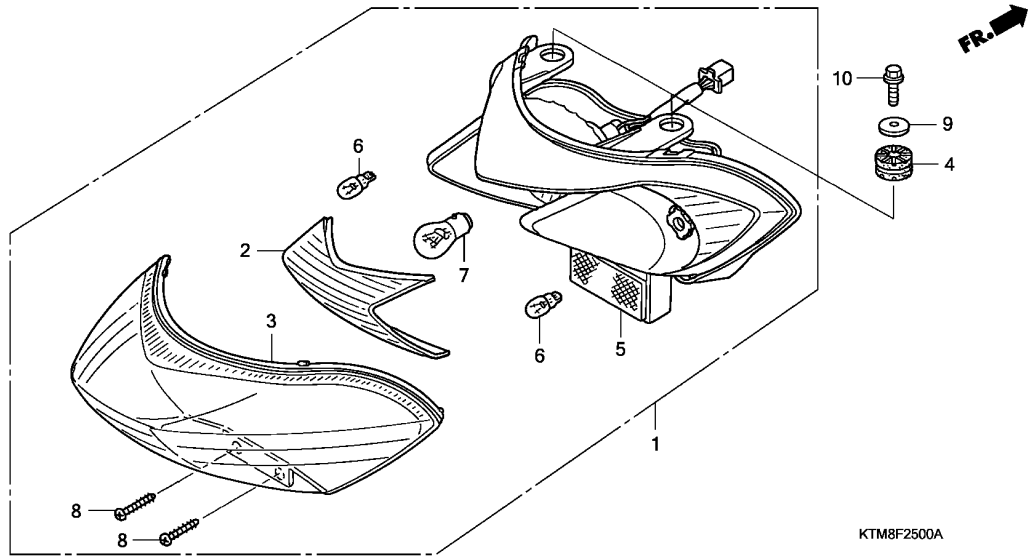
Ref. No.	Part No.	Description	Reqd. QTY					Serial No.	Parts catalogue code
			ANF125MR	AFP125					
			5/M5	7/M7	8/M8	9/M9	A		
1	33402-KVL-T11	LENS, R. FR. WINKER	-	-	1	-	-	-----	2MA
2	33404-KVL-T11	SEAL, GASKET	-	-	2	-	1	-----	2MA
3	33410-KVL-T11	BASE COMP., R.	-	-	1	-	1	-----	2MA
4	33452-KVL-T11	LENS, L. FR. WINKER	-	-	1	-	-	-----	2MA
5	33460-KVL-T11	BASE COMP., L.	-	-	1	-	1	-----	2MA
6	34905-KAN-W01	BULB, WINKER (12V 10W) (STANLEY)	-	-	2	-	-	-----	2MA
7	93903-34380	SCREW, TAPPING, 4X12	-	-	6	-	2	-----	2MA
8	93911-14420	SCREW, TAPPING, 4X16(P0)	-	-	2	-	6	-----	2MA
			-	-	-	-	2		

3

F-25

REAR COMBINATION LIGHT(1)

L 3



Ref. No.	L.O.N.	(Relative ref. Number) Description	F.R.T.
1	6161H2	TAILLIGHT ASSEMBLY	0.5
3		(2)	
	6161E4	LENS, TAILLIGHT	0.1
6	616139	BULB, WINKER :REAR	0.1
		.NOTE: Same time for two units	
	6161G0	BULB, WINKER :FOR 1 VEHICLE ..	0.3
7	6161G1	BULB, TAILLIGHT	0.1

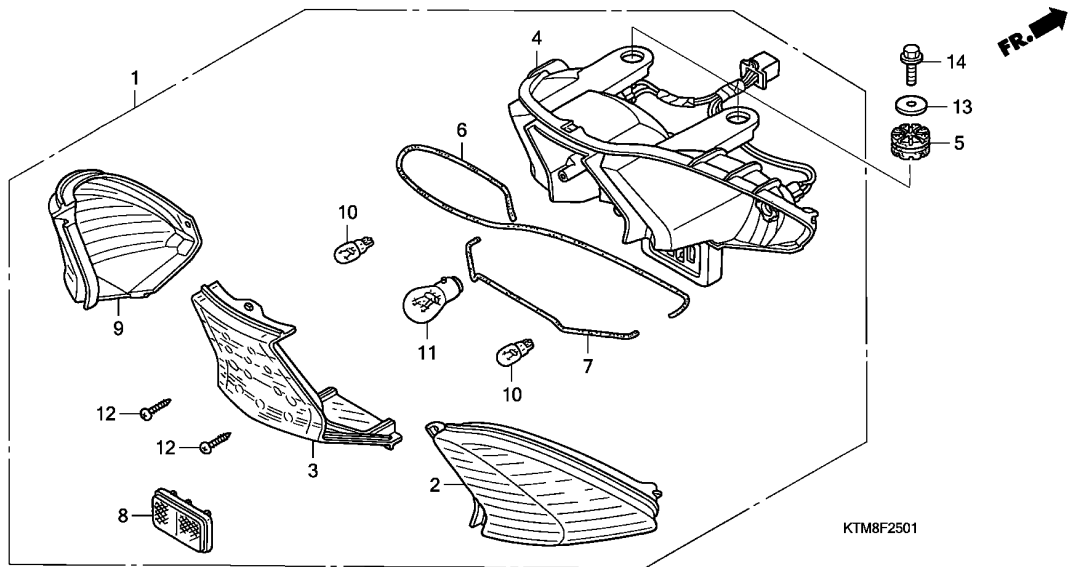
3

Ref. No.	Part No.	Description	Reqd. QTY					Serial No.	Parts catalogue code
			ANF125MR	AFP125	KCS/KS	MCS	A		
			5/M5	7/M7	8/M8	9/M9			
1	33700-KPH-901	LIGHT ASSY., RR. COMBINATION	1	-	-	-	-		
2	33701-KPH-901	LENS, TAILLIGHT INNER	1	-	-	-	-		
3	33702-KPH-901	LENS, RR. COMBINATION	1	-	-	-	-		
4	33705-KW7-900	RUBBER A, TAILLIGHT MOUNTING	2	-	-	-	-		
5	33710-KPH-901	BASE COMP.	1	-	-	-	-		
6	34905-KAN-W01	BULB, WINKER (12V 10W) (STANLEY)	2	-	-	-	-		
7	34906-GB6-921	BULB, TAILLIGHT (12V 18/5W) (STANLEY)	1	-	-	-	-		
8	93903-24580	SCREW, TAPPING, 4X20	2	-	-	-	-		
9	94103-06000	WASHER, PLAIN, 6MM	2	-	-	-	-		
10	95701-06012-00	BOLT, FLANGE, 6X12	2	-	-	-	-		

F-25-1

REAR COMBINATION LIGHT(2)

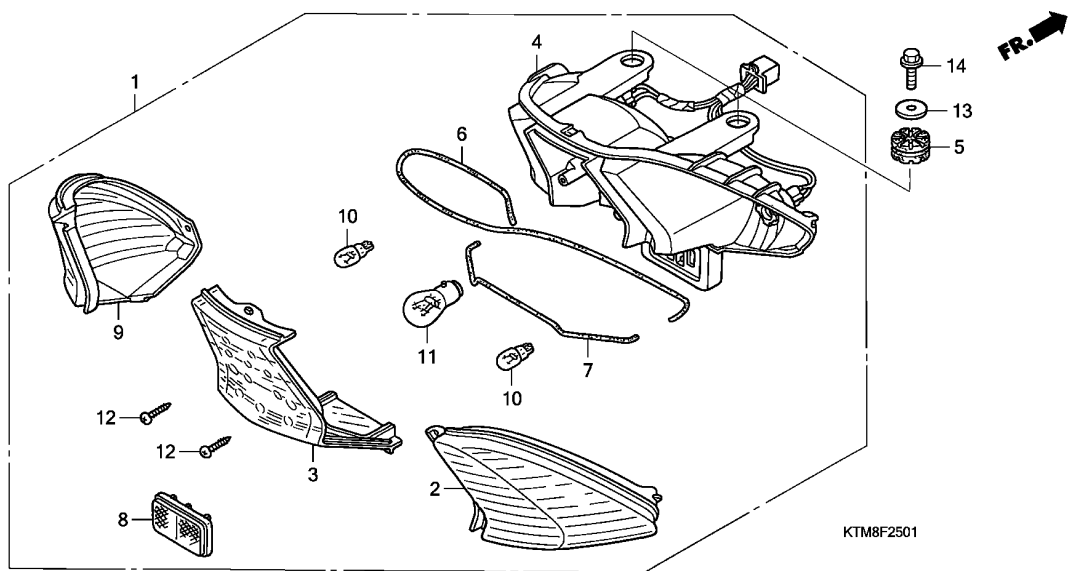
L 4



Ref. No.	L.O.N.	(Relative ref. Number) Description	F.R.T.
1	6161D5	TAILLIGHT UNIT	0.6
4	6161E2	BASE, TAILLIGHT	0.7
10		(2,6,7,9)	
	616139	BULB, WINKER :REAR	0.1
		.NOTE: Same time for two units	
	6161G0	BULB, WINKER :FOR 1 VEHICLE --	0.2
11		(3,6,7)	
	6161G1	BULB, TAILLIGHT	0.1

Ref. No.	Part No.	Description	Reqd. QTY					Serial No.	Parts catalogue code
			ANF125MR 5/M5 7/M7 8/M8 9/M9	AFP125 KCS/KS MCS A					
1	33700-KPH-701	LIGHT ASSY., RR. COMBINATION	-	1	-	1	-		
2	33702-KPH-701	LENS, R. WINKER	-	1	-	1	-	-----	MA,MMA
3	33703-KPH-701	LENS COMP., TAILLIGHT	-	1	-	1	-	-----	MA,MMA
4	33704-KPH-701	BASE COMP., TAILLIGHT	-	1	-	1	-	-----	MA,MMA
5	33705-KW7-900	RUBBER A, TAILLIGHT MOUNTING	-	2	-	2	-	-----	MA,MMA
6	33706-KPH-701	PACKING (1)	-	1	-	1	-	-----	MA,MMA
7	33707-KPH-701	PACKING (2)	-	1	-	1	-	-----	MA,MMA
8	33741-KAN-961	REFLECTOR, RR. REFLEX (STANLEY)	-	1	-	1	-	-----	MA,MMA
9	33752-KPH-701	LENS, L. WINKER	-	1	-	1	-	-----	MA,MMA
10	34905-KAN-W01	BULB, WINKER (12V 10W) (STANLEY)	-	2	-	2	-	-----	MA,MMA
11	34906-GB6-921	BULB, TAILLIGHT (12V 18/5W) (STANLEY)	-	1	-	1	-	-----	MA,MMA

3



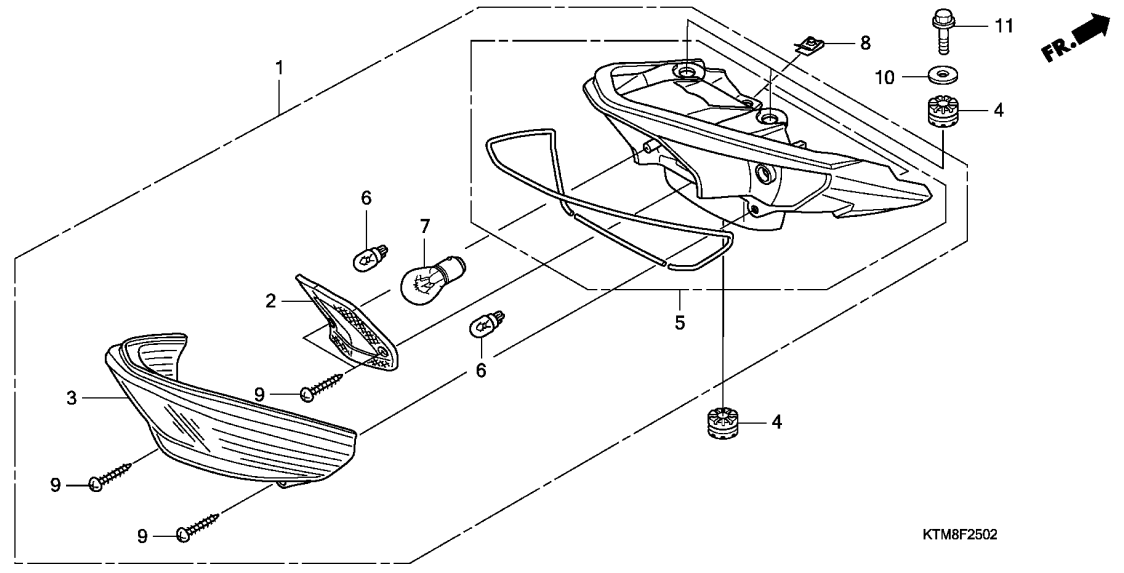
3

Ref. No.	Part No.	Description	Reqd. QTY					Serial No.	Parts catalogue code
			ANF125MR 5/M5	7/M7	8/M8	9/M9	AFP125 KCS/KS MCS A		
12	93903-24580	SCREW, TAPPING, 4X20	-	2	-	2	-		
13	94103-06000	WASHER, PLAIN, 6MM	-	2	-	2	-	-----	MA,MMA
14	95701-06012-00	BOLT, FLANGE, 6X12	-	2	-	2	-	-----	MA,MMA
			-	-	2	-	-	-----	MA,MMA

F-25-2

REAR COMBINATION LIGHT(3)

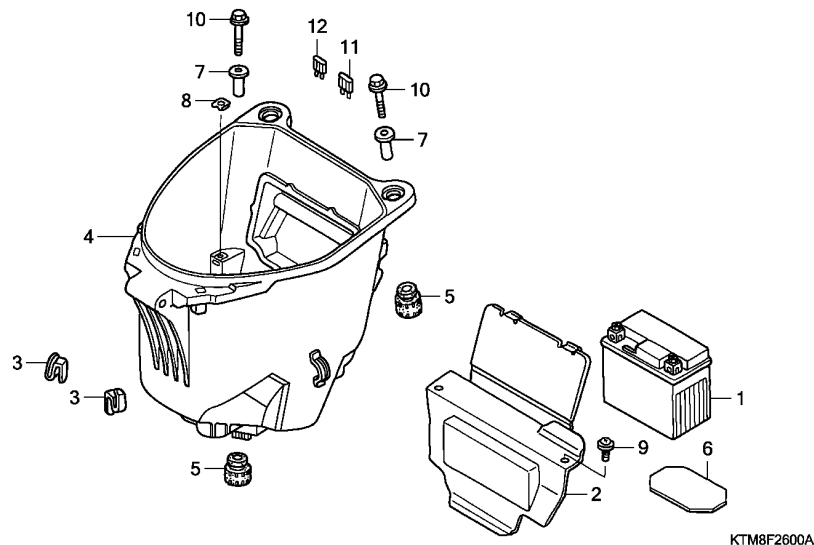
L 6



Ref. No.	L.O.N.	(Relative ref. Number) Description	F.R.T.
1	6161D5	TAILLIGHT UNIT	0.5
5	6161E2	BASE, TAILLIGHT	0.6
6		(3)	
	616139	BULB, WINKER :REAR	0.1
		.NOTE: Same time for two units	
	6161G0	BULB, WINKER :FOR 1 VEHICLE --	0.2
7		(2,3)	
	6161G1	BULB, TAILLIGHT	0.1

Ref. No.	Part No.	Description	Reqd. QTY					Serial No.	Parts catalogue code
			ANF125MR 5/M5	7/M7	8/M8	9/M9	AFP125 KCS/KS MCS A		
1	33700-KVL-T11	LIGHT ASSY., RR. COMBINATION	-	-	1	-	-	-----	2MA
2	33701-KVL-T11	LENS, TAILLIGHT INNER	-	-	1	-	1	-----	2MA
3	33702-KVL-T11	LENS, RR. COMBINATION	-	-	1	-	1	-----	2MA
4	33705-KW7-900	RUBBER A, TAILLIGHT MOUNTING	-	-	3	-	-	-----	2MA
5	33710-KVL-T11	BASE COMP., RR.	-	-	1	-	3	-----	2MA
6	34905-KAN-W01	BULB, WINKER (12V 10W) (STANLEY)	-	-	2	-	-	-----	2MA
7	34906-GB6-921	BULB, TAILLIGHT (12V 18/5W) (STANLEY)	-	-	1	-	2	-----	2MA
8	90677-KAN-T00	NUT, CLIP, 5MM	-	-	2	-	1	-----	2MA
9	93901-24480	SCREW, TAPPING, 4X16	-	-	4	-	2	-----	2MA
10	94103-06000	WASHER, PLAIN, 6MM	-	-	2	-	4	-----	2MA
11	95701-06012-00	BOLT, FLANGE, 6X12	-	-	2	-	2	-----	2MA

3



Ref. No.	L.O.N.	(Relative ref. Number) Description	F.R.T.
1	610100	BATTERY	0.2
4	412102	BOX, LUGGAGE	0.6
	412102B	. '07 model add	0.2

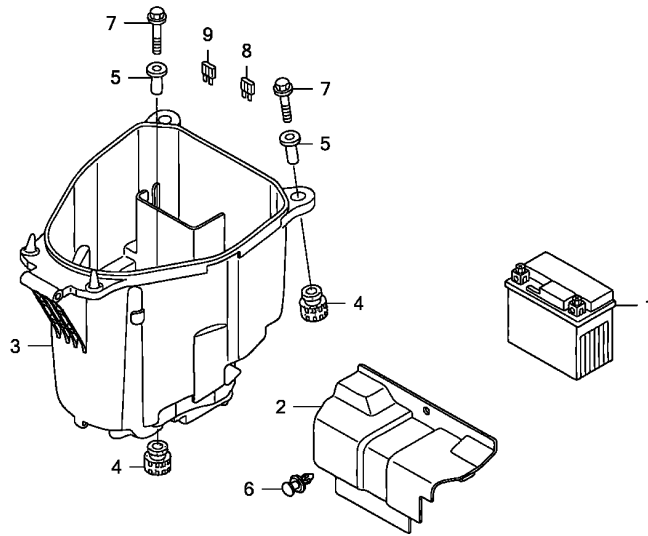
3

Ref. No.	Part No.	Description	Reqd. QTY					Serial No.	Parts catalogue code
			ANF125MR 5/M5	7/M7	8/M8	9/M9	AFP125 KCS/KS MCS A		
1	31500-KRS-691	BATTERY (YTZ3)(YUASA)	1	1	1	1	-	-----	MA
	31500-KPH-B31	BATTERY (YTZ5S)(YUASA)	1	1	1	1	-	-----	MMA
2	50381-KPH-900	COVER, BATTERY	1	1	-	1	-	-----	MA,MMA
			-	-	1	-	-	-----	MA,MMA
3	77106-KPG-900	HOOK, HELMET	2	2	-	2	-	-----	MA,MMA
			-	-	2	-	-	-----	MA,MMA
4	81250-KPH-900	BOX COMP., LUGGAGE	1	-	-	-	-	-----	MA,MMA
	81250-KVL-910	-	1	-	1	-	-----	MA,MMA
5	81253-KPH-900	RUBBER, LUGGAGE BOX MOUNTING	4	4	-	4	-	-----	MA,MMA
			-	-	4	-	-	-----	MA,MMA
6	81257-KPH-900	CUSHION, BATTERY	1	1	-	1	-	-----	MA,MMA
			-	-	1	-	-	-----	MA,MMA
7	90502-KPH-900	COLLAR, 6.2X20	4	4	-	4	-	-----	MA,MMA
			-	-	4	-	-	-----	MA,MMA
8	90677-KAN-T00	NUT, CLIP, 5MM	2	2	-	2	-	-----	MA,MMA
			-	-	2	-	-	-----	MA,MMA
9	91509-GE2-760	SCREW, PAN, 5X11.5	2	2	-	2	-	-----	MA,MMA
			-	-	2	-	-	-----	MA,MMA
10	96001-06030-00	BOLT, FLANGE, 6X30	4	4	-	4	-	-----	MA,MMA
			-	-	4	-	-	-----	MA,MMA
11	98200-41000	FUSE, MINI (10A)	1	1	-	1	-	-----	MA,MMA
			-	-	1	-	-	-----	MA,MMA
12	98200-41500	FUSE, MINI (15A)	1	1	-	1	-	-----	MA,MMA
			-	-	1	-	-	-----	MA,MMA

F-26-1

BATTERY/LUGGAGE BOX(2)

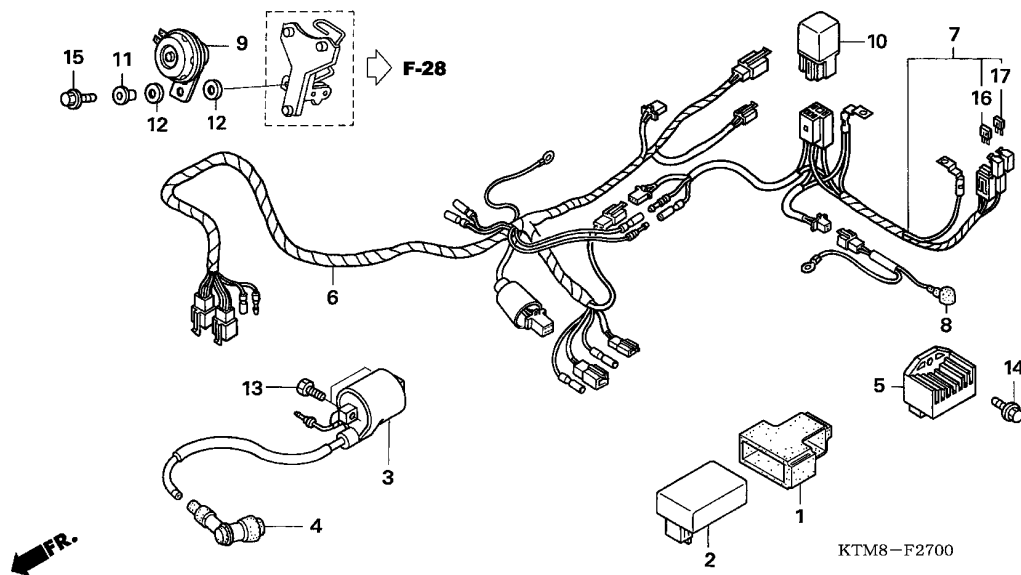
L 8



Ref. No.	L.O.N.	(Relative ref. Number) Description	F.R.T.
1	610100	BATTERY	0.2
3	412102	BOX, LUGGAGE	0.6

Ref. No.	Part No.	Description	Reqd. QTY					Serial No.	Parts catalogue code
			ANF125MR	AFP125	KCS/KS	MCS	A		
			5/M5	7/M7	8/M8	9/M9			
1	31500-KRS-691	BATTERY (YTZ3) (YUASA)	-	-	1	-	1	-----	KCSMA,KSMA,2MA
	31500-KWB-601	BATTERY (FTZ3V) (FURUKAWA) ...	-	-	-	-	1	-----	KCSMA,KSMA
	31500-KPH-B31	BATTERY (YTZ5S) (YUASA)	-	-	-	-	1	-----	MCSMA
2	50381-KTL-740	COVER, BATTERY	-	-	1	-	-	-----	2MA
3	81250-KTL-740	BOX COMP., LUGGAGE	-	-	1	-	-	-----	2MA
4	81253-KPH-900	RUBBER, LUGGAGE BOX MOUNTING	-	-	4	-	-	-----	2MA
5	90502-KPH-900	COLLAR, 6.2X20	-	-	4	-	-	-----	2MA
			-	-	-	-	4		
6	90634-KPG-900	CLIP, BATTERY COVER	-	-	1	-	-	-----	2MA
7	96001-06030-00	BOLT, FLANGE, 6X30	-	-	4	-	-	-----	2MA
8	98200-41000	FUSE, MINI (10A)	-	-	1	-	-	-----	2MA
9	98200-41500	FUSE, MINI (15A)	-	-	1	-	-	-----	2MA
			-	-	-	-	1		

3



Ref. No.	L.O.N.	(Relative ref. Number) Description	F.R.T.
2	6141A1	IGNITION CONTROL MODULE	0.6
3	614105	COIL, IGNITION	0.6
5	6131B2	RECTIFIER, REGULATE	0.6
6	611100	HARNESS, WIRE	1.4
7	6111F8	SUB HARNESS, BATTERY	0.6
9	616169	HORN	0.2
10	6111C5	RELAY, STARTER	0.3

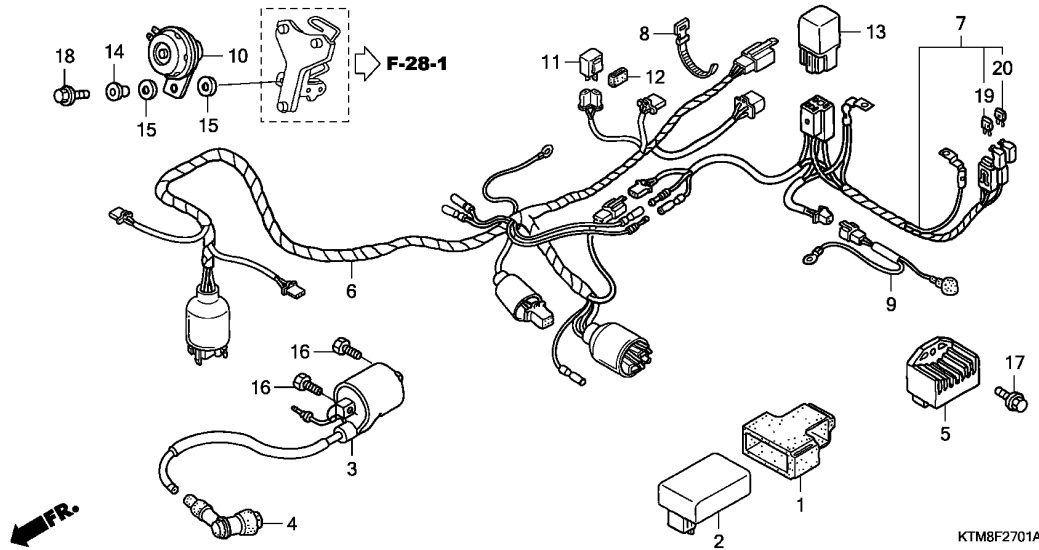
3

Ref. No.	Part No.	Description	Reqd. QTY					Serial No.	Parts catalogue code
			ANF125MR 5/M5	7/M7	8/M8	9/M9	AFP125 KCS/KS MCS A		
1	30401-KPH-650	CUSHION, C.D.I. UNIT	1	-	-	-	-		
2	30410-KPW-901	C.D.I. UNIT	1	-	-	-	-		
3	30500-KPH-650	COIL ASSY., IGNITION	1	-	-	-	-		
4	30700-KPH-900	CAP ASSY., NOISE SUPPRESSOR ..	1	-	-	-	-		
5	31600-KPW-901	RECTIFIER ASSY., REGULATOR ..	1	-	-	-	-		
6	32100-KPH-660	HARNESS, WIRE	1	-	-	-	-	-----	MA
	32100-KPH-650	1	-	-	-	-	-----	MMA
7	32103-KPH-911	SUB HARNESS, BATTERY	1	-	-	-	-	-----	MA
	32103-KPH-901	1	-	-	-	-	-----	MMA
8	32410-KPH-900	CABLE, STARTING MOTOR	1	-	-	-	-	-----	MMA
9	38110-KPH-651	HORN COMP.	1	-	-	-	-	-----	
10	38501-KPH-901	RELAY COMP., STARTER (OMRON)	1	-	-	-	-	-----	MMA
11	61105-KEV-900	COLLAR, HORN SETTING	1	-	-	-	-		
12	61106-KW6-840	RUBBER B, MOUNTING	2	-	-	-	-		
13	93301-05016-0A	BOLT, HEX., 5X16	2	-	-	-	-		
14	95701-06014-00	BOLT, FLANGE, 6X14	1	-	-	-	-		
15	95701-06016-00	BOLT, FLANGE, 6X16	1	-	-	-	-		
16	98200-41000	FUSE, MINI (10A)	1	-	-	-	-		
17	98200-41500	FUSE, MINI (15A)	1	-	-	-	-		

F-27-1

WIRE HARNESS(2)

L10



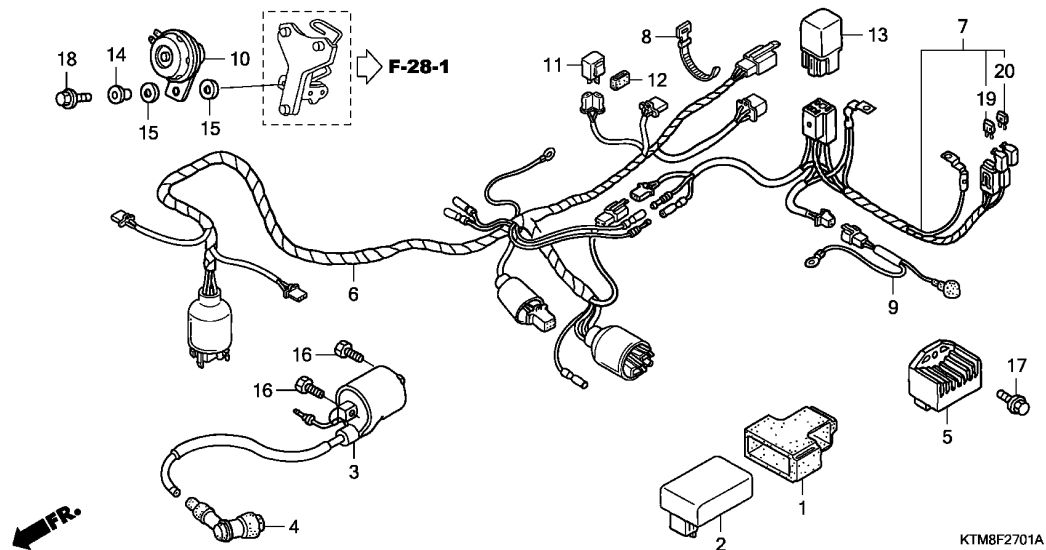
Ref. No.	L.O.N.	(Relative ref. Number) Description	F.R.T.
2	6141A1	IGNITION CONTROL MODULE	0.8
3	614105	COIL, IGNITION	0.8
5	6131B2	RECTIFIER, REGULATE	0.8
6	611100	HARNESS, WIRE	1.1
7	6111F8	SUB HARNESS, BATTERY	0.6
10	616169	HORN	0.2
11	6111C3	RELAY, WINKER	0.7
13	6111C5	RELAY, STARTER	0.3

Ref. No.	Part No.	Description	Reqd. QTY				Serial No.	Parts catalogue code
			ANF125MR 5/M5 7/M7 8/M8 9/M9	AFP125 KCS/KS MCS	A			
1	30401-KPH-650	CUSHION, C.D.I. UNIT	-	1	-	-	-----	MA,MMA
2	30410-KPW-901	C.D.I. UNIT	-	1	-	-	-----	MA,MMA
3	30500-KPH-650	COIL ASSY., IGNITION	-	1	-	-	-----	MA,MMA
4	30700-KPH-900 30700-KPH-901	CAP ASSY., NOISE SUPPRESSOR	-	1	-	-	-----	MA,MMA
5	31600-KTM-841	RECTIFIER COMP., REGULATOR ..	-	1	-	-	-----	MA,MMA
6	32100-KVL-920 32100-KTM-840	HARNESS, WIRE	-	1	1	-	-----	MA MMA
7	32103-KPH-911 32103-KPH-901	SUB HARNESS, BATTERY	-	1	1	-	-----	MA MMA
8	32161-KRS-600	BAND B1, WIRE	-	1	1	-	-----	MMA
9	32410-KPH-900	CABLE, STARTING MOTOR	-	1	1	-	-----	MMA
10	38110-KPH-700	HORN COMP.	-	1	-	-	-----	MA,MMA
11	38301-KK4-024	RELAY COMP., WINKER (MITSUBA)	-	1	-	-	-----	MA,MMA
12	38306-KK4-000	SUSPENSION, WINKER RELAY (MITSUBA)	-	1	-	-	-----	MA,MMA
13	38501-KPH-901	RELAY COMP., STARTER (OMRON)	-	1	1	-	-----	MMA

F-27-1

WIRE HARNESS(2)

L11



KTMBF2701A

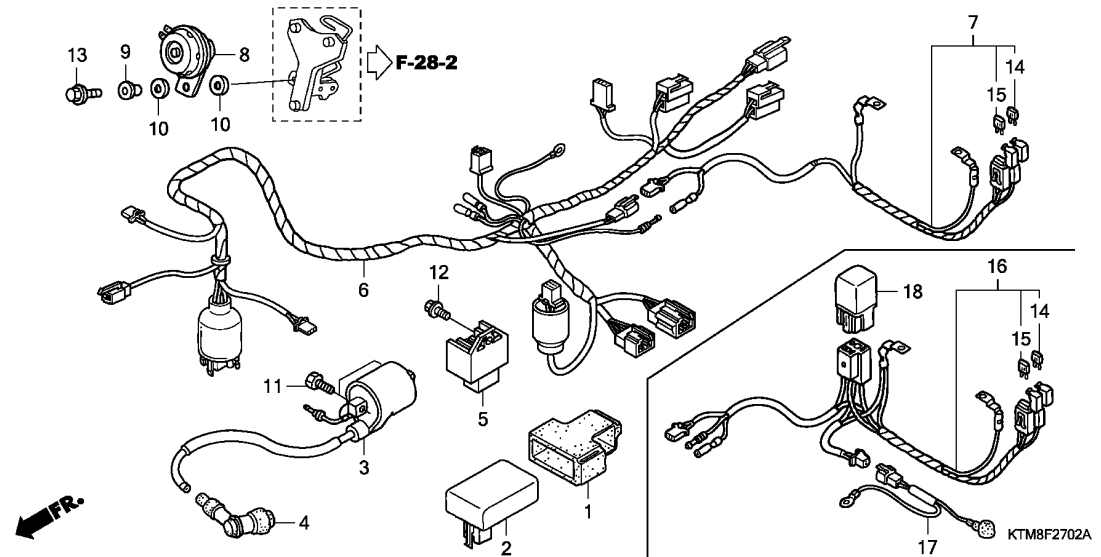
Ref. No.	Part No.	Description	Reqd. QTY					Serial No.	Parts catalogue code
			ANF125MR 5/M5	7/M7	8/M8	9/M9	AFP125 KCS/KS MCS A		
14	61105-KEV-900	COLLAR, HORN SETTING	-	1	-	1	-		
15	61106-KW6-840	RUBBER B, MOUNTING	-	2	-	2	-	-----	MA,MMA
16	93301-05016-0A	BOLT, HEX., 5X16	-	2	-	2	-	-----	MA,MMA
17	95701-06014-00	BOLT, FLANGE, 6X14	-	1	-	1	-	-----	MA,MMA
18	95701-06016-00	BOLT, FLANGE, 6X16	-	1	-	1	-	-----	MA,MMA
19	98200-41000	FUSE, MINI (10A)	-	1	-	1	-	-----	MA,MMA
20	98200-41500	FUSE, MINI (15A)	-	1	-	1	-	-----	MA,MMA

3

F-27-2

WIRE HARNESS(3)

L12



Ref. No.	L.O.N.	(Relative ref. Number) Description	F.R.T.
2	6141A1	IGNITION CONTROL MODULE	0.6
3	614105	COIL, IGNITION	0.6
5	6131B2	RECTIFIER, REGULATE	0.6
6	611100	HARNESS, WIRE	1.2
7	6111F8	SUB HARNESS, BATTERY	0.6
8	616169	HORN	0.2

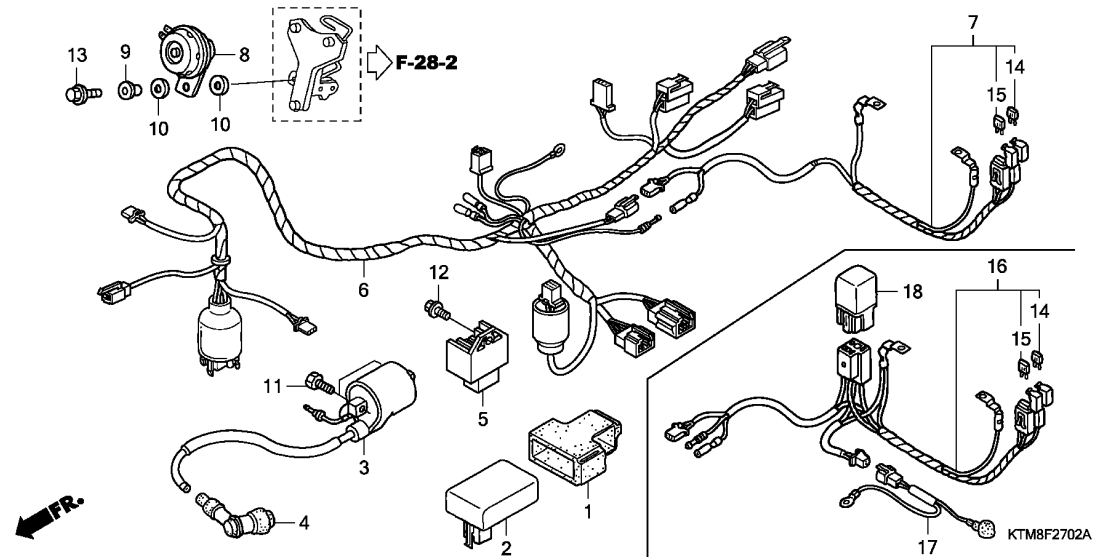
Ref. No.	Part No.	Description	Reqd. QTY					Serial No.	Parts catalogue code
			ANF125MR 5/M5	7/M7	8/M8	9/M9	AFP125 KCS/KS MCS A		
1	30401-KPH-650	CUSHION, C.D.I. UNIT	-	-	1	-	-	-----	2MA
2	30410-KPY-711	C.D.I. UNIT	-	-	1	-	-	-----	2MA
3	30500-KVL-T10	COIL ASSY., IGNITION	-	-	1	-	-	-----	2MA
4	30700-KPH-901	CAP ASSY., NOISE SUPPRESSOR ..	-	-	1	-	-	-----	2MA
5	31600-KGH-731	RECTIFIER COMP., REGULATE ...	-	-	1	-	-	-----	2MA
6	32100-KVL-T10	HARNESS, WIRE	-	-	1	-	-	-----	2MA
	32100-KYL-730	-	-	-	-	1	-----	KCSMA,KSMA
	32100-KYL-770	-	-	-	-	1	-----	MCSMA
7	32103-KVL-T10	SUB HARNESS, BATTERY	-	-	1	-	-	-----	KCSMA,KSMA,2MA
8	38110-KPH-651	HORN COMP.	-	-	1	-	-	-----	2MA
9	61105-KEV-900	COLLAR, HORN SETTING	-	-	1	-	-	-----	2MA
10	61106-KW6-840	RUBBER B, MOUNTING	-	-	2	-	-	-----	2MA
			-	-	-	-	2		
11	93301-05016-0A	BOLT, HEX., 5X16	-	-	2	-	-	-----	2MA
12	95701-06014-00	BOLT, FLANGE, 6X14	-	-	1	-	-	-----	2MA
13	95701-06016-00	BOLT, FLANGE, 6X16	-	-	1	-	-	-----	2MA
			-	-	-	-	1		

3

F-27-2

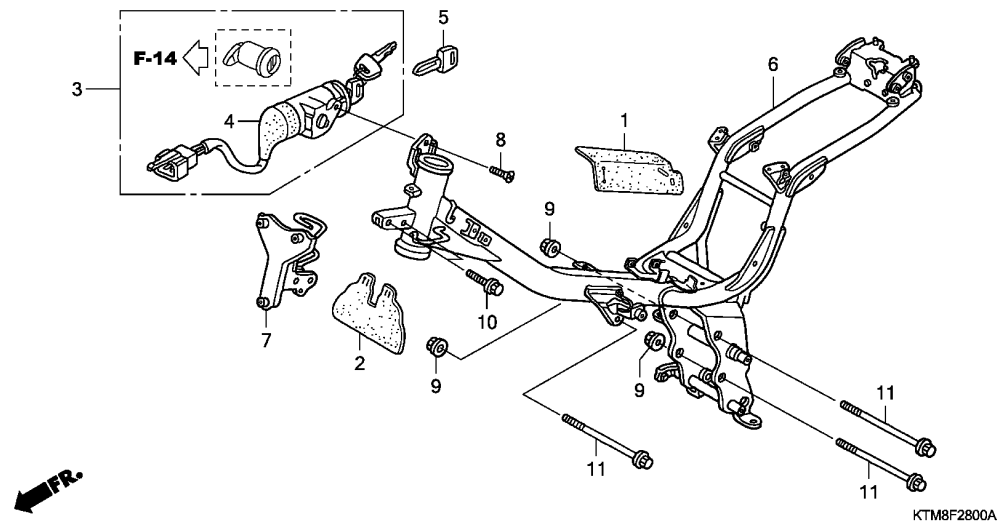
WIRE HARNESS(3)

L13



Ref. No.	Part No.	Description	Reqd. QTY					Serial No.	Parts catalogue code
			ANF125MR				AFP125		
			5/M5	7/M7	8/M8	9/M9	KCS/KS		
14	98200-41000	FUSE, MINI (10A)	-	-	1	-	-	-----	2MA
15	98200-41500	FUSE, MINI (15A)	-	-	1	-	-	-----	2MA
16	32103-KVL-T00	SUB HARNESS, BATTERY	-	-	-	-	1	-----	MCSMA
17	32410-KPH-900	CABLE, STARTING MOTOR	-	-	-	-	1	-----	MCSMA
18	38501-KPH-901	RELAY COMP., STARTER (OMRON)	-	-	-	-	1	-----	MCSMA

3



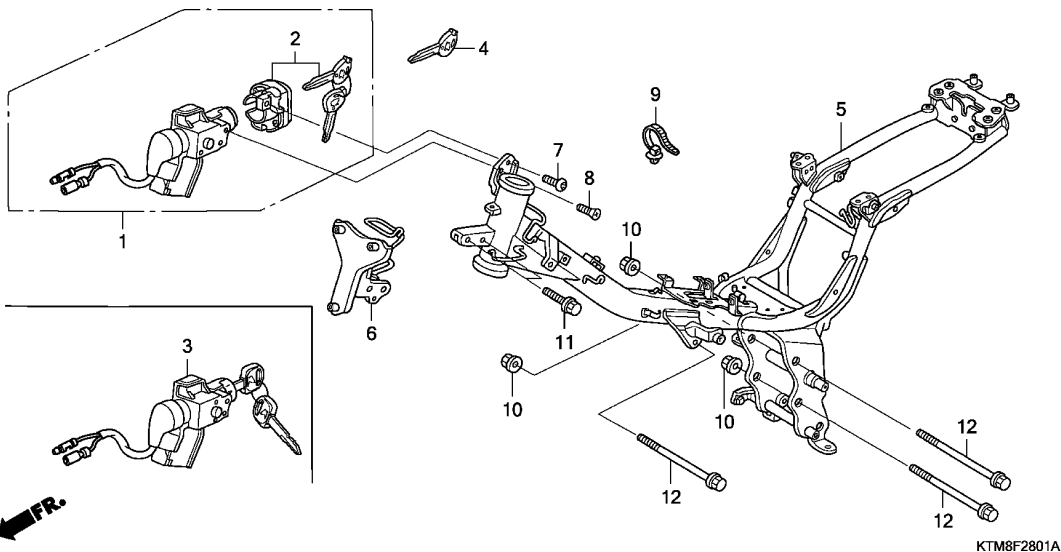
Ref. No.	L.O.N.	(Relative ref. Number) Description	F.R.T.
3	6151A1	KEY SET	0.9
4	615145	SWITCH, COMBINATION & LOCK ...	0.6
6	410100	BODY, FRAME	5.0
.INCLUDES: Engine removal and installation			
7	411105	STAY, FRONT COVER	0.3

Ref. No.	Part No.	Description	Reqd. QTY					Serial No.	Parts catalogue code
			ANF125MR 5/M5	7/M7	8/M8	9/M9	AFP125 KCS/KS MCS A		
1	16980-KPH-650	RUBBER, IGNITION COIL PROTECTOR	1	-	-	-	-		
2	17270-KPH-900	RUBBER, AIR CLEANER WATER GUARD	1	-	-	-	-		
3	35010-KPH-900	KEY SET	1	-	-	-	-		
4	35100-KPH-901	SWITCH ASSY., COMBINATION & LOCK	1	-	-	-	-		
5	35121-KV8-680	KEY, BLANK (TYPE 1) (KEY NO. AXX / BXX)	(1)	-	-	-	-		
	35122-KV8-680	KEY, BLANK (TYPE 2) (KEY NO. CXX / DXX)	(1)	-	-	-	-		
6	50100-KTM-880	BODY COMP., FRAME	1	-	-	-	-		
7	64221-KPH-950	STAY, FR. TOP COVER	1	-	-	-	-		
8	90164-028-000	SCREW, U-LOCK FLAT, 6X12	2	-	-	-	-		
9	94050-10080	NUT, FLANGE, 10MM	3	-	-	-	-		
10	95701-08032-00	BOLT, FLANGE, 8X32	2	-	-	-	-		
11	95801-10110-08	BOLT, FLANGE, 10X110	3	-	-	-	-		

F-28-1

FRAME BODY(2)

L15



Ref. No.	L.O.N.	(Relative ref. Number) Description	F.R.T.
1	6151A1	KEY SET	0.7
2	6151A2	KEY, SHUTTER	0.7
		.EXCLUDES: Key cutting	
3	615145	SWITCH, COMBINATION & LOCK ...	0.7
5	4101Y6	BODY, FRAME(A)	5.2
		.INCLUDES: Engine removal and installation	
6	411105	STAY, FRONT COVER	0.3

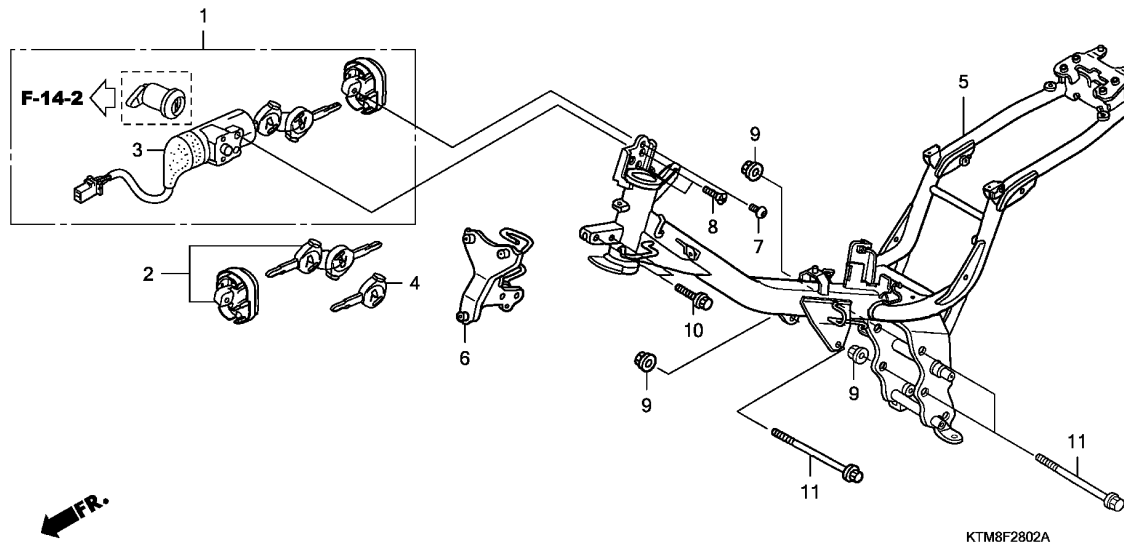
3

Ref. No.	Part No.	Description	Reqd. QTY				Serial No.	Parts catalogue code
			ANF125MR 5/M5	7/M7	8/M8	9/M9		
1	35010-KTM-950	KEY SET	-	1	-	1	-	
2	35011-KPH-700	SHUTTER SET, KEY	-	-	1	-	-	MA,MMA
		(7KEY TOP REORDER)	-	(1)	-	(1)	-	
3	35100-KTM-951	SWITCH ASSY., COMBINATION & LOCK	-	-	(1)	-	-	MA,MMA
4	35121-KPH-700	KEY, BLANK	-	-	1	-	-	MA,MMA
		(70KEYTOP2REORDER)	-	(1)	-	(1)	-	
5	50100-KVL-910	BODY COMP., FRAME	-	1	-	1	-	MA,MMA
			-	-	1	-	-	MA,MMA
6	64221-KPH-700	STAY, FR. TOP COVER	-	1	-	1	-	MA,MMA
			-	-	1	-	-	MA,MMA
7	90106-KPH-690	BOLT, SOCKET, 6X10	-	1	-	1	-	MA,MMA
8	90164-028-000	SCREW, U-LOCK FLAT, 6X12	-	2	-	2	-	MA,MMA
			-	-	2	-	-	MA,MMA
9	91540-KPH-901	CLIP, HARNESS BAND	-	1	-	1	-	MA,MMA
			-	-	1	-	-	MA,MMA
10	94050-10080	NUT, FLANGE, 10MM	-	3	-	3	-	MA,MMA
			-	-	3	-	-	MA,MMA
11	95701-08032-00	BOLT, FLANGE, 8X32	-	2	-	2	-	MA,MMA
			-	-	2	-	-	MA,MMA
12	95801-10110-08	BOLT, FLANGE, 10X110	-	3	-	3	-	MA,MMA
			-	-	3	-	-	MA,MMA

F-28-2

FRAME BODY(3)

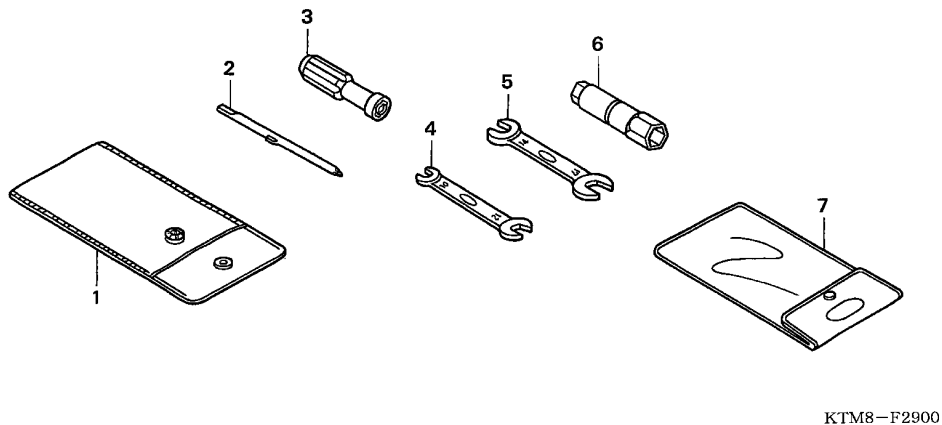
L16



Ref. No.	L.O.N.	(Relative ref. Number) Description	F.R.T.
1	6151D2	KEY SET(A)	1.1
2	6151A2	KEY, SHUTTER	0.7
		.EXCLUDES: Key cutting	
3	615145	SWITCH, COMBINATION & LOCK ...	0.7
5	4101BG	BODY, FRAME(B)	4.9
		.INCLUDES: Engine removal and installation	
6	411105	STAY, FRONT COVER	0.3

Ref. No.	Part No.	Description	Reqd. QTY					Serial No.	Parts catalogue code
			ANF125MR 5/M5	7/M7	8/M8	9/M9	AFP125 KCS/KS MCS A		
1	35010-KVL-T00	KEY SET	-	-	1	-	-	-----	2MA
2	35011-KVB-900	SHUTTER SET, KEY	-	-	(1)	-	-	-----	2MA
		(9KEY TOP REORDER)	-	-	-	-	(1)	-----	
3	35100-KVB-901	SWITCH ASSY., COMBINATION & LOCK	-	-	1	-	-	-----	2MA
4	35121-KVB-900	KEY, BLANK	-	-	-	-	1	-----	
		(90KEYTOP2REORDER)	-	-	(1)	-	-	-----	2MA
5	50100-KVL-M20 50100-KYL-730	BODY COMP., FRAME	-	-	1	-	-	-----	2MA
6	64221-KVL-T00 64221-KYL-730	STAY, FR. TOP COVER	-	-	1	-	-	-----	2MA
7	90106-KPH-690	BOLT, SOCKET, 6X10	-	-	1	-	-	-----	2MA
8	90164-028-000	SCREW, U-LOCK FLAT, 6X12	-	-	2	-	-	-----	2MA
9	94050-10080	NUT, FLANGE, 10MM	-	-	3	-	-	-----	2MA
10	95701-08032-00	BOLT, FLANGE, 8X32	-	-	2	-	-	-----	2MA
11	95801-10110-08	BOLT, FLANGE, 10X110	-	-	3	-	-	-----	2MA

3



KTM8-F2900

Ref. No. L.O.N. (Relative ref. Number) Description F.R.T.

NO INFORMATION

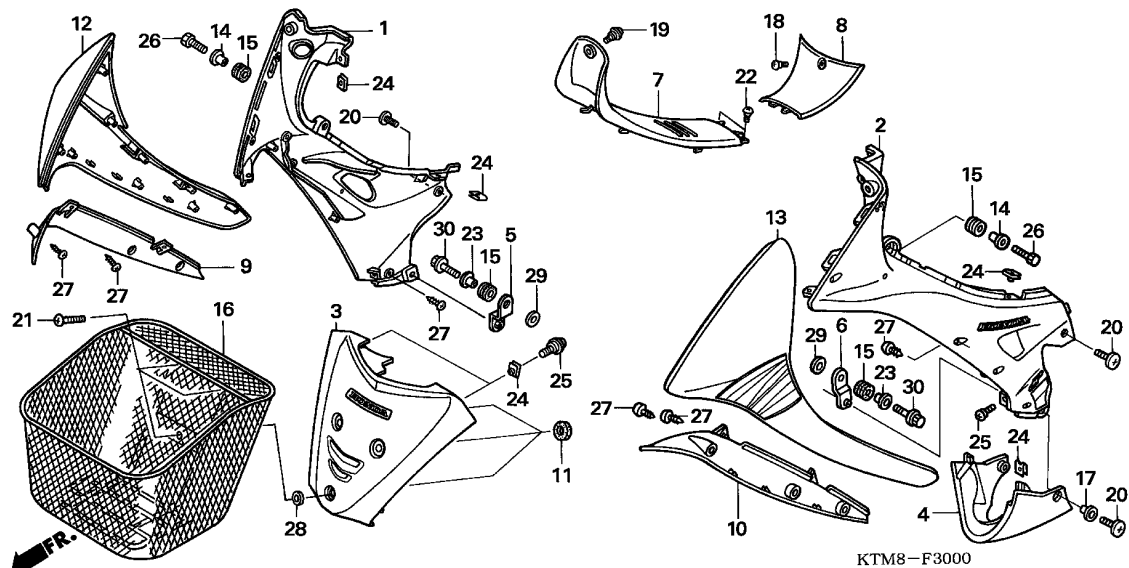
3

Ref. No.	Part No.	Description	Reqd. QTY					Serial No.	Parts catalogue code
			ANF125MR				AFP125		
			5/M5	7/M7	8/M8	9/M9	A		
1	83642-171-000	BAG, OWNERS MANUAL	1	1	1	1	1		
2	89102-538-000	DRIVER, SCREW (NO.2 + -)	1	1	1	1	1		
3	89103-538-000	GRIP	1	1	1	1	1		
4	89211-KGH-900	SPANNER, 10X12	1	1	1	1	1		
5	89212-KGH-900	SPANNER, 14X17	1	1	1	1	1		
6	89216-KPH-900	WRENCH, SPARK PLUG	1	1	1	1	1		
7	89219-KGH-900	BAG, TOOL, 160MM	1	1	1	1	1		

F-30

MAIN PIPE COVER/LEG SHIELD(1)

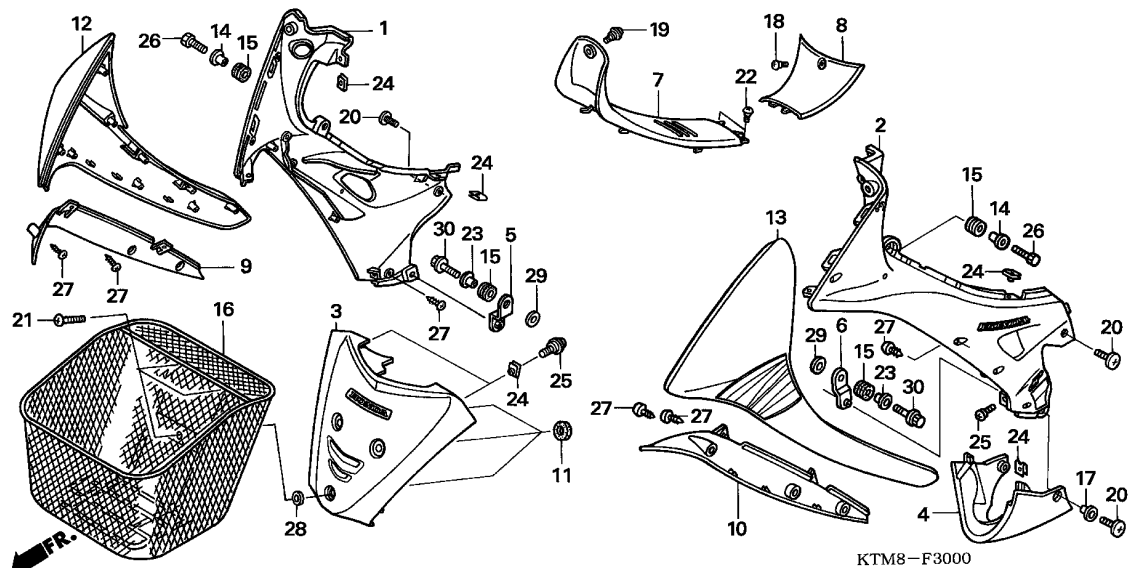
M 2



Ref. No.	L.O.N.	(Relative ref. Number) Description	F.R.T.
1	4131S9	COVER, MAIN PIPE SIDE :RIGHT	0.4
	4131T0	COVER, MAIN PIPE SIDE :BOTH	0.6
2	4131S8	COVER, MAIN PIPE SIDE :LEFT	0.4
3	413122	COVER, FRONT CENTER	0.1
4	4131B4	COVER, UNDER	0.1
7	4131T1	COVER, MAIN PIPE UPPER	0.1
8	4131R6	COVER, BODY :CENTER	0.1
9	4131T7	COVER, LEG SHIELD INNER :RIGHT	0.4
	4131T8	COVER, LEG SHIELD INNER :BOTH	0.6
10	4131T6	COVER, LEG SHIELD INNER :LEFT	0.4
12	4131S6	LEGSHIELD :RIGHT	0.4
	4131S7	LEGSHIELD :BOTH	0.6
13	4131S5	LEGSHIELD :LEFT	0.4
16	4121K6	BASKET, FRONT	0.1

Ref. No.	Part No.	Description	Reqd. QTY					Serial No.	Parts catalogue code
			ANF125MR 5/M5	7/M7	8/M8	9/M9	AFP125 KCS/KS MCS A		
1	64200-KTM-890ZA	COVER SET, R. MAIN PIPE SIDE *TYPE1*(WL)	1	-	-	-	-	MA	
	64200-KTM-890ZB	COVER SET, R. MAIN PIPE SIDE *TYPE2*(WL)	1	-	-	-	-	MA	
	64200-KTM-890ZC	COVER SET, R. MAIN PIPE SIDE *TYPE3*(WL)	1	-	-	-	-	MA	
	64200-KTM-890ZD	COVER SET, R. MAIN PIPE SIDE *TYPE4*(WL)	1	-	-	-	-	MA	
	64200-KTM-880ZA	COVER SET, R. MAIN PIPE SIDE *TYPE1*(WL)	1	-	-	-	-	MMA	
	64200-KTM-880ZB	COVER SET, R. MAIN PIPE SIDE *TYPE2*(WL)	1	-	-	-	-	MMA	
	64200-KTM-880ZC	COVER SET, R. MAIN PIPE SIDE *TYPE3*(WL)	1	-	-	-	-	MMA	
	64200-KTM-880ZD	COVER SET, R. MAIN PIPE SIDE *TYPE4*(WL)	1	-	-	-	-	MMA	
2	64250-KTM-890ZA	COVER SET, L. MAIN PIPE SIDE *TYPE1*(WL)	1	-	-	-	-	MA	
	64250-KTM-890ZB	COVER SET, L. MAIN PIPE SIDE *TYPE2*(WL)	1	-	-	-	-	MA	
	64250-KTM-890ZC	COVER SET, L. MAIN PIPE SIDE *TYPE3*(WL)	1	-	-	-	-	MA	
	64250-KTM-890ZD	COVER SET, L. MAIN PIPE SIDE *TYPE4*(WL)	1	-	-	-	-	MA	
	64250-KTM-880ZA	COVER SET, L. MAIN PIPE SIDE *TYPE1*(WL)	1	-	-	-	-	MMA	
	64250-KTM-880ZB	COVER SET, L. MAIN PIPE SIDE *TYPE2*(WL)	1	-	-	-	-	MMA	

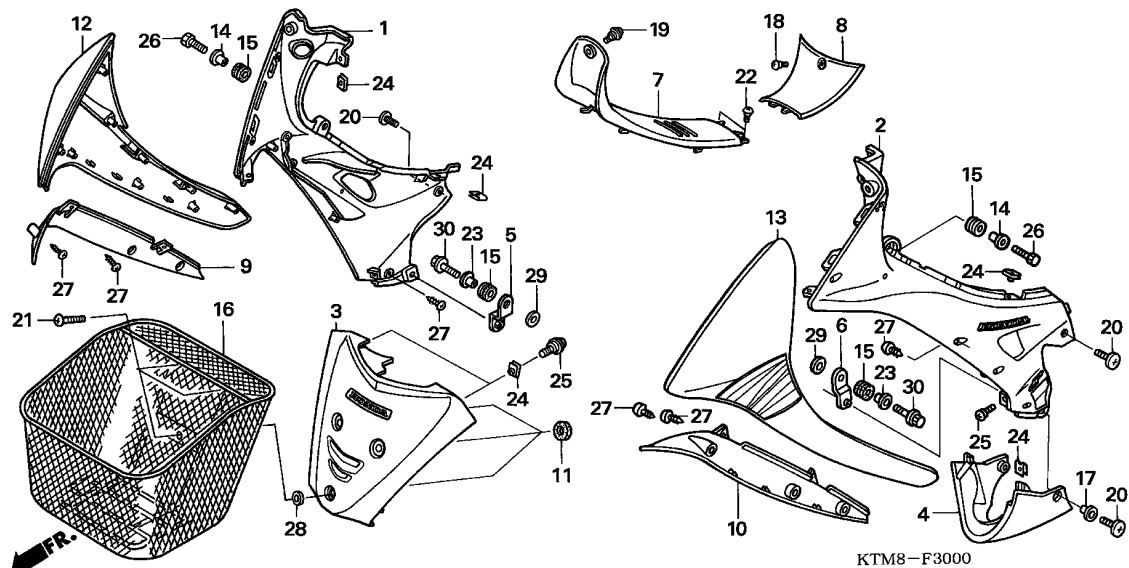
3



KTM8-F3000

3

Ref. No.	Part No.	Description	Reqd. QTY					Serial No.	Parts catalogue code
			ANF125MR 5/M5	7/M7	8/M8	9/M9	AFP125 KCS/KS MCS A		
(2)	64250-KTM-880ZC	COVER SET, L. MAIN PIPE SIDE *TYPE3*(WL)	1	-	-	-	-	----- MMA	
	64250-KTM-880ZD	COVER SET, L. MAIN PIPE SIDE *TYPE4*(WL)	1	-	-	-	-	----- MMA	
3	64300-KTM-880ZA	COVER SET, FR. TOP (WL) *PB325C*.CANDY LIGHTNING BLUE	1	-	-	-	-		
	64300-KTM-880ZB	*RP166M* KELLY MAGENTA METALLIC	1	-	-	-	-		
	64300-KTM-880ZC	*R264C*.....CANDY LUCID RED	1	-	-	-	-		
	64300-KTM-880ZD	*YR159M* MAG. TECH GOLD METALLIC	1	-	-	-	-		
4	64310-KPH-900YD	COVER, UNDER *NH133*.....GULL WHITE	1	-	-	-	-		
	64310-KPH-900ZJ	*PB327M*...ONYX BLUE METALLIC	1	-	-	-	-		
5	64311-KPH-900	STAY, R. UNDER COWL	1	-	-	-	-		
6	64312-KPH-900	STAY, L. UNDER COWL	1	-	-	-	-		
7	64320-KPH-900	COVER, MAIN PIPE UPPER	1	-	-	-	-		
8	64325-KPH-650	COVER, CENTER	1	-	-	-	-		
9	64435-KPH-900	COVER, R. LEG SHIELD INNER ..	1	-	-	-	-		
10	64445-KPH-900	COVER, L. LEG SHIELD INNER ..	1	-	-	-	-		
11	64510-KEV-900	CUSHION, FR. TOP COVER	3	-	-	-	-		
12	64700-KTM-880ZA	SHIELD SET, R. LEG *TYPE1*(WL)	1	-	-	-	-		
	64700-KTM-880ZB	SHIELD SET, R. LEG *TYPE2*(WL)	1	-	-	-	-		
	64700-KTM-880ZC	SHIELD SET, R. LEG *TYPE3*(WL)	1	-	-	-	-		
	64700-KTM-880ZD	SHIELD SET, R. LEG *TYPE4*(WL)	1	-	-	-	-		
13	64750-KTM-880ZA	SHIELD SET, L. LEG *TYPE1*(WL)	1	-	-	-	-		

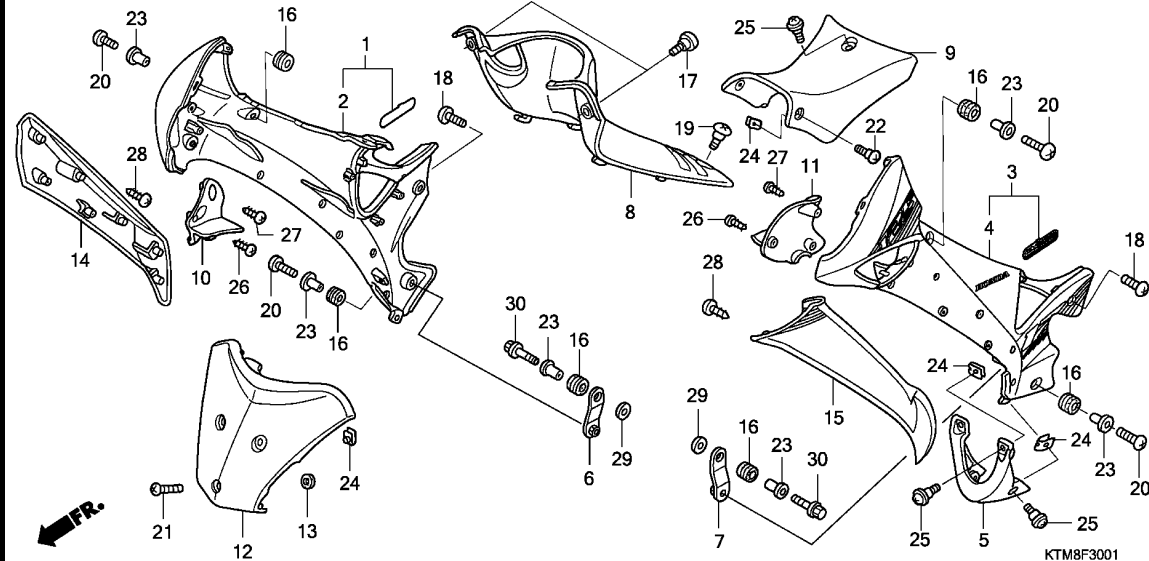


Ref. No.	Part No.	Description	Reqd. QTY					Serial No.	Parts catalogue code
			ANF125MR 5/M5	7/M7	8/M8	9/M9	AFP125 KCS/KS MCS A		
13)	64750-KTM-880ZB	SHIELD SET, L. LEG *TYPE2*(WL)	1	-	-	-	-		
	64750-KTM-880ZC	SHIELD SET, L. LEG *TYPE3*(WL)	1	-	-	-	-		
	64750-KTM-880ZD	SHIELD SET, L. LEG *TYPE4*(WL)	1	-	-	-	-		
	14	77208-KPW-900 COLLAR, SEAT MOUNTING	2	-	-	-	-		
	15	77228-GBG-850 RUBBER, SEAT LOCK	4	-	-	-	-		
	16	81311-KPH-900 BASKET, FR.	(1)	-	-	-	-		
	17	81313-KPH-900 COLLAR, UNDER COVER	2	-	-	-	-		
	18	90103-KPH-900 SCREW, SPECIAL, 5MM	1	-	-	-	-		
	19	90104-KPH-900 SCREW, SPECIAL, 5MM	1	-	-	-	-		
	20	90107-KBP-900 BOLT, COWL SETTING	4	-	-	-	-		
	21	90114-GB4-810 SCREW, 6X25	3	-	-	-	-		
	22	90115-KW7-900 SCREW, VISOR SPECIAL SETTING	2	-	-	-	-		
	23	90502-GG2-000 COLLAR, RR. FENDER	2	-	-	-	-		
	24	90677-KAN-T00 NUT, CLIP, 5MM	7	-	-	-	-		
	25	91509-GE2-760 SCREW, PAN, 5X11.5	4	-	-	-	-		
	26	92101-06020-0A BOLT, HEX., 6X20	2	-	-	-	-		
	27	93903-25210 SCREW, TAPPING, 5X12	24	-	-	-	-		
	28	94101-06700 WASHER, PLAIN, 6MM	(3)	-	-	-	-		
	29	94103-06000 WASHER, PLAIN, 6MM	2	-	-	-	-		
	30	95701-06025-00 BOLT, FLANGE, 6X25	2	-	-	-	-		

F-30-1

MAIN PIPE COVER/LEG SHIELD(2)

M 5



Ref. No.	L.O.N.	(Relative ref. Number) Description	F.R.T.
1	(2)		
4131S9		COVER, MAIN PIPE SIDE :RIGHT	0.5
4131T0		COVER, MAIN PIPE SIDE :BOTH	0.8
3	(4)		
4131S8		COVER, MAIN PIPE SIDE :LEFT	0.5
5	4131B4	COVER, UNDER	0.1
8	4131T1	COVER, MAIN PIPE UPPER	0.1
9	4131Z7	COVER, CENTER	0.1
12	4131Z2	COVER, FRONT CENTER	0.1
14	4131S6	LEGSHIELD :RIGHT	0.5
	4131S7	LEGSHIELD :BOTH	0.8
15	4131S5	LEGSHIELD :LEFT	0.5

3

Ref. No.	Part No.	Description	Reqd. QTY					Serial No.	Parts catalogue code
			ANF125MR 5/M5	7/M7	8/M8	9/M9	AFP125 KCS/KS MCS A		
1	64200-KVL-910ZA	COVER SET, R. MAIN PIPE SIDE *TYPE1*(WL)	-	1	-	-	-	-----	MMA
	64200-KVL-910ZB	COVER SET, R. MAIN PIPE SIDE *TYPE2*(WL)	-	1	-	-	-	-----	MMA
	64200-KVL-910ZC	COVER SET, R. MAIN PIPE SIDE *TYPE3*(WL)	-	1	-	-	-	-----	MMA
	64200-KVL-910ZD	COVER SET, R. MAIN PIPE SIDE *TYPE4*(WL)	-	1	-	-	-	-----	MMA
	64200-KVL-M00ZA	COVER SET, R. MAIN PIPE SIDE *TYPE1*(WL)	-	-	1	-	-	-----	MMA
	64200-KVL-M00ZB	COVER SET, R. MAIN PIPE SIDE *TYPE2*(WL)	-	-	1	-	-	-----	MMA
	64200-KVL-M00ZC	COVER SET, R. MAIN PIPE SIDE *TYPE3*(WL)	-	-	1	-	-	-----	MMA
	64200-KVL-M30ZA	COVER SET, R. MAIN PIPE SIDE *TYPE1*(WL)	-	-	-	1	-	-----	MMA
	64200-KVL-M30ZB	COVER SET, R. MAIN PIPE SIDE *TYPE2*(WL)	-	-	-	1	-	-----	MMA
	64200-KVL-M30ZC	COVER SET, R. MAIN PIPE SIDE *TYPE3*(WL)	-	-	-	1	-	-----	MMA
2	64200-KVL-920ZA	COVER SET, R. MAIN PIPE SIDE *TYPE1*(WL)	-	1	-	-	-	-----	MA
	64200-KVL-920ZB	COVER SET, R. MAIN PIPE SIDE *TYPE2*(WL)	-	1	-	-	-	-----	MA
	64200-KVL-920ZC	COVER SET, R. MAIN PIPE SIDE *TYPE3*(WL)	-	1	-	-	-	-----	MA
	64200-KVL-920ZD	COVER SET, R. MAIN PIPE SIDE *TYPE4*(WL)	-	1	-	-	-	-----	MA

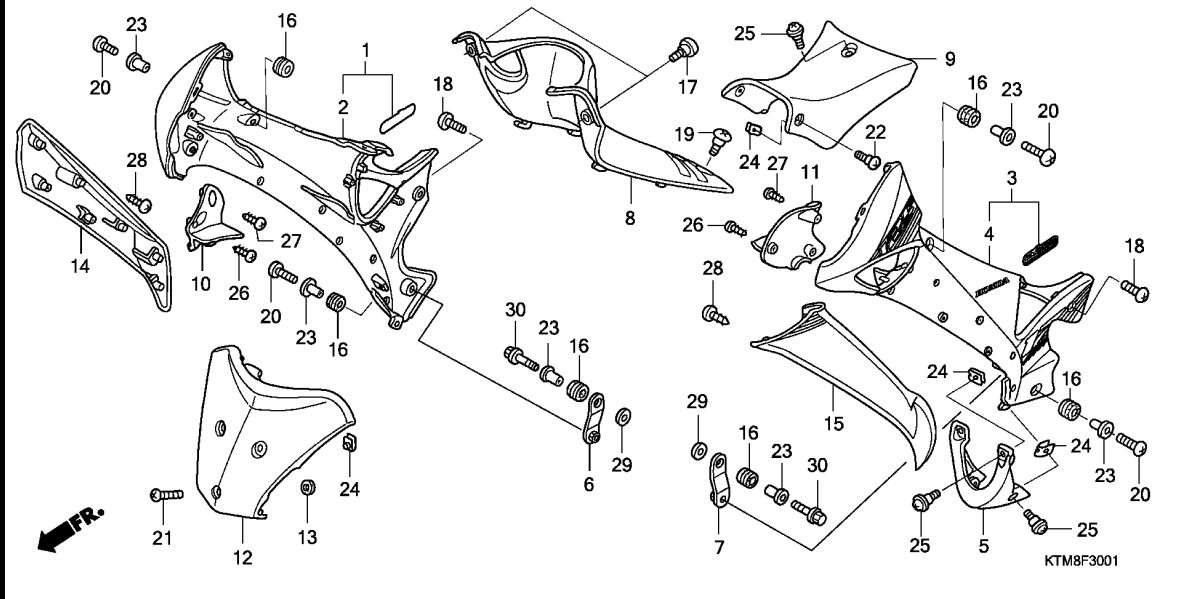
Ref. No.	Part No.	Description	Reqd. QTY					Serial No.	Parts catalogue code
			ANF125MR 5/M5	7/M7	8/M8	9/M9	AFP125 KCS/KS MCS A		
(2)	64200-KVL-M10ZA	COVER SET, R. MAIN PIPE SIDE	-	-	1	-	-	-----	MA
		TYPE1(WL)	-	-	1	-	-	-----	MA
	64200-KVL-M10ZB	COVER SET, R. MAIN PIPE SIDE	-	-	1	-	-	-----	MA
		TYPE2(WL)	-	-	1	-	-	-----	MA
	64200-KVL-M10ZC	COVER SET, R. MAIN PIPE SIDE	-	-	1	-	-	-----	MA
		TYPE3(WL)	-	-	1	-	-	-----	MA
	64200-KVL-M40ZA	COVER SET, R. MAIN PIPE SIDE	-	-	-	1	-	-----	MA
		TYPE1(WL)	-	-	-	1	-	-----	MA
	64200-KVL-M40ZB	COVER SET, R. MAIN PIPE SIDE	-	-	-	1	-	-----	MA
		TYPE2(WL)	-	-	-	1	-	-----	MA
	64200-KVL-M40ZC	COVER SET, R. MAIN PIPE SIDE	-	-	-	1	-	-----	MA
		TYPE3(WL)	-	-	-	1	-	-----	MA
3	64250-KVL-910ZA	COVER SET, L. MAIN PIPE SIDE	-	1	-	-	-	-----	MMA
		TYPE1(WL)	-	1	-	-	-	-----	MMA
	64250-KVL-910ZB	COVER SET, L. MAIN PIPE SIDE	-	1	-	-	-	-----	MMA
		TYPE2(WL)	-	1	-	-	-	-----	MMA
	64250-KVL-910ZC	COVER SET, L. MAIN PIPE SIDE	-	1	-	-	-	-----	MMA
		TYPE3(WL)	-	1	-	-	-	-----	MMA
	64250-KVL-910ZD	COVER SET, L. MAIN PIPE SIDE	-	1	-	-	-	-----	MMA
		TYPE4(WL)	-	1	-	-	-	-----	MMA
	64250-KVL-M00ZA	COVER SET, L. MAIN PIPE SIDE	-	-	1	-	-	-----	MMA
		TYPE1(WL)	-	-	1	-	-	-----	MMA
	64250-KVL-M00ZB	COVER SET, L. MAIN PIPE SIDE	-	-	1	-	-	-----	MMA
		TYPE2(WL)	-	-	1	-	-	-----	MMA
	64250-KVL-M00ZC	COVER SET, L. MAIN PIPE SIDE	-	-	1	-	-	-----	MMA
		TYPE3(WL)	-	-	1	-	-	-----	MMA
	64250-KVL-M30ZA	COVER SET, L. MAIN PIPE SIDE	-	-	-	1	-	-----	MMA
		TYPE1(WL)	-	-	-	1	-	-----	MMA
	64250-KVL-M30ZB	COVER SET, L. MAIN PIPE SIDE	-	-	-	1	-	-----	MMA
		TYPE2(WL)	-	-	-	1	-	-----	MMA
	64250-KVL-M30ZC	COVER SET, L. MAIN PIPE SIDE	-	-	-	1	-	-----	MMA
		TYPE3(WL)	-	-	-	1	-	-----	MMA
4	64250-KVL-920ZA	COVER SET, L. MAIN PIPE SIDE	-	1	-	-	-	-----	MA
		TYPE1(WL)	-	1	-	-	-	-----	MA
	64250-KVL-920ZB	COVER SET, L. MAIN PIPE SIDE	-	1	-	-	-	-----	MA
		TYPE2(WL)	-	1	-	-	-	-----	MA
	64250-KVL-920ZC	COVER SET, L. MAIN PIPE SIDE	-	1	-	-	-	-----	MA
		TYPE3(WL)	-	1	-	-	-	-----	MA
	64250-KVL-920ZD	COVER SET, L. MAIN PIPE SIDE	-	1	-	-	-	-----	MA
		TYPE4(WL)	-	1	-	-	-	-----	MA
	64250-KVL-M10ZA	COVER SET, L. MAIN PIPE SIDE	-	-	1	-	-	-----	MA
		TYPE1(WL)	-	-	1	-	-	-----	MA
	64250-KVL-M10ZB	COVER SET, L. MAIN PIPE SIDE	-	-	1	-	-	-----	MA
		TYPE2(WL)	-	-	1	-	-	-----	MA
	64250-KVL-M10ZC	COVER SET, L. MAIN PIPE SIDE	-	-	1	-	-	-----	MA
		TYPE3(WL)	-	-	1	-	-	-----	MA
	64250-KVL-M40ZA	COVER SET, L. MAIN PIPE SIDE	-	-	-	1	-	-----	MA
		TYPE1(WL)	-	-	-	1	-	-----	MA
	64250-KVL-M40ZB	COVER SET, L. MAIN PIPE SIDE	-	-	-	1	-	-----	MA
		TYPE2(WL)	-	-	-	1	-	-----	MA
	64250-KVL-M40ZC	COVER SET, L. MAIN PIPE SIDE	-	-	-	1	-	-----	MA
		TYPE3(WL)	-	-	-	1	-	-----	MA
5	64310-KPH-700ZC	COVER, UNDER	-	1	-	-	-	-----	
		*NH411M*FORCE SILVER METALLIC	-	1	-	-	-	-----	
	64310-KPH-700ZN	*NH1*.....BLACK	-	-	1	-	-	-----	MA,MMA
	64310-KPH-700YB	*NH284M*...EURO GRAY METALLIC	-	-	1	-	-	-----	MA,MMA



F-30-1

MAIN PIPE COVER/LEG SHIELD(2)

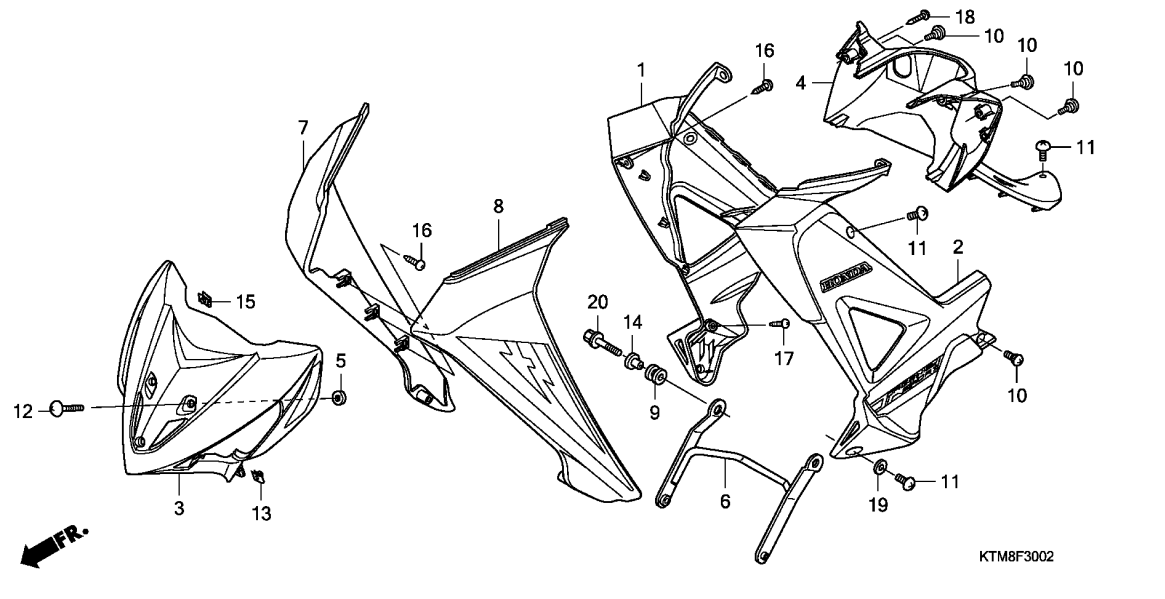
M 7



Ref. No.	Part No.	Description	Reqd. QTY					Serial No.	Parts catalogue code
			ANF125MR 5/M5	7/M7	8/M8	9/M9	AFP125 KCS/KS MCS A		
(5)	64310-KPH-700ZU	COVER, UNDER *NHA69P* PEARL MAGELLANIC BLACK	-	-	-	1	-		
6	64311-KTM-950	STAY, R. UNDER COWL	-	1	-	1	-	MA,MMA	
7	64312-KTM-950	STAY, L. UNDER COWL	-	1	-	1	-	MA,MMA	
8	64320-KPH-700	COVER, MAIN PIPE UPPER	-	1	-	1	-	MA,MMA	
9	64325-KPH-700	COVER, CENTER	-	1	-	1	-	MA,MMA	
10	64435-KPH-700	COVER, R. LEG SHIELD INNER ..	-	1	-	1	-	MA,MMA	
11	64445-KPH-700	COVER, L. LEG SHIELD INNER ..	-	1	-	1	-	MA,MMA	
12	64500-KPH-700ZL	COVER, FR. TOP *R310*.....GAYETY RED	-	-	1	-	-	MA,MMA	
	64500-KPH-700ZM	*B196M*..NIPPIC BLUE METALLIC	-	1	-	-	-		
	64500-KPH-700ZN	*G177M*..CYBER GREEN METALLIC	-	1	-	-	-		
	64500-KPH-700ZP	*NH284M*...EURO GRAY METALLIC	-	1	-	-	-		
	64500-KPH-700ZQ	*R218M*..RADIANT RED METALLIC	-	1	-	-	-		
	64500-KPH-700ZV	*NH341P*..PEARL FADELESS WHITE	-	-	1	-	-	MA,MMA	
	64500-KPH-700ZW	*NH1*.....BLACK	-	-	1	-	-	MA,MMA	
	64500-KPH-700YA	*NHA69P* PEARL MAGELLANIC BLACK	-	-	-	1	-		

Ref. No.	Part No.	Description	Reqd. QTY					Serial No.	Parts catalogue code
			ANF125MR 5/M5	7/M7	8/M8	9/M9	AFP125 KCS/KS MCS A		
12)	64500-KPH-700YB	COVER, FR. TOP *R339M*.EUPHORIA RED METALLIC	-	-	-	1	-		
13	64510-KEV-900	CUSHION, FR. TOP COVER	-	3	-	3	-	MA,MMA	
14	64700-KVL-910ZA	SHIELD SET, R. LEG *TYPE1*(WL)	-	1	-	-	-	MA,MMA	
	64700-KVL-M00ZA	-	1	-	-	-	MA,MMA	
	64700-KVL-M00ZB	SHIELD SET, R. LEG *TYPE2*(WL)	-	-	1	-	-	MA,MMA	
	64700-KVL-M00ZC	SHIELD SET, R. LEG *TYPE3*(WL)	-	-	1	-	-	MA,MMA	
	64700-KVL-M30ZA	SHIELD SET, R. LEG *TYPE1*(WL)	-	-	-	1	-		
	64700-KVL-M30ZB	SHIELD SET, R. LEG *TYPE2*(WL)	-	-	-	1	-		
	64700-KVL-M30ZC	SHIELD SET, R. LEG *TYPE3*(WL)	-	-	-	1	-		
15	64750-KVL-910ZA	SHIELD SET, L. LEG *TYPE1*(WL)	-	1	-	-	-		
	64750-KVL-M00ZA	-	-	1	-	-	MA,MMA	
	64750-KVL-M00ZB	SHIELD SET, L. LEG *TYPE2*(WL)	-	-	1	-	-	MA,MMA	
	64750-KVL-M00ZC	SHIELD SET, L. LEG *TYPE3*(WL)	-	-	1	-	-	MA,MMA	
	64750-KVL-M30ZA	SHIELD SET, L. LEG *TYPE1*(WL)	-	-	-	1	-		
	64750-KVL-M30ZB	SHIELD SET, L. LEG *TYPE2*(WL)	-	-	-	1	-		
	64750-KVL-M30ZC	SHIELD SET, L. LEG *TYPE3*(WL)	-	-	-	1	-		
16	77228-GBG-850	RUBBER, SEAT LOCK	-	6	-	6	-	MA,MMA	
17	90104-KPH-900	SCREW, SPECIAL, 5MM	-	2	-	2	-	MA,MMA	
18	90107-KBP-900	BOLT, COWL SETTING	-	2	-	2	-	MA,MMA	
19	90107-KGH-600	SCREW, 6X12	-	1	-	1	-	MA,MMA	
20	90107-KPH-700	BOLT, COWL SETTING	-	4	-	4	-	MA,MMA	
21	90107-KAN-900	BOLT, BODY COVER SETTING	-	3	-	3	-	MA,MMA	
22	90115-KW7-900	SCREW, VISOR SPECIAL SETTING	-	2	-	2	-	MA,MMA	
23	90522-KPH-700	COLLAR, SIDE COVER SETTING ..	-	6	-	6	-	MA,MMA	
24	90677-KAN-T00	NUT, CLIP, 5MM	-	8	-	8	-	MA,MMA	
25	91509-GE2-760	SCREW, PAN, 5X11.5	-	5	-	5	-	MA,MMA	
26	93903-24310	SCREW, TAPPING, 4X12	-	4	-	4	-	MA,MMA	
27	93903-24480	SCREW, TAPPING, 4X16	-	2	-	2	-	MA,MMA	
28	93903-25210	SCREW, TAPPING, 5X12	-	16	-	16	-	MA,MMA	
29	94103-06000	WASHER, PLAIN, 6MM	-	2	-	2	-	MA,MMA	
30	95701-06025-00	BOLT, FLANGE, 6X25	-	2	-	2	-	MA,MMA	





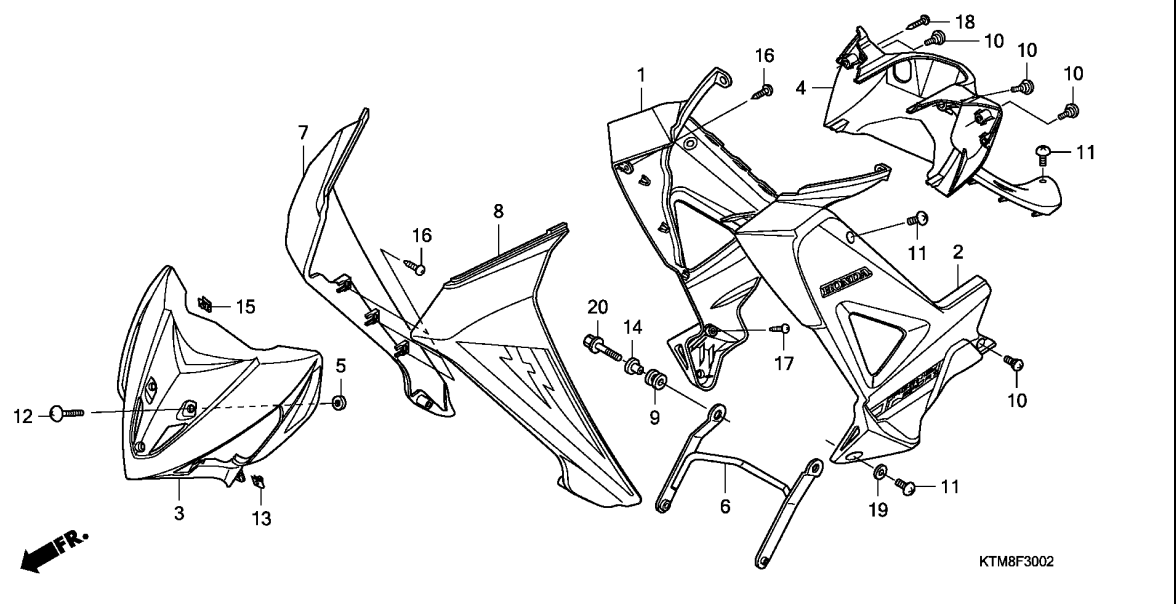
Ref. No.	L.O.N.	(Relative ref. Number) Description	F.R.T.
1	4131S9	COVER, MAIN PIPE SIDE :RIGHT	0.3
	4131T0	COVER, MAIN PIPE SIDE :BOTH	0.4
2	4131S8	COVER, MAIN PIPE SIDE :LEFT	0.3
3	4131CC	COVER, FRONT CENTER(A)	0.3
4	4131AE	COVER, MAIN PIPE UPPER(A)	0.2
7	4131Z9	LEGSHIELD(A) :RIGHT	0.3
	4131AA	LEGSHIELD(A) :BOTH	0.4
8	4131Z8	LEGSHIELD(A) :LEFT	0.3

3

Ref. No.	Part No.	Description	Reqd. QTY					Serial No.	Parts catalogue code
			ANF125MR 5/M5	7/M7	8/M8	9/M9	AFP125 KCS/KS MCS A		
1	64200-KVL-M20ZA	COVER SET, R. MAIN PIPE SIDE	-	-	1	-	-	-----	2MA
		TYPE1(WL)	-	-	1	-	-	-----	2MA
	64200-KVL-M20ZB	COVER SET, R. MAIN PIPE SIDE	-	-	1	-	-	-----	2MA
		TYPE2(WL)	-	-	1	-	-	-----	2MA
	64200-KVL-M20ZC	COVER SET, R. MAIN PIPE SIDE	-	-	1	-	-	-----	2MA
		TYPE3(WL)	-	-	1	-	-	-----	2MA
	64200-KYL-730ZA	COVER SET, R. MAIN PIPE SIDE (WL)	-	-	1	-	-	-----	2MA
		NHA69P	-	-	-	-	-	-----	
		PEARL MAGELLANIC BLACK	-	-	-	-	1	-----	KSMA
	64200-KYL-730ZB	*NH411M*FORCE SILVER METALLIC	-	-	-	-	1	-----	KCSMA,MCSMA
2	64250-KVL-M20ZA	COVER SET, L. MAIN PIPE SIDE	-	-	1	-	-	-----	2MA
		TYPE1(WL)	-	-	1	-	-	-----	2MA
	64250-KVL-M20ZB	COVER SET, L. MAIN PIPE SIDE	-	-	1	-	-	-----	2MA
		TYPE2(WL)	-	-	1	-	-	-----	2MA
	64250-KVL-M20ZC	COVER SET, L. MAIN PIPE SIDE	-	-	1	-	-	-----	2MA
		TYPE3(WL)	-	-	1	-	-	-----	2MA
	64250-KYL-730ZA	COVER SET, L. MAIN PIPE SIDE (WL)	-	-	1	-	-	-----	2MA
		NHA69P	-	-	-	-	-	-----	
		PEARL MAGELLANIC BLACK	-	-	-	-	1	-----	KSMA
	64250-KYL-730ZB	*NH411M*FORCE SILVER METALLIC	-	-	-	-	1	-----	KCSMA,MCSMA
3	64300-KVL-M20ZA	COVER SET, FR. TOP *TYPE1*(WL)	-	-	1	-	-	-----	2MA
	64300-KVL-M20ZB	COVER SET, FR. TOP *TYPE2*(WL)	-	-	1	-	-	-----	2MA
	64300-KVL-M20ZC	COVER SET, FR. TOP *TYPE3*(WL)	-	-	1	-	-	-----	2MA
	64300-KYL-730ZA	COVER SET, FR. TOP (WL)	-	-	1	-	-	-----	2MA
		*NH411M*FORCE SILVER METALLIC	-	-	-	-	1	-----	KSMA

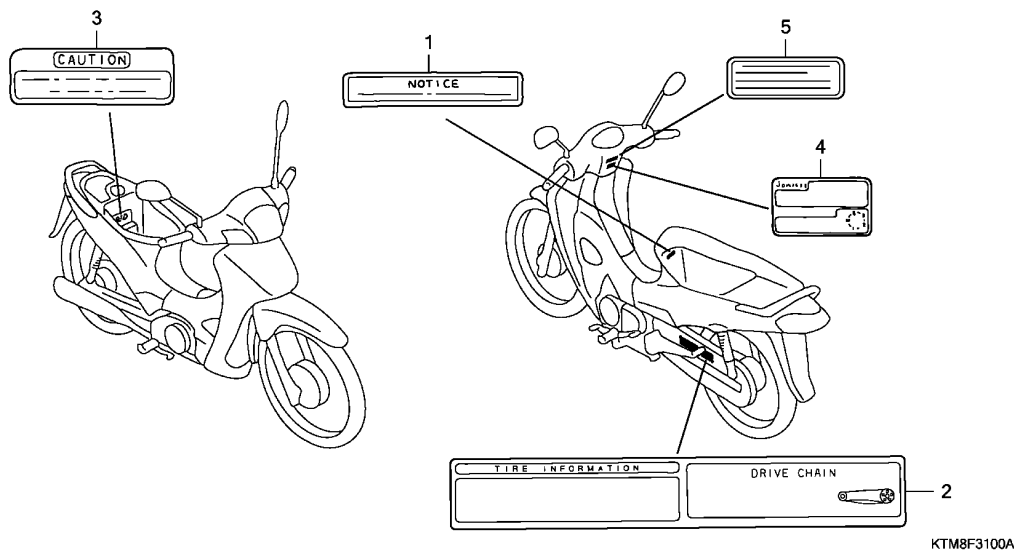
Ref. No.	Part No.	Description	Reqd. QTY					Serial No.	Parts catalogue code
			ANF125MR 5/M5 7/M7 8/M8 9/M9	AFP125 KCS/KS MCS A					
(3)	64300-KYL-730ZB	COVER SET, FR. TOP (WL) *NH411M 1*	-	-	-	-	1	-----	KCSMA,K SMA
	64300-KYL-730ZC	*NH411M 2* FORCE SILVER METALLIC	-	-	-	-	1	-----	K SMA
	64300-KYL-730ZD	*NH411M 3* FORCE SILVER METALLIC	-	-	-	-	1	-----	KCSMA
	64300-KYL-730ZE	*NH411M 4* FORCE SILVER METALLIC	-	-	-	-	1	-----	KCSMA
	64300-KYL-770ZA	*NH411M*FORCE SILVER METALLIC	-	-	-	-	1	-----	MCSMA
	64300-KYL-770ZB	*NH411M 1* FORCE SILVER METALLIC	-	-	-	-	1	-----	MCSMA
	64300-KYL-770ZC	*NH411M 2* FORCE SILVER METALLIC	-	-	-	-	1	-----	MCSMA
4	64320-KVL-T10	COVER, MAIN PIPE	-	-	1	-	-	-----	2MA
5	64510-KEV-900	CUSHION, FR. TOP COVER	-	-	3	-	-	-----	2MA
			-	-	-	-	3		
6	64511-KVL-T10	STAY, MAIN PIPE SIDE	-	-	1	-	-	-----	2MA
			-	-	-	-	1		
7	64700-KVL-M20ZA	SHIELD SET, R. LEG *TYPE1*(WL)	-	-	1	-	-	-----	2MA
	64700-KVL-M20ZB	SHIELD SET, R. LEG *TYPE2*(WL)	-	-	1	-	-	-----	2MA
	64700-KVL-M20ZC	SHIELD SET, R. LEG *TYPE3*(WL)	-	-	1	-	-	-----	2MA
	64700-KYL-730ZA	SHIELD SET, R. LEG *TYPE1*(WL)	-	-	-	-	1	-----	K SMA
	64700-KYL-730ZB	SHIELD SET, R. LEG *TYPE2*(WL)	-	-	-	-	1	-----	K SMA
	64700-KYL-730ZC	SHIELD SET, R. LEG *TYPE3*(WL)	-	-	-	-	1	-----	K SMA
	64700-KYL-730ZD	SHIELD SET, R. LEG *TYPE4*(WL)	-	-	-	-	1	-----	KCSMA, MCSMA
	64700-KYL-730ZE	SHIELD SET, R. LEG *TYPE5*(WL)	-	-	-	-	1	-----	KCSMA, MCSMA
	64700-KYL-730ZF	SHIELD SET, R. LEG *TYPE6*(WL)	-	-	-	-	1	-----	KCSMA, MCSMA
8	64750-KVL-M20ZA	SHIELD SET, L. LEG *TYPE1*(WL)	-	-	1	-	-	-----	2MA
	64750-KVL-M20ZB	SHIELD SET, L. LEG *TYPE2*(WL)	-	-	1	-	-	-----	2MA
	64750-KVL-M20ZC	SHIELD SET, L. LEG *TYPE3*(WL)	-	-	1	-	-	-----	2MA
	64750-KYL-730ZA	SHIELD SET, L. LEG *TYPE1*(WL)	-	-	-	-	1	-----	K SMA
	64750-KYL-730ZB	SHIELD SET, L. LEG *TYPE2*(WL)	-	-	-	-	1	-----	K SMA
	64750-KYL-730ZC	SHIELD SET, L. LEG *TYPE3*(WL)	-	-	-	-	1	-----	K SMA
	64750-KYL-730ZD	SHIELD SET, L. LEG *TYPE4*(WL)	-	-	-	-	1	-----	KCSMA, MCSMA
	64750-KYL-730ZE	SHIELD SET, L. LEG *TYPE5*(WL)	-	-	-	-	1	-----	KCSMA, MCSMA
	64750-KYL-730ZF	SHIELD SET, L. LEG *TYPE6*(WL)	-	-	-	-	1	-----	KCSMA, MCSMA
9	77228-GBG-850	RUBBER, SEAT LOCK	-	-	2	-	-	-----	2MA
			-	-	-	-	2		
10	90104-KPH-900	SCREW, SPECIAL, 5MM	-	-	5	-	-	-----	2MA
			-	-	-	-	5		
11	90107-KGH-600	SCREW, 6X12	-	-	5	-	-	-----	2MA
			-	-	-	-	5		
12	90114-GB4-810	SCREW, 6X25	-	-	3	-	-	-----	2MA
			-	-	-	-	3		
13	90302-SA4-003	NUT, SPRING, 4MM	-	-	2	-	-	-----	2MA
			-	-	-	-	2		
14	90502-GG2-000	COLLAR, RR. FENDER	-	-	2	-	-	-----	2MA
			-	-	-	-	2		
15	90677-KAN-T00	NUT, CLIP, 5MM	-	-	2	-	-	-----	2MA
			-	-	-	-	2		
16	93903-25210	SCREW, TAPPING, 5X12	-	-	8	-	-	-----	2MA
			-	-	-	-	8		





3

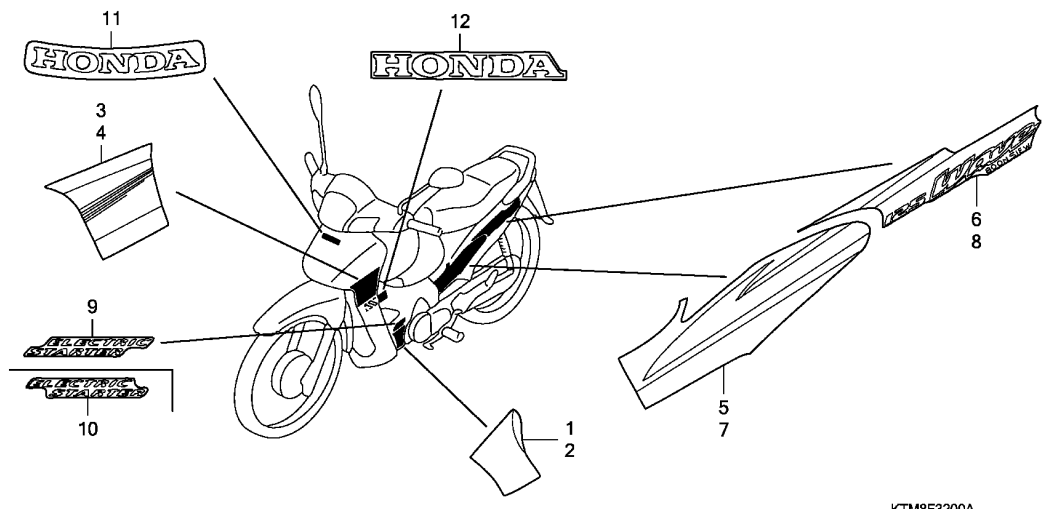
Ref. No.	Part No.	Description	Reqd. QTY					Serial No.	Parts catalogue code
			ANF125MR 5/M5	7/M7	8/M8	9/M9	AFP125 KCS/KS MCS A		
17	93903-34380	SCREW, TAPPING, 4X12	-	-	2	-	-	----- 2MA	
18	93903-34480	SCREW, TAPPING, 4X16	-	-	2	-	-	----- 2MA	
19	94103-06700	WASHER, PLAIN, 6MM	-	-	2	-	-	----- 2MA	
20	95701-06025-00	BOLT, FLANGE, 6X25	-	-	2	-	-	----- 2MA	
			-	-	-	-	2		



Ref. No. L.O.N. (Relative ref. Number) Description F.R.T.

NO INFORMATION

Ref. No.	Part No.	Description	Reqd. QTY					Serial No.	Parts catalogue code
			ANF125MR 5/M5 7/M7 8/M8 9/M9	AFP125 KCS/KS MCS A					
1	81218-KPG-940	LABEL, CARGO LIMIT (5KG)	1	-	-	-	-		
2	87505-KTM-880	LABEL, TIRE & DRIVE CHAIN ...	1	1	-	1	-		
	87505-KVL-M20	-	-	1	-	-	MA, MMA ZMA	
3	87506-KGH-970	MARK, BATTERY CAUTION	1	1	1	1	1		
4	87560-KW7-950ZB	MARK, DRIVE CAUTION *TWHITE*.....WHITE	1	1	1	1	1		
5	87513-KTL-M00ZA	LABEL, ENGINE STARTER *TWHITE*.....WHITE	-	-	1	-	-	2MA	
			-	-	-	-	1		



KTMBF3200A

Ref. No. L.O.N. (Relative ref. Number) Description F.R.T.

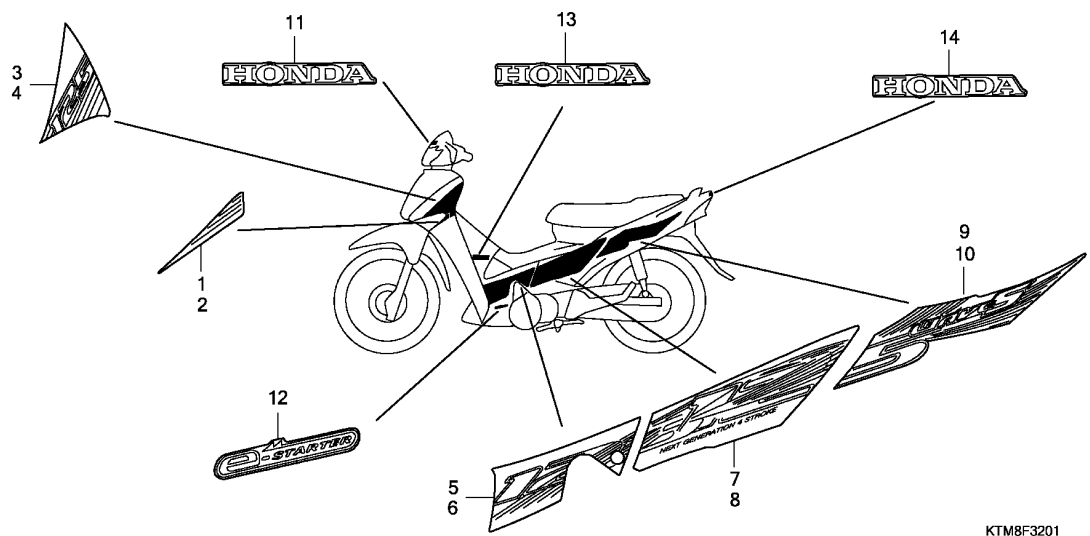
NO INFORMATION

3

Ref. No.	Part No.	Description	Reqd. QTY					Serial No.	Parts catalogue code
			ANF125MR 5/M5	7/M7	8/M8	9/M9	AFP125 KCS/KS MCS A		
1	87101-KTM-880ZA	STRIPE, L. MAIN PIPE COVER *TYPE1*	1	-	-	-	-		
	87101-KTM-880ZB	STRIPE, L. MAIN PIPE COVER *TYPE2*	1	-	-	-	-		
	87101-KTM-880ZC	STRIPE, L. MAIN PIPE COVER *TYPE3*	1	-	-	-	-		
	87101-KTM-880ZD	STRIPE, L. MAIN PIPE COVER *TYPE4*	1	-	-	-	-		
2	87102-KTM-880ZA	STRIPE, R. MAIN PIPE COVER *TYPE1*	1	-	-	-	-		
	87102-KTM-880ZB	STRIPE, R. MAIN PIPE COVER *TYPE2*	1	-	-	-	-		
	87102-KTM-880ZC	STRIPE, R. MAIN PIPE COVER *TYPE3*	1	-	-	-	-		
	87102-KTM-880ZD	STRIPE, R. MAIN PIPE COVER *TYPE4*	1	-	-	-	-		
3	87103-KTM-880ZA	STRIPE, L. LEG SHIELD *TYPE1*	1	-	-	-	-		
	87103-KTM-880ZB	STRIPE, L. LEG SHIELD *TYPE2*	1	-	-	-	-		
	87103-KTM-880ZC	STRIPE, L. LEG SHIELD *TYPE3*	1	-	-	-	-		
	87103-KTM-880ZD	STRIPE, L. LEG SHIELD *TYPE4*	1	-	-	-	-		
4	87104-KTM-880ZA	STRIPE, R. LEG SHIELD *TYPE1*	1	-	-	-	-		
	87104-KTM-880ZB	STRIPE, R. LEG SHIELD *TYPE2*	1	-	-	-	-		
	87104-KTM-880ZC	STRIPE, R. LEG SHIELD *TYPE3*	1	-	-	-	-		
	87104-KTM-880ZD	STRIPE, R. LEG SHIELD *TYPE4*	1	-	-	-	-		
5	87106-KTM-880ZA	STRIPE A, R. BODY COVER *TYPE1*	1	-	-	-	-		
	87106-KTM-880ZB	STRIPE A, R. BODY COVER *TYPE2*	1	-	-	-	-		

Ref. No.	Part No.	Description	Reqd. QTY					Serial No.	Parts catalogue code
			ANF125MR 5/M5	7/M7	8/M8	9/M9	AFP125 KCS/KS MCS A		
(5)	87106-KTM-880ZC	STRIPE A, R. BODY COVER							
		TYPE3	1	-	-	-	-		
	87106-KTM-880ZD	STRIPE A, R. BODY COVER							
		TYPE4	1	-	-	-	-		
6	87107-KTM-880ZA	STRIPE B, R. BODY COVER							
		TYPE1	1	-	-	-	-		
	87107-KTM-880ZB	STRIPE B, R. BODY COVER							
		TYPE2	1	-	-	-	-		
	87107-KTM-880ZC	STRIPE B, R. BODY COVER							
		TYPE3	1	-	-	-	-		
	87107-KTM-880ZD	STRIPE B, R. BODY COVER							
		TYPE4	1	-	-	-	-		
7	87108-KTM-880ZA	STRIPE A, L. BODY COVER							
		TYPE1	1	-	-	-	-		
	87108-KTM-880ZB	STRIPE A, L. BODY COVER							
		TYPE2	1	-	-	-	-		
	87108-KTM-880ZC	STRIPE A, L. BODY COVER							
		TYPE3	1	-	-	-	-		
	87108-KTM-880ZD	STRIPE A, L. BODY COVER							
		TYPE4	1	-	-	-	-		
8	87109-KTM-880ZA	STRIPE B, L. BODY COVER							
		TYPE1	1	-	-	-	-		
	87109-KTM-880ZB	STRIPE B, L. BODY COVER							
		TYPE2	1	-	-	-	-		
	87109-KTM-880ZC	STRIPE B, L. BODY COVER							
		TYPE3	1	-	-	-	-		
	87109-KTM-880ZD	STRIPE B, L. BODY COVER							
		TYPE4	1	-	-	-	-		
9	87110-KTM-880ZA	MARK, R. ELECTRIC STARTER							
		TYPE1	1	-	-	-	-	MMA	
	87110-KTM-880ZB	MARK, R. ELECTRIC STARTER							
		TYPE2	1	-	-	-	-	MMA	
	87110-KTM-880ZC	MARK, R. ELECTRIC STARTER							
		TYPE3	1	-	-	-	-	MMA	
	87110-KTM-880ZD	MARK, R. ELECTRIC STARTER							
		TYPE4	1	-	-	-	-	MMA	
10	87111-KTM-880ZA	MARK, L. ELECTRIC STARTER							
		TYPE1	1	-	-	-	-	MMA	
	87111-KTM-880ZB	MARK, L. ELECTRIC STARTER							
		TYPE2	1	-	-	-	-	MMA	
	87111-KTM-880ZC	MARK, L. ELECTRIC STARTER							
		TYPE3	1	-	-	-	-	MMA	
	87111-KTM-880ZD	MARK, L. ELECTRIC STARTER							
		TYPE4	1	-	-	-	-	MMA	
11	87120-KPH-900	MARK, HONDA (80MM)	1	-	-	-	-		
12	87130-KTM-880ZA	MARK, HONDA *TYPE1*(110MM) ..	2	-	-	-	-		
	87130-KTM-880ZB	MARK, HONDA *TYPE2*(110MM) ..	2	-	-	-	-		
	87130-KTM-880ZC	MARK, HONDA *TYPE3*(110MM) ..	2	-	-	-	-		
	87130-KTM-880ZD	MARK, HONDA *TYPE4*(110MM) ..	2	-	-	-	-		





KTM8F3201

Ref. No. L.O.N. (Relative ref. Number) Description F.R.T.

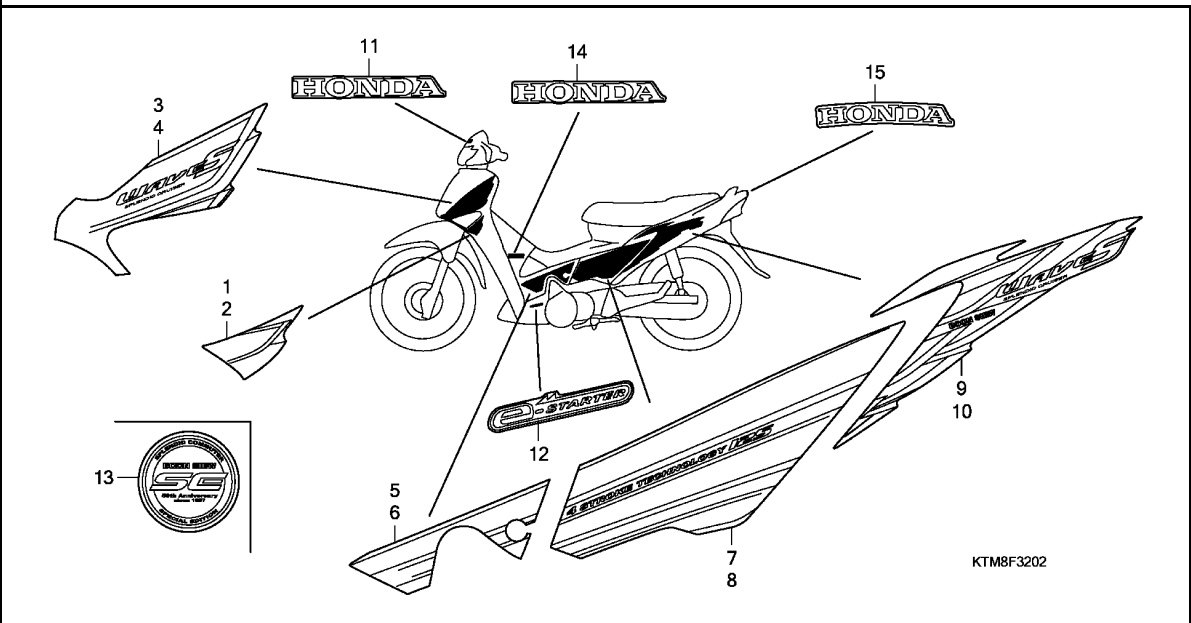
NO INFORMATION

3

Ref. No.	Part No.	Description	Reqd. QTY					Serial No.	Parts catalogue code
			ANF125MR 5/M5	7/M7	8/M8	9/M9	AFP125 KCS/KS MCS A		
1	87101-KVL-910ZA	STRIPE, R. LEG SHIELD *TYPE1*	-	1	-	-	-		
2	87102-KVL-910ZA	STRIPE, L. LEG SHIELD *TYPE1*	-	1	-	-	-		
3	87103-KVL-910ZA	STRIPE A, R. MAIN PIPE SIDE *TYPE1*	-	1	-	-	-		
	87103-KVL-910ZB	STRIPE A, R. MAIN PIPE SIDE *TYPE2*	-	1	-	-	-		
	87103-KVL-910ZC	STRIPE A, R. MAIN PIPE SIDE *TYPE3*	-	1	-	-	-		
	87103-KVL-910ZD	STRIPE A, R. MAIN PIPE SIDE *TYPE4*	-	1	-	-	-		
4	87104-KVL-910ZA	STRIPE A, L. MAIN PIPE SIDE *TYPE1*	-	1	-	-	-		
	87104-KVL-910ZB	STRIPE A, L. MAIN PIPE SIDE *TYPE2*	-	1	-	-	-		
	87104-KVL-910ZC	STRIPE A, L. MAIN PIPE SIDE *TYPE3*	-	1	-	-	-		
	87104-KVL-910ZD	STRIPE A, L. MAIN PIPE SIDE *TYPE4*	-	1	-	-	-		
5	87105-KVL-910ZA	STRIPE B, R. MAIN PIPE SIDE *TYPE1*	-	1	-	-	-		
	87105-KVL-910ZB	STRIPE B, R. MAIN PIPE SIDE *TYPE2*	-	1	-	-	-		
	87105-KVL-910ZC	STRIPE B, R. MAIN PIPE SIDE *TYPE3*	-	1	-	-	-		
	87105-KVL-910ZD	STRIPE B, R. MAIN PIPE SIDE *TYPE4*	-	1	-	-	-		

Ref. No.	Part No.	Description	Reqd. QTY					Serial No.	Parts catalogue code
			ANF125MR 5/M5 7/M7 8/M8 9/M9	AFP125 KCS/KS	MCS	A			
6	87106-KVL-910ZA	STRIPE B, L. MAIN PIPE SIDE *TYPE1*	-	1	-	-	-		
	87106-KVL-910ZB	STRIPE B, L. MAIN PIPE SIDE *TYPE2*	-	1	-	-	-		
	87106-KVL-910ZC	STRIPE B, L. MAIN PIPE SIDE *TYPE3*	-	1	-	-	-		
	87106-KVL-910ZD	STRIPE B, L. MAIN PIPE SIDE *TYPE4*	-	1	-	-	-		
7	87107-KVL-910ZA	STRIPE, R. SIDE COVER *TYPE1*	-	1	-	-	-		
	87107-KVL-910ZB	STRIPE, R. SIDE COVER *TYPE2*	-	1	-	-	-		
	87107-KVL-910ZC	STRIPE, R. SIDE COVER *TYPE3*	-	1	-	-	-		
	87107-KVL-910ZD	STRIPE, R. SIDE COVER *TYPE4*	-	1	-	-	-		
8	87108-KVL-910ZA	STRIPE, L. SIDE COVER *TYPE1*	-	1	-	-	-		
	87108-KVL-910ZB	STRIPE, L. SIDE COVER *TYPE2*	-	1	-	-	-		
	87108-KVL-910ZC	STRIPE, L. SIDE COVER *TYPE3*	-	1	-	-	-		
	87108-KVL-910ZD	STRIPE, L. SIDE COVER *TYPE4*	-	1	-	-	-		
9	87109-KVL-910ZA	STRIPE, R. BODY COVER *TYPE1*	-	1	-	-	-		
	87109-KVL-910ZB	STRIPE, R. BODY COVER *TYPE2*	-	1	-	-	-		
	87109-KVL-910ZC	STRIPE, R. BODY COVER *TYPE3*	-	1	-	-	-		
	87109-KVL-910ZD	STRIPE, R. BODY COVER *TYPE4*	-	1	-	-	-		
10	87110-KVL-910ZA	STRIPE, L. BODY COVER *TYPE1*	-	1	-	-	-		
	87110-KVL-910ZB	STRIPE, L. BODY COVER *TYPE2*	-	1	-	-	-		
	87110-KVL-910ZC	STRIPE, L. BODY COVER *TYPE3*	-	1	-	-	-		
	87110-KVL-910ZD	STRIPE, L. BODY COVER *TYPE4*	-	1	-	-	-		
11	87120-KVL-910ZA	MARK, HONDA *TYPE1*(60MM) ...	-	1	-	-	-		
	87120-KVL-910ZB	MARK, HONDA *TYPE2*(60MM) ...	-	1	-	-	-		
12	87121-KVL-910ZA	MARK, ELECTRIC STARTER *TYPE1*	-	2	-	-	-	----- MMA	
13	87130-KVL-910ZA	MARK, HONDA *TYPE1*(110MM) ..	-	2	-	-	-		
	87130-KVL-910ZB	MARK, HONDA *TYPE2*(110MM) ..	-	2	-	-	-		
	87130-KVL-910ZC	MARK, HONDA *TYPE3*(110MM) ..	-	2	-	-	-		
	87130-KVL-910ZD	MARK, HONDA *TYPE4*(110MM) ..	-	2	-	-	-		
14	87140-KVL-910ZA	MARK, HONDA *TYPE1*(50MM) ...	-	1	-	-	-		
	87140-KVL-910ZB	MARK, HONDA *TYPE2*(50MM) ...	-	1	-	-	-		

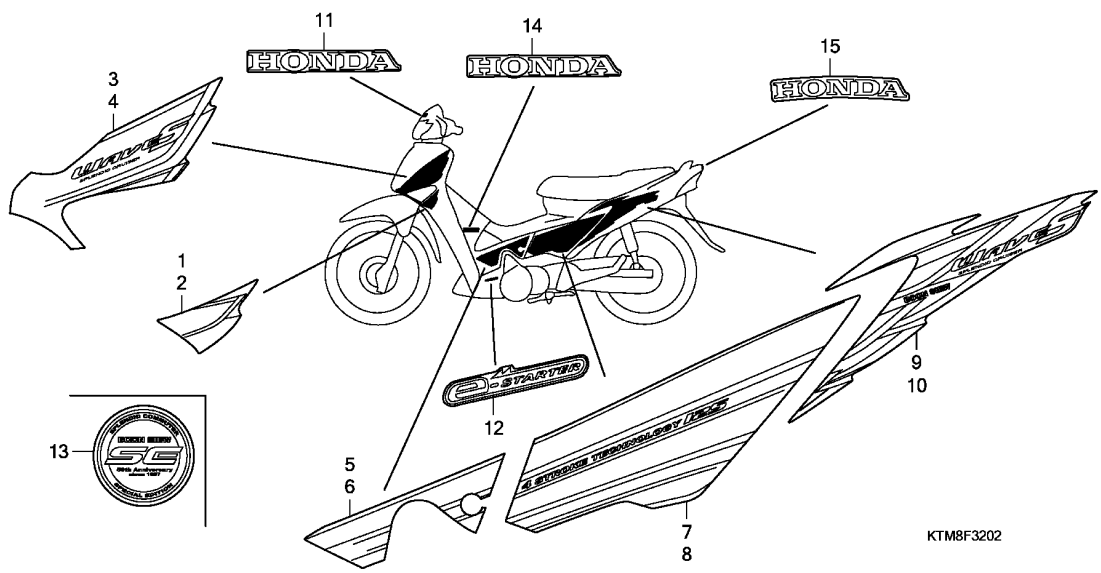




Ref. No.	L.O.N.	(Relative ref. Number) Description	F.R.T.
NO INFORMATION			

3

Ref. No.	Part No.	Description	Reqd. QTY				Serial No.	Parts catalogue code
			ANF125MR 5/M5 7/M7 8/M8 9/M9	AFP125 KCS/KS MCS	A			
1	87101-KVL-M00ZA	STRIPE, R. LEG SHIELD *TYPE1*	-	-	1	-	-	MA,MMA
	87101-KVL-M00ZB	STRIPE, R. LEG SHIELD *TYPE2*	-	-	1	-	-	MA,MMA
	87101-KVL-M00ZC	STRIPE, R. LEG SHIELD *TYPE3*	-	-	1	-	-	MA,MMA
2	87102-KVL-M00ZA	STRIPE, L. LEG SHIELD *TYPE1*	-	-	1	-	-	MA,MMA
	87102-KVL-M00ZB	STRIPE, L. LEG SHIELD *TYPE2*	-	-	1	-	-	MA,MMA
	87102-KVL-M00ZC	STRIPE, L. LEG SHIELD *TYPE3*	-	-	1	-	-	MA,MMA
3	87103-KVL-M00ZA	STRIPE A, R. MAIN PIPE SIDE COVER *TYPE1*	-	-	1	-	-	MA,MMA
	87103-KVL-M00ZB	STRIPE A, R. MAIN PIPE SIDE COVER *TYPE2*	-	-	1	-	-	MA,MMA
	87103-KVL-M00ZC	STRIPE A, R. MAIN PIPE SIDE COVER *TYPE3*	-	-	1	-	-	MA,MMA
4	87104-KVL-M00ZA	STRIPE A, L. MAIN PIPE SIDE COVER *TYPE1*	-	-	1	-	-	MA,MMA
	87104-KVL-M00ZB	STRIPE A, L. MAIN PIPE SIDE COVER *TYPE2*	-	-	1	-	-	MA,MMA
	87104-KVL-M00ZC	STRIPE A, L. MAIN PIPE SIDE COVER *TYPE3*	-	-	1	-	-	MA,MMA
5	87105-KVL-M00ZA	STRIPE B, R. MAIN PIPE SIDE COVER *TYPE1*	-	-	1	-	-	MA,MMA
	87105-KVL-M00ZB	STRIPE B, R. MAIN PIPE SIDE COVER *TYPE2*	-	-	1	-	-	MA,MMA
	87105-KVL-M00ZC	STRIPE B, R. MAIN PIPE SIDE COVER *TYPE3*	-	-	1	-	-	MA,MMA
6	87106-KVL-M00ZA	STRIPE B, L. MAIN PIPE SIDE COVER *TYPE1*	-	-	1	-	-	MA,MMA



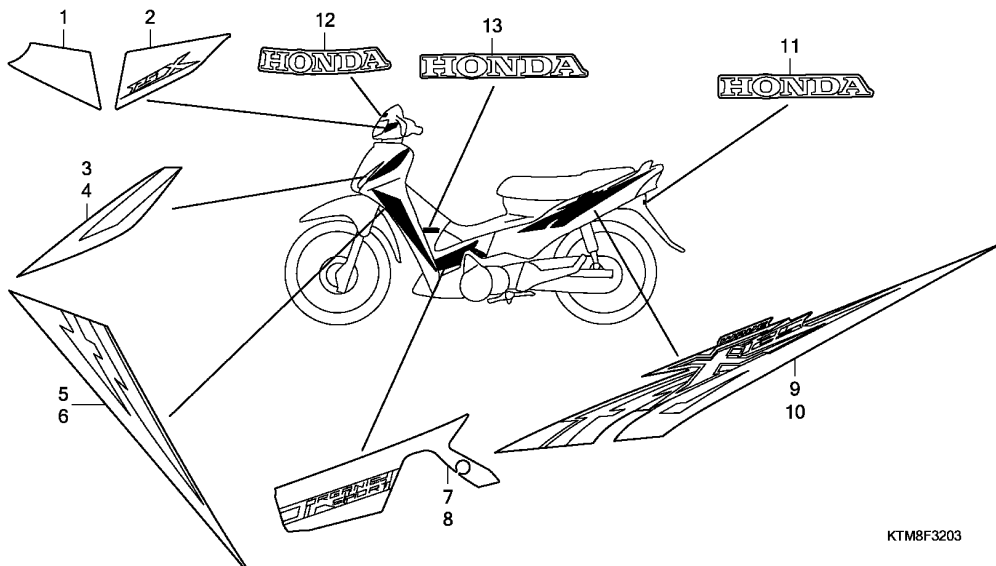
KTMBF3202

Ref. No.	Part No.	Description	Reqd. QTY					Serial No.	Parts catalogue code
			ANF125MR 5/M5 7/M7 8/M8 9/M9	AFP125 KCS/KS MCS A					
(6)	87106-KVL-M00ZB	STRIPE B, L. MAIN PIPE SIDE COVER *TYPE2*	-	-	1	-	-	-----	MA,MMA
	87106-KVL-M00ZC	STRIPE B, L. MAIN PIPE SIDE COVER *TYPE3*	-	-	1	-	-	-----	MA,MMA
7	87107-KVL-M00ZA	STRIPE, R. SIDE COVER *TYPE1*	-	-	1	-	-	-----	MA,MMA
	87107-KVL-M00ZB	STRIPE, R. SIDE COVER *TYPE2*	-	-	1	-	-	-----	MA,MMA
	87107-KVL-M00ZC	STRIPE, R. SIDE COVER *TYPE3*	-	-	1	-	-	-----	MA,MMA
8	87108-KVL-M00ZA	STRIPE, L. SIDE COVER *TYPE1*	-	-	1	-	-	-----	MA,MMA
	87108-KVL-M00ZB	STRIPE, L. SIDE COVER *TYPE2*	-	-	1	-	-	-----	MA,MMA
	87108-KVL-M00ZC	STRIPE, L. SIDE COVER *TYPE3*	-	-	1	-	-	-----	MA,MMA
9	87109-KVL-M00ZA	STRIPE, R. BODY COVER *TYPE1*	-	-	1	-	-	-----	MA,MMA
	87109-KVL-M00ZB	STRIPE, R. BODY COVER *TYPE2*	-	-	1	-	-	-----	MA,MMA
	87109-KVL-M00ZC	STRIPE, R. BODY COVER *TYPE3*	-	-	1	-	-	-----	MA,MMA
10	87110-KVL-M00ZA	STRIPE, L. BODY COVER *TYPE1*	-	-	1	-	-	-----	MA,MMA
	87110-KVL-M00ZB	STRIPE, L. BODY COVER *TYPE2*	-	-	1	-	-	-----	MA,MMA
	87110-KVL-M00ZC	STRIPE, L. BODY COVER *TYPE3*	-	-	1	-	-	-----	MA,MMA
11	87120-KVL-910ZA	MARK, HONDA *TYPE1*(60MM) ...	-	-	1	-	-	-----	MA,MMA
	87120-KVL-910ZB	MARK, HONDA *TYPE2*(60MM) ...	-	-	1	-	-	-----	MA,MMA
12	87121-KVL-M00ZA	MARK, ELECTRIC STARTER *TYPE1*	-	-	2	-	-	-----	MMA
13	87122-KVL-M00ZA	MARK *TYPE1*(BOON SIEW SE) ..	-	-	1	-	-	-----	MA,MMA
14	87130-KVL-M00ZA	MARK, HONDA *TYPE1*(110MM) ..	-	-	2	-	-	-----	MA,MMA
	87130-KVL-M00ZB	MARK, HONDA *TYPE2*(110MM) ..	-	-	2	-	-	-----	MA,MMA
15	87140-KVL-M00ZA	MARK, HONDA *TYPE1*(50MM) ...	-	-	1	-	-	-----	MA,MMA
	87140-KVL-M00ZB	MARK, HONDA *TYPE2*(50MM) ...	-	-	1	-	-	-----	MA,MMA

F-32-3

MARK/STRIPE(4)

N 3



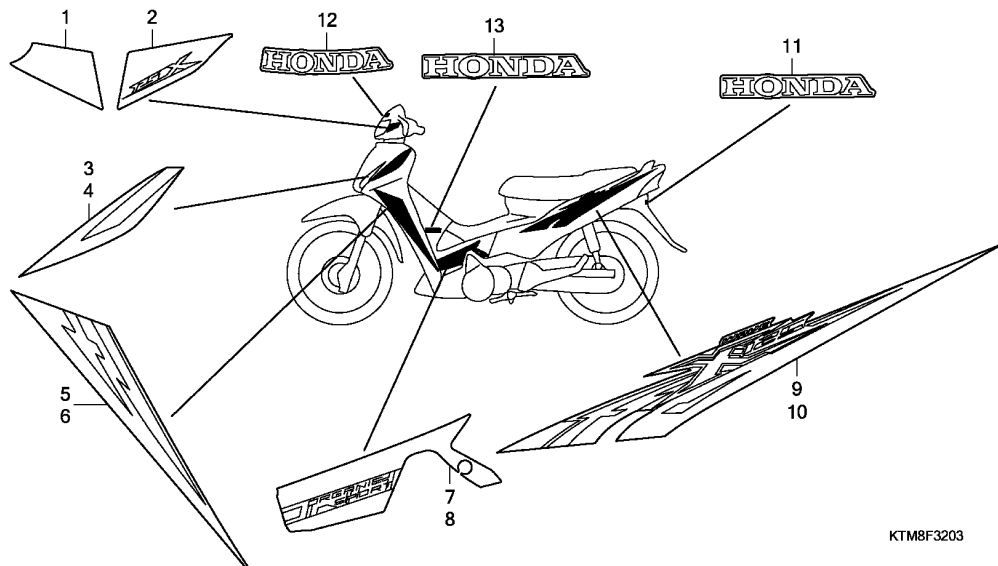
KTM8F3203

Ref. L.O.N. (Relative ref. Number) F.R.T.
No. Description

NO INFORMATION

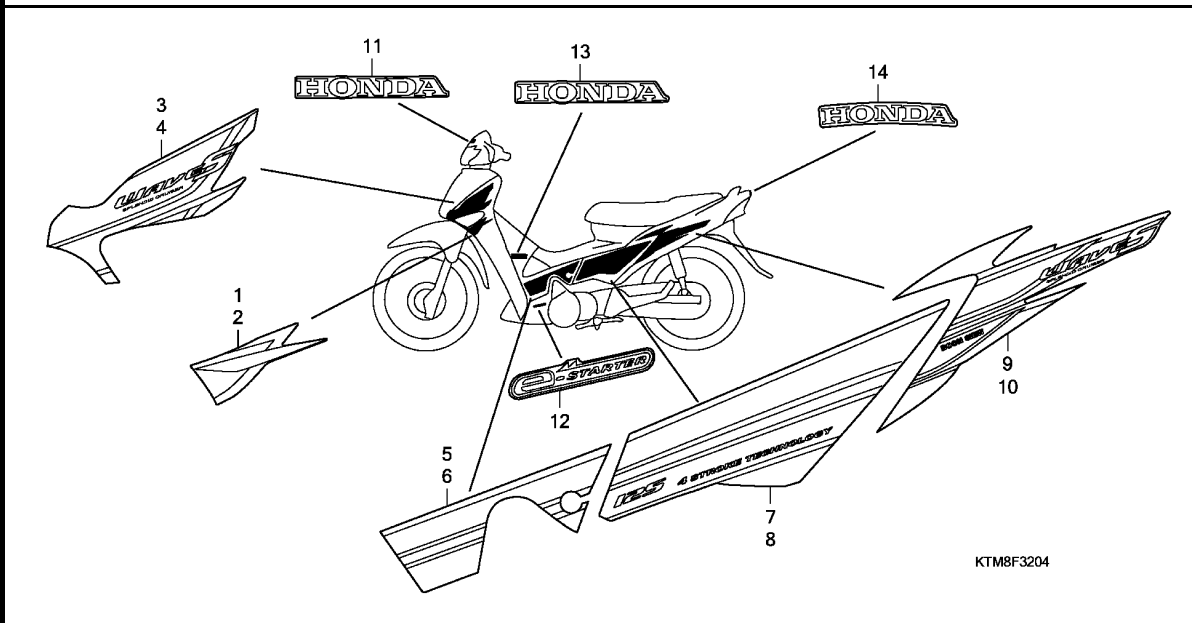
3

Ref. No.	Part No.	Description	Reqd. QTY					Serial No.	Parts catalogue code	
			ANF125MR 5/M5 7/M7 8/M8 9/M9	AFP125 KCS/KS MCS A						
1	53208-KVL-M20ZA	STRIPE, R. FR. HANDLE COVER				1				
		TYPE1	-	-	-	1	-	-	-----	2MA
	53208-KVL-M20ZB	STRIPE, R. FR. HANDLE COVER				1				
		TYPE2	-	-	-	1	-	-	-----	2MA
	53208-KVL-M20ZC	STRIPE, R. FR. HANDLE COVER				1				
		TYPE3	-	-	-	1	-	-	-----	2MA
2	53209-KVL-M20ZA	STRIPE, L. FR. HANDLE COVER				1				
		TYPE1	-	-	-	1	-	-	-----	2MA
	53209-KVL-M20ZB	STRIPE, L. FR. HANDLE COVER				1				
		TYPE2	-	-	-	1	-	-	-----	2MA
	53209-KVL-M20ZC	STRIPE, L. FR. HANDLE COVER				1				
		TYPE3	-	-	-	1	-	-	-----	2MA
3	87100-KVL-M20ZA	STRIPE, R. FR. TOP COVER				1				
		TYPE1	-	-	-	1	-	-	-----	2MA
	87100-KVL-M20ZB	STRIPE, R. FR. TOP COVER				1				
		TYPE2	-	-	-	1	-	-	-----	2MA
	87100-KVL-M20ZC	STRIPE, R. FR. TOP COVER				1				
		TYPE3	-	-	-	1	-	-	-----	2MA
4	87101-KVL-M20ZA	STRIPE, L. FR. TOP COVER				1				
		TYPE1	-	-	-	1	-	-	-----	2MA
	87101-KVL-M20ZB	STRIPE, L. FR. TOP COVER				1				
		TYPE2	-	-	-	1	-	-	-----	2MA
	87101-KVL-M20ZC	STRIPE, L. FR. TOP COVER				1				
		TYPE3	-	-	-	1	-	-	-----	2MA
5	87102-KVL-M20ZA	STRIPE, R. LEG SHIELD				1				
		TYPE1	-	-	-	1	-	-	-----	2MA
	87102-KVL-M20ZB	STRIPE, R. LEG SHIELD				1				
		TYPE2	-	-	-	1	-	-	-----	2MA
	87102-KVL-M20ZC	STRIPE, R. LEG SHIELD				1				
		TYPE3	-	-	-	1	-	-	-----	2MA



KTMBF3203

Ref. No.	Part No.	Description	Reqd. QTY				Serial No.	Parts catalogue code
			ANF125MR 5/M5 7/M7 8/M8 9/M9	AFP125 KCS/KS MCS A				
6	87103-KVL-M20ZA	STRIPE, L. LEG SHIELD *TYPE1*	-	-	1	-	-	2MA
	87103-KVL-M20ZB	STRIPE, L. LEG SHIELD *TYPE2*	-	-	1	-	-	2MA
	87103-KVL-M20ZC	STRIPE, L. LEG SHIELD *TYPE3*	-	-	1	-	-	2MA
7	87104-KVL-M20ZA	STRIPE, R. MAIN PIPE COVER	-	-	1	-	-	2MA
	87104-KVL-M20ZB	STRIPE, R. MAIN PIPE COVER *TYPE1*	-	-	1	-	-	2MA
	87104-KVL-M20ZC	STRIPE, R. MAIN PIPE COVER *TYPE2*	-	-	1	-	-	2MA
	87104-KVL-M20ZC	STRIPE, R. MAIN PIPE COVER *TYPE3*	-	-	1	-	-	2MA
8	87105-KVL-M20ZA	STRIPE, L. MAIN PIPE COVER	-	-	1	-	-	2MA
	87105-KVL-M20ZB	STRIPE, L. MAIN PIPE COVER *TYPE1*	-	-	1	-	-	2MA
	87105-KVL-M20ZC	STRIPE, L. MAIN PIPE COVER *TYPE2*	-	-	1	-	-	2MA
	87105-KVL-M20ZC	STRIPE, L. MAIN PIPE COVER *TYPE3*	-	-	1	-	-	2MA
9	87106-KVL-M20ZA	STRIPE, R. BODY COVER *TYPE1*	-	-	1	-	-	2MA
	87106-KVL-M20ZB	STRIPE, R. BODY COVER *TYPE2*	-	-	1	-	-	2MA
	87106-KVL-M20ZC	STRIPE, R. BODY COVER *TYPE3*	-	-	1	-	-	2MA
10	87108-KVL-M20ZA	STRIPE, L. BODY COVER *TYPE1*	-	-	1	-	-	2MA
	87108-KVL-M20ZB	STRIPE, L. BODY COVER *TYPE2*	-	-	1	-	-	2MA
	87108-KVL-M20ZC	STRIPE, L. BODY COVER *TYPE3*	-	-	1	-	-	2MA
11	87110-KVL-T20ZA	MARK, HONDA *TYPE1*(70MM)	...	-	1	-	-	2MA
12	87120-KVL-T20ZA	MARK, HONDA *TYPE1*(65MM)	...	-	1	-	-	2MA
13	87130-KVL-T20ZA	MARK, HONDA *TYPE1*(105MM)	..	-	2	-	-	2MA
	87130-KVL-T20ZB	MARK, HONDA *TYPE2*(105MM)	..	-	2	-	-	2MA



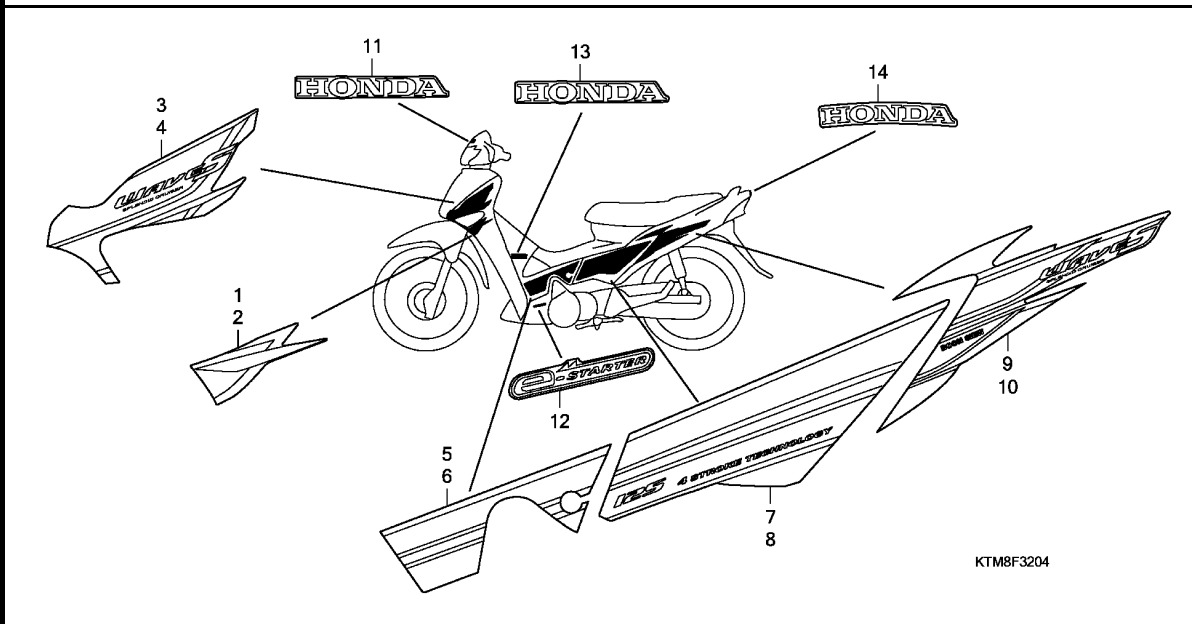
Ref. No. L.O.N. (Relative ref. Number) Description F.R.T.

NO INFORMATION

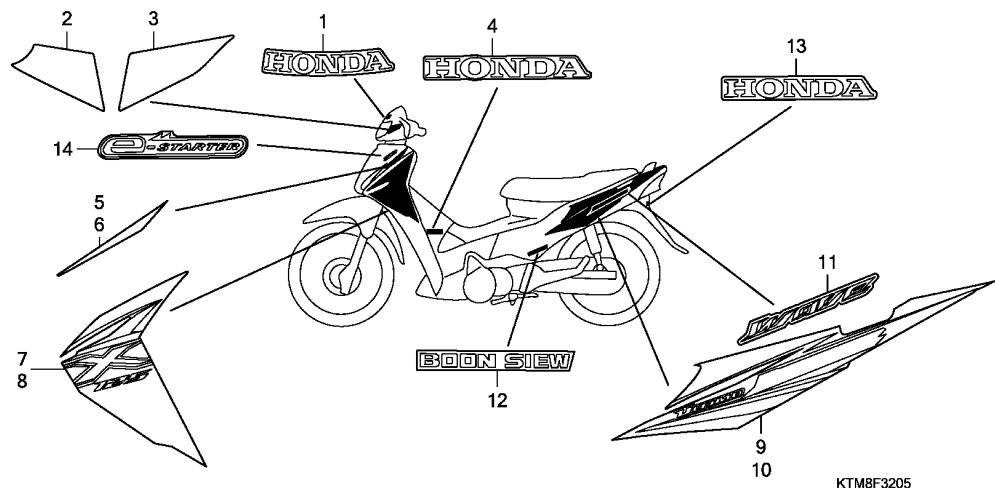
KTMBF3204

3

Ref. No.	Part No.	Description	Reqd. QTY					Serial No.	Parts catalogue code
			ANF125MR	AFP125	KCS/KS	MCS	A		
			5/M5	7/M7	8/M8	9/M9			
1	87101-KVL-M30ZA	STRIPE, R. LEG SHIELD *TYPE1*	-	-	-	1	-		
	87101-KVL-M30ZB	STRIPE, R. LEG SHIELD *TYPE2*	-	-	-	1	-		
	87101-KVL-M30ZC	STRIPE, R. LEG SHIELD *TYPE3*	-	-	-	1	-		
2	87102-KVL-M30ZA	STRIPE, L. LEG SHIELD *TYPE1*	-	-	-	1	-		
	87102-KVL-M30ZB	STRIPE, L. LEG SHIELD *TYPE2*	-	-	-	1	-		
	87102-KVL-M30ZC	STRIPE, L. LEG SHIELD *TYPE3*	-	-	-	1	-		
3	87103-KVL-M30ZA	STRIPE A, R. MAIN PIPE SIDE COVER *TYPE1*	-	-	-	1	-		
	87103-KVL-M30ZB	STRIPE A, R. MAIN PIPE SIDE COVER *TYPE2*	-	-	-	1	-		
	87103-KVL-M30ZC	STRIPE A, R. MAIN PIPE SIDE COVER *TYPE3*	-	-	-	1	-		
4	87104-KVL-M30ZA	STRIPE A, L. MAIN PIPE SIDE COVER *TYPE1*	-	-	-	1	-		
	87104-KVL-M30ZB	STRIPE A, L. MAIN PIPE SIDE COVER *TYPE2*	-	-	-	1	-		
	87104-KVL-M30ZC	STRIPE A, L. MAIN PIPE SIDE COVER *TYPE3*	-	-	-	1	-		
5	87105-KVL-M30ZA	STRIPE B, R. MAIN PIPE SIDE COVER *TYPE1*	-	-	-	1	-		
	87105-KVL-M30ZB	STRIPE B, R. MAIN PIPE SIDE COVER *TYPE2*	-	-	-	1	-		
6	87106-KVL-M30ZA	STRIPE B, L. MAIN PIPE SIDE COVER *TYPE1*	-	-	-	1	-		
	87106-KVL-M30ZB	STRIPE B, L. MAIN PIPE SIDE COVER *TYPE2*	-	-	-	1	-		
7	87107-KVL-M30ZA	STRIPE, R. SIDE COVER *TYPE1*	-	-	-	1	-		



Ref. No.	Part No.	Description	Reqd. QTY					Serial No.	Parts catalogue code
			ANF125MR	AFP125	KCS/KS				
			5/M5	7/M7	8/M8	9/M9	A		
(7)	87107-KVL-M30ZB	STRIPE, R. SIDE COVER *TYPE2*	-	-	-	1	-		
	87107-KVL-M30ZC	STRIPE, R. SIDE COVER *TYPE3*	-	-	-	1	-		
8	87108-KVL-M30ZA	STRIPE, L. SIDE COVER *TYPE1*	-	-	-	1	-		
	87108-KVL-M30ZB	STRIPE, L. SIDE COVER *TYPE2*	-	-	-	1	-		
	87108-KVL-M30ZC	STRIPE, L. SIDE COVER *TYPE3*	-	-	-	1	-		
9	87109-KVL-M30ZA	STRIPE, R. BODY COVER *TYPE1*	-	-	-	1	-		
	87109-KVL-M30ZB	STRIPE, R. BODY COVER *TYPE2*	-	-	-	1	-		
	87109-KVL-M30ZC	STRIPE, R. BODY COVER *TYPE3*	-	-	-	1	-		
10	87110-KVL-M30ZA	STRIPE, L. BODY COVER *TYPE1*	-	-	-	1	-		
	87110-KVL-M30ZB	STRIPE, L. BODY COVER *TYPE2*	-	-	-	1	-		
	87110-KVL-M30ZC	STRIPE, L. BODY COVER *TYPE3*	-	-	-	1	-		
11	87120-KVL-910ZA	MARK, HONDA *TYPE1*(60MM) ...	-	-	-	1	-		
	87120-KVL-910ZB	MARK, HONDA *TYPE2*(60MM) ...	-	-	-	1	-		
12	87121-KVL-M00ZA	MARK, ELECTRIC STARTER *TYPE1*	-	-	-	1	-	----- MMA	
13	87130-KWY-750ZA	MARK, HONDA *TYPE1*(110MM) ..	-	-	-	2	-		
14	87140-KVL-M00ZA	MARK, HONDA *TYPE1*(50MM) ...	-	-	-	1	-		
	87140-KVL-M00ZB	MARK, HONDA *TYPE2*(50MM) ...	-	-	-	1	-		



Ref. L.O.N. (Relative ref. Number) F.R.T.
No. Description

NO INFORMATION

3

Ref. No.	Part No.	Description	Reqd. QTY					Serial No.	Parts catalogue code
			ANF125MR 5/M5 7/M7 8/M8 9/M9	A	AFP125 KCS/KS MCS				
1	86531-KYL-730ZA	MARK, HONDA *TYPE1*(65MM) ...	-	-	-	-	1	-----	KSMA
	86531-KYL-730ZB	MARK, HONDA *TYPE2*(65MM) ...	-	-	-	-	1	-----	KCSMA, MCSMA
2	86532-KYL-750ZA	STRIPE, R. FR. HANDLE COVER	-	-	-	-	1	-----	KCSMA, MCSMA
		TYPE1	-	-	-	-	1	-----	KCSMA, MCSMA
	86532-KYL-750ZB	STRIPE, R. FR. HANDLE COVER	-	-	-	-	1	-----	KCSMA, MCSMA
		TYPE2	-	-	-	-	1	-----	KCSMA, MCSMA
	86532-KYL-750ZC	STRIPE, R. FR. HANDLE COVER	-	-	-	-	1	-----	KCSMA, MCSMA
		TYPE3	-	-	-	-	1	-----	KCSMA, MCSMA
3	86533-KYL-750ZA	STRIPE, R. FR. HANDLE COVER	-	-	-	-	1	-----	KCSMA, MCSMA
		TYPE1	-	-	-	-	1	-----	KCSMA, MCSMA
	86533-KYL-750ZB	STRIPE, R. FR. HANDLE COVER	-	-	-	-	1	-----	KCSMA, MCSMA
		TYPE2	-	-	-	-	1	-----	KCSMA, MCSMA
	86533-KYL-750ZC	STRIPE, R. FR. HANDLE COVER	-	-	-	-	1	-----	KCSMA, MCSMA
		TYPE3	-	-	-	-	1	-----	KCSMA, MCSMA
4	86641-KYL-730ZA	MARK, HONDA *TYPE1*(105MM) ..	-	-	-	-	2	-----	KSMA
	86641-KYL-730ZB	MARK, HONDA *TYPE2*(105MM) ..	-	-	-	-	2	-----	KCSMA, MCSMA
5	86642-KYL-730ZA	STRIPE, R. FR. TOP COVER	-	-	-	-	1	-----	KSMA
		TYPE1	-	-	-	-	1	-----	KSMA
	86642-KYL-730ZB	STRIPE, R. FR. TOP COVER	-	-	-	-	1	-----	KSMA
		TYPE2	-	-	-	-	1	-----	KSMA
	86642-KYL-730ZC	STRIPE, R. FR. TOP COVER	-	-	-	-	1	-----	KSMA
		TYPE3	-	-	-	-	1	-----	KSMA
	86642-KYL-730ZD	STRIPE, R. FR. TOP COVER	-	-	-	-	1	-----	KCSMA, MCSMA
		TYPE4	-	-	-	-	1	-----	KCSMA, MCSMA
	86642-KYL-730ZE	STRIPE, R. FR. TOP COVER	-	-	-	-	1	-----	KCSMA, MCSMA
		TYPE5	-	-	-	-	1	-----	KCSMA, MCSMA

Ref. No.	Part No.	Description	Reqd. QTY					Serial No.	Parts catalogue code	
			ANF125MR 5/M5 7/M7 8/M8 9/M9	AFP125 KCS/KS	MCS	A				
6	86643-KYL-730ZA	STRIPE, L. FR. TOP COVER *TYPE1*	-	-	-	-	1	-----	-----	KSMA
	86643-KYL-730ZB	STRIPE, L. FR. TOP COVER *TYPE2*	-	-	-	-	1	-----	-----	KSMA
	86643-KYL-730ZC	STRIPE, L. FR. TOP COVER *TYPE3*	-	-	-	-	1			
	86643-KYL-730ZD	STRIPE, L. FR. TOP COVER *TYPE4*	-	-	-	-	1	-----	-----	KCSMA,MCSMA
	86643-KYL-730ZE	STRIPE, L. FR. TOP COVER *TYPE5*	-	-	-	-	1	-----	-----	KCSMA,MCSMA
7	86644-KYL-730ZA	STRIPE, R. LEG SHIELD *TYPE1*	-	-	-	-	1	-----	-----	KSMA
	86644-KYL-730ZB	STRIPE, R. LEG SHIELD *TYPE2*	-	-	-	-	1	-----	-----	KSMA
	86644-KYL-730ZC	STRIPE, R. LEG SHIELD *TYPE3*	-	-	-	-	1	-----	-----	KSMA
	86644-KYL-730ZD	STRIPE, R. LEG SHIELD *TYPE4*	-	-	-	-	1	-----	-----	KCSMA,MCSMA
	86644-KYL-730ZE	STRIPE, R. LEG SHIELD *TYPE5*	-	-	-	-	1	-----	-----	KCSMA,MCSMA
	86644-KYL-730ZF	STRIPE, R. LEG SHIELD *TYPE6*	-	-	-	-	1	-----	-----	KCSMA,MCSMA
8	86645-KYL-730ZA	STRIPE, L. LEG SHIELD *TYPE1*	-	-	-	-	1	-----	-----	KSMA
	86645-KYL-730ZB	STRIPE, L. LEG SHIELD *TYPE2*	-	-	-	-	1	-----	-----	KSMA
	86645-KYL-730ZC	STRIPE, L. LEG SHIELD *TYPE3*	-	-	-	-	1	-----	-----	KSMA
	86645-KYL-730ZD	STRIPE, L. LEG SHIELD *TYPE4*	-	-	-	-	1	-----	-----	KCSMA,MCSMA
	86645-KYL-730ZE	STRIPE, L. LEG SHIELD *TYPE5*	-	-	-	-	1	-----	-----	KCSMA,MCSMA
	86645-KYL-730ZF	STRIPE, L. LEG SHIELD *TYPE6*	-	-	-	-	1	-----	-----	KCSMA,MCSMA
9	86646-KYL-730ZA	STRIPE, R. BODY COVER *TYPE1*	-	-	-	-	1	-----	-----	KSMA
	86646-KYL-730ZB	STRIPE, R. BODY COVER *TYPE2*	-	-	-	-	1	-----	-----	KSMA
	86646-KYL-730ZC	STRIPE, R. BODY COVER *TYPE3*	-	-	-	-	1	-----	-----	KSMA
	86646-KYL-730ZD	STRIPE, R. BODY COVER *TYPE4*	-	-	-	-	1	-----	-----	KCSMA,MCSMA
	86646-KYL-730ZE	STRIPE, R. BODY COVER *TYPE5*	-	-	-	-	1	-----	-----	KCSMA,MCSMA
	86646-KYL-730ZF	STRIPE, R. BODY COVER *TYPE6*	-	-	-	-	1	-----	-----	KCSMA,MCSMA
10	86647-KYL-730ZA	STRIPE, L. BODY COVER *TYPE1*	-	-	-	-	1	-----	-----	KSMA
	86647-KYL-730ZB	STRIPE, L. BODY COVER *TYPE2*	-	-	-	-	1	-----	-----	KSMA
	86647-KYL-730ZC	STRIPE, L. BODY COVER *TYPE3*	-	-	-	-	1	-----	-----	KSMA
	86647-KYL-730ZD	STRIPE, L. BODY COVER *TYPE4*	-	-	-	-	1	-----	-----	KCSMA,MCSMA
	86647-KYL-730ZE	STRIPE, L. BODY COVER *TYPE5*	-	-	-	-	1	-----	-----	KCSMA,MCSMA
	86647-KYL-730ZF	STRIPE, L. BODY COVER *TYPE6*	-	-	-	-	1	-----	-----	KCSMA,MCSMA
11	86648-KYL-750ZA	MARK *TYPE1*(WAVE)	-	-	-	-	2	-----	-----	KCSMA,MCSMA
12	86649-KYL-730ZA	MARK *TYPE1*(BOON SIEW)	-	-	-	-	2			
	86649-KYL-730ZB	MARK *TYPE2*(BOON SIEW)	-	-	-	-	2	-----	-----	KCSMA,MCSMA
13	87110-KVL-T20ZA	MARK, HONDA *TYPE1*(70MM) ...	-	-	-	-	1			
14	87111-KWY-770ZA	MARK, ELECTRIC STARTER *TYPE1*	-	-	-	-	1	-----	-----	MCSMA



PART NO. INDEX

2-B 1

Part Number	Address	Page	Ref.	Part Number	Address	Page	Ref.	Part Number	Address	Page	Ref.	Part Number	Address	Page	Ref.
06000				12341-KPH-900	F1	51	6	15000				17213-KPH-900	J15	128	2
06381-KPH-900	G5	71	1	12361-KPH-900	F1	51	7	17225-KPH-900	J15	128	3	22535-KTM-305	F11	61	3
06410-KFL-850	I14	111	1	12395-KPH-900	F1	51	8	17227-HC0-000	J15	128	4	22606-GN5-910	F11	61	4
	J1	114	1	12395-KPH-901	F1	51	8	17234-KCW-871	J15	128	5	22610-KPH-900	F11	61	5
06420-KFL-850	I14	111	2					17235-KPH-700	J15	128	6	22610-KTM-D20	F11	61	5
06421-KFL-850	I14	111	3	13000				17235-KPH-900	J15	128	6	22630-GB2-000	F11	61	6
06430-KPH-900	I12	109	1	13000-KPH-900	G5	71	2	17253-KPH-900	J15	128	7	22641-KPH-900	F11	61	7
	I13	110	1	13000-KVL-910	G5	71	2	17253-KPH-900	J15	128	7	22642-KPH-900	F11	61	8
06451-GE2-405	I8	105	1	13011-KPH-900	G5	71	3	17255-329-000	J15	128	8	22643-KPH-900	F11	61	9
06455-KPH-951	I8	105	2	13011-KPH-900	G5	71	3	17270-KPH-900	L14	159	2	22644-KPH-900	F11	61	10
06455-KPY-932	I8	105	2	13011-KTM-980	G5	71	3	17358-KFM-890	J15	128	9	22644-KTM-D20	F11	61	10
06455-KPY-933	I8	105	2	13021-KPH-900	G5	71	3	17510-KPH-950	J3	116	2	22660-KPH-900	F11	61	11
06530-GBG-B20	I3	100	1	13021-KTM-980	G5	71	3	17510-KVL-910	J3	116	2	22660-KPH-901	F12	62	11
06531-GBG-B20	I3	100	2	13021-KTM-980	G5	71	3	17620-KEV-900	J3	116	3	22660-KTM-D20	F12	62	27
				13031-KPH-900	G5	71	3	17631-KEV-900	J3	116	4	22804-GB2-000	F12	62	12
				13031-KTM-980	G5	71	3	17631-KTM-880	J3	116	5	22804-KPH-880	F12	62	12
				13041-KPH-900	G5	71	3	17631-KVL-910	J3	116	5	22810-KPH-900	F9	59	5
				13041-KTM-980	G5	71	3	17631-KVL-T10	J3	116	5	22820-KPH-700	F9	59	6
				13051-KPH-900	G5	71	3	17633-KPH-900	J3	116	6	22820-KPH-900	F9	59	6
11000				13051-KTM-980	G5	71	3	17640-KTM-880	F1	51	14	22825-046-000	F9	59	7
11100-KPH-700	G3	69	1	13101-KPH-700	G5	71	4	17910-KPH-B30	H9	90	1	22830-KPH-900	F9	59	8
11100-KPH-710	G3	69	1	13101-KPH-900	G5	71	4	17910-KTM-950	H9	90	1	22846-KPH-901	F9	59	9
11100-KPH-900	G3	69	1	13102-KPH-305	G5	71	4	17910-KVL-T10	H9	90	1	22850-KPH-900	F9	59	10
11100-KPH-910	G3	69	1	13103-KPH-305	G5	71	4	17950-KPH-B30	H9	90	2	22853-KPH-900	F9	59	11
11133-KPH-900	G3	69	2	13104-KPH-305	G5	71	4	17950-KTM-840	H9	90	2	22860-HB3-000	F9	59	12
11200-KPW-900	G3	69	3	13105-KPH-305	G5	71	4	17961-KFM-900	H9	90	3				
11200-KPW-901	G3	69	3	13111-087-000	G5	71	5	17962-KFM-900	H9	90	4	23000			
11200-KPW-910	G3	69	3	13115-GN5-910	G5	71	6					23120-KPH-900	F12	62	13
11200-KPW-911	G3	69	3	13310-KPH-900	G5	71	7	18000				23122-KPH-900	F12	62	14
11200-KTM-640	G3	69	3	13321-KPH-900	G5	71	8	18240-KPG-T00	K1	130	1	23123-KPH-900	F12	62	15
11200-KTM-730	G3	69	3					18291-HB2-900	J16	129	1	23124-KPH-900	F12	62	16
11215-KPH-900	G3	69	4	14000								23125-GN5-910	F12	62	17
11216-KPH-900	G3	69	5	14100-KPG-T00	F4	54	2	18292-KGH-901	K1	130	2	23211-KPH-900	G7	73	1
11217-KPH-900	G3	69	6	14125-KPG-T00	F1	51	9	18320-KVL-T10	K1	130	4	23221-KPH-900	G7	73	2
11330-KPH-650	F9	59	1	14126-KPG-T00	F1	51	10	18330-KVL-T10	K1	130	5	23415-KPH-900	G7	73	3
11330-KPH-651	F9	59	1	14311-KPH-900	G5	71	9	18345-MBT-610	J16	129	2	23421-KPH-900	G7	73	4
11341-KPH-700	F15	65	1	14321-KPH-900	F7	57	1	18350-KPH-E20	J16	129	3	23431-KPH-700	G7	73	5
11341-KPH-900	F15	65	1	14401-KPH-900	F7	57	2	18355-KPH-700	J16	129	4	23431-KPH-900	G7	73	5
11360-KPH-900	F15	65	2	14401-KSS-931	F7	57	2	18355-KPH-900	J16	129	4	23441-KPH-900	G7	73	6
11360-KTM-640	F15	65	2	14401-KTM-971	F7	57	2	18421-KBA-900	K4	133	1	23451-KPH-700	G7	73	7
11370-KPH-900	F9	59	2	14430-KPH-900	F4	54	3					23451-KPH-900	G7	73	7
11394-KPH-900	F9	59	3	14451-KPH-900	F4	54	4	18422-KPH-900	K4	133	2	23461-KPH-900	G7	73	8
11394-KPH-901	F9	59	3	14452-KPH-900	F4	54	5					23471-KPH-700	G7	73	9
11395-KPH-900	F15	65	3	14510-KPH-880	F7	57	3					23471-KPH-901	G7	73	9
11395-KPH-901	F15	65	3	14515-KGH-900	F7	57	4					23481-KPH-700	G7	73	10
				14520-KGH-601	F7	57	5	22000				23481-KPH-900	G7	73	10
12000				14520-KSS-901	F7	57	5	22100-KPH-880	F13	63	1	23801-KPH-900	G7	73	11
12100-KPH-900	F8	58	1	14560-KGH-900	F7	57	6	22115-KPH-900	F13	63	2	23802-GN5-910	G7	73	12
12191-KPH-900	F8	58	2	14610-KPH-900	F7	57	7	22116-KPH-900	F13	63	3	23911-KPH-900	G7	73	13
12191-KPH-901	F8	58	2	14610-KPH-900	F7	57	7	22121-KPH-900	F13	63	4				
12195-KPH-900	F8	58	3	14721-KPH-880	F4	54	7	22201-KPH-900	F13	63	5	24000			
12196-KPH-900	F8	58	4	14751-KPH-900	F4	54	8	22321-KE8-000	F13	63	6	24211-KPH-900	G11	77	1
12197-KPH-900	F8	58	5	14771-GB4-680	F4	54	9	22350-KPH-900	F13	63	7	24212-KPH-900	G11	77	2
12200-KPH-740	F1	51	1	14775-KFM-900	F4	54	10	22361-KPH-900	F13	63	8	24241-KPH-900	G11	77	3
12200-KTM-840	F1	51	1	14776-KPH-900	F4	54	11	22361-KTM-950	F13	63	8	24301-KPH-900	G11	77	4
12209-GB4-681	F4	54	1	14781-MA6-000	F4	54	12	22401-KPH-900	F13	63	9	24305-KPH-900	G7	73	14
12211-KFM-900	F1	51	2					22535-KPH-305	F11	61	3	24306-KPH-900	G7	73	15
12211-KPH-900	F1	51	3					22535-KPH-309	F11	61	3				
12237-KPH-305	F1	51	4												
12251-KPH-901	F1	51	5												
				17000				17110-KPW-860	F1	51	13				
								17210-KPH-900	J15	128	1				

4

PART NO. INDEX

Part Number	Address	Page	Ref.	Part Number	Address	Page	Ref.	Part Number	Address	Page	Ref.	Part Number	Address	Page	Ref.	Part Number	Address	Page	Ref.
24410-KPH-900	G11	77	5	31120-KTM-962	F16	66	2	33402-KVL-T11	L2	147	1		H5	86	2	37213-KTM-881	H4	85	7
24421-KPH-900	G11	77	6	31120-KVL-T01	F16	66	2	33403-KPH-701	L1	146	5	34909-KVR-600	H7	88	1	37213-KVR-601	H7	88	7
24430-KPH-900	G11	77	7	31120-KVL-T10	F16	66	2	33403-KPH-B31	K16	145	2					37215-KVL-911	H5	86	8
24430-KPH-901	G11	77	7	31200-KPW-901	G2	68	1	33404-KVL-T11	L2	147	2	35000				37221-KTM-881	H4	85	8
24435-KPH-900	G11	77	8	31201-KPW-901	G2	68	2	33406-KTM-881	K16	145	3					37224-KTM-881	H4	85	9
24610-KPH-900	G11	77	9	31204-KG8-004	G2	68	3	33407-KPH-701	L1	146	6	35010-KPH-900	L14	159	3	37224-KTM-891	H4	85	9
24630-KPH-900	G11	77	10	31205-KPW-901	G2	68	4	33410-KVL-T11	L2	147	3	35010-KTM-950	L15	160	1	37224-KVL-911	H5	86	9
24641-KPH-900	G11	77	11	31206-KPW-901	G2	68	5	33450-KPH-701	L1	146	7	35010-KVL-T00	L16	161	1	37224-KVL-921	H5	86	9
24651-KPH-900	G11	77	12	31207-MBE-008	G2	68	6	33452-KPH-701	L1	146	8	35011-KPH-700	L15	160	2	37224-KVL-T01	H7	88	8
24652-KPH-900	G11	77	13	31500-KPH-B31	L7	152	1	33452-KPH-B31	K16	145	4	35011-KVB-900	L16	161	2	37224-KVL-T21	H7	88	8
24701-KTM-880	K3	132	1		L8	153	1	33452-KVL-T11	L2	147	4	35100-KPH-901	L14	159	4	37302-KVL-T11	H7	88	9
				31500-KRS-691	L7	152	1	33453-KPH-701	L1	146	9	35100-KTM-951	L15	160	3	37305-KE5-008	H4	85	10
28000					L8	153	1	33453-KPH-B31	K16	145	5	35100-KVB-901	L16	161	3		H5	86	10
				31500-KWB-601	L8	153	1	33456-KTM-881	K16	145	6	35121-KPH-700	L15	160	4		H8	89	10
28110-KPH-700	G1	67	1	31600-KGH-731	L12	157	5	33457-KPH-701	L1	146	10	35121-KV8-680	L14	159	5	37801-GA7-700	J3	116	8
28110-KPH-900	G1	67	1	31600-KPW-901	L9	154	5	33460-KVL-T11	L2	147	5	35121-KVB-900	L16	161	4	37802-GA7-700	J3	116	9
28120-KPH-701	G1	67	2	31600-KTM-841	L10	155	5	33619-459-840	J16	129	5	35122-KV8-680	L14	159	5	37802-KTL-740	J3	116	9
28120-KPH-901	G1	67	2	31916-KPH-901	F1	51	15	33700-KPH-701	L4	149	1	35160-KPH-971	H12	93	1				
28131-KPH-880	G1	67	3	31917-KPH-900	F1	51	15	33700-KPH-901	L3	148	1		H14	95	1	38000			
28132-KPH-900	G1	67	4	31917-KPH-901	F1	51	15	33700-KVL-T11	L6	151	1	35160-KVB-851	I2	99	23				
28133-KPH-900	G1	67	5	31926-KPH-901	F1	51	15	33701-KPH-901	L3	148	2	35170-KPH-651	H12	93	2	38110-KPH-651	L9	154	9
28211-KPH-900	G13	79	1	31927-KPH-901	F1	51	15	33701-KVL-T11	L6	151	2		H14	95	2		L12	157	8
28221-KPH-900	G13	79	2					33702-KPH-701	L4	149	2		I1	98	1	38110-KPH-700	L10	155	10
28251-KPH-900	G13	79	3	32000				33702-KPH-901	L3	148	3	35180-KPH-971	H12	93	3	38301-KK4-024	H4	85	11
28262-KPH-900	G13	79	4					33702-KVL-T11	L6	151	3		H14	95	3		H8	89	11
28265-KPH-900	G13	79	5	32100-KPH-650	L9	154	6	33703-KPH-701	L4	149	3		I1	98	2		L10	155	11
28271-KPH-900	G13	79	6	32100-KPH-660	L9	154	6	33704-KPH-701	L4	149	4	35180-KVB-851	I1	98	2	38306-KK4-000	H4	85	12
28281-KPH-900	G13	79	7	32100-KTM-840	L10	155	6	33705-KW7-900	L3	148	4	35200-KPH-971	H14	95	4		H8	89	12
28282-KPH-900	G13	79	8	32100-KVL-920	L10	155	6		L4	149	5		I1	98	3		L10	155	12
28300-KPH-900	K3	132	2	32100-KVL-T10	L12	157	6		L6	151	4	35200-KPW-901	H12	93	4	38501-KPH-901	L9	154	10
28311-342-000	K3	132	3	32100-KYL-730	L12	157	6	33706-KPH-701	L4	149	6	35340-KGH-901	H10	91	1		L10	155	13
				32100-KYL-770	L12	157	6	33707-KPH-701	L4	149	7	35350-KPH-B31	K3	132	4		L13	158	18
				32103-KPH-901	L9	154	7	33710-KPH-901	L3	148	5	35357-KCC-900	K3	132	5	40000			
30000					L10	155	7	33710-KVL-T11	L6	151	5	35750-KPH-900	G3	69	8				
30401-KPH-650	L9	154	1	32103-KPH-911	L9	154	7	33741-KAN-961	L4	149	8	35751-KPH-900	G11	77	14				
	L10	155	1		L10	155	7	33752-KPH-701	L4	149	9	35752-KPH-900	G11	77	15	40510-KPH-900ZA	K9	138	1
	L12	157	1	32103-KVL-T00	L13	158	16								40510-KTM-730	K11	140	1	
30410-KPW-901	L9	154	2	32103-KVL-T10	L12	157	7	34000				37000			40520-KPH-900ZA	K9	138	2	
	L10	155	2	32161-KRS-600	L10	155	8								40530-KPH-702	K9	138	3	
30410-KPY-711	L12	157	2	32404-KPH-701	L1	146	1	34901-KPH-881	H3	84	4	37010-KTL-740	J3	116	7		K11	140	2
30500-KPH-650	L9	154	3	32405-KPH-701	L1	146	2	34901-KPH-901	H1	82	3	37080-KPH-650	J3	116	7	40530-KPH-901	K9	138	3
	L10	155	3	32410-KPH-900	L9	154	8	34901-KRS-901	H2	83	3	37121-ML7-671	H5	86	3		K11	140	2
30500-KVL-T10	L12	157	3		L10	155	9	34901-KVY-901	H3	84	4	37200-KTM-881	H4	85	4	40530-KYL-841	K11	140	2
30700-KPH-900	L9	154	4		L13	158	17	34905-KAN-W01	L2	147	6	37200-KTM-891	H4	85	4	40530-KYL-842	K11	140	2
	L10	155	4	32961-KPH-900	F16	66	3		L3	148	6	37200-KVL-911	H5	86	4	40531-KPH-702	K9	138	4
30700-KPH-901	L10	155	4						L4	149	10	37200-KVL-921	H5	86	4		K11	140	3
	L12	157	4	33000					L6	151	6	37200-KVL-T21	H7	88	3	40531-KPH-901	K9	138	4
30701-883-000	J5	118	1					34905-KPH-901	K16	145	7	37200-KYL-731	H7	88	3		K11	140	3
				33110-KPH-701	H2	83	1		L1	146	11	37200-KYL-771	H7	88	3	40531-KWB-602	K11	140	3
31000				33110-KVL-T11	H3	84	1	34906-GB6-921	L3	148	7	37210-KTM-881	H4	85	5	40543-KEV-900	I12	109	2
				33118-KTL-741	H3	84	2		L4	149	11	37210-KVL-911	H5	86	5		I13	110	2
31110-KPG-T01	F16	66	1	33120-KPH-B31	H1	82	1		L6	151	7	37210-KVL-T11	H7	88	4		I14	111	4
31110-KPW-901	F16	66	1	33130-KPH-701	H2	83	2	34908-GA7-701	H4	85	1	37210-KYL-731	H7	88	4		J1	114	4
31110-KPW-912	F16	66	1	33130-KTM-881	H1	82	2		H7	88	1	37211-KTM-841	H5	86	6	40545-001-000	K9	138	5
31110-KPY-711	F16	66	1	33130-KVL-T11	H3	84	3	34908-KVE-900	H7	88	2	37211-KVL-T11	H7	88	5	40591-KPH-900	K9	138	6
31110-KTM-841	F16	66	1	33130-KYL-730	H3	84	3	34908-MB9-871	H4	85	2	37212-KTM-881	H4	85	6				
31120-KPW-901	F16	66	2	33400-KPH-701	L1	146	3		H5	86	1	37212-KVL-911	H5	86	7	41000			
31120-KPW-912	F16	66	2	33402-KPH-701	L1	146	4		H7	88	2	37212-KVL-T11	H7	88	6				
31120-KTM-951	F16	66	2	33402-KPH-B31	K16	145	1	34908-MG9-951	H4	85	3	37212-KYL-731	H7	88	6	41201-KPH-721	I14	111	5



PART NO. INDEX

Part Number	Address	Page	Ref.	Part Number	Address	Page	Ref.	Part Number	Address	Page	Ref.	Part Number	Address	Page	Ref.	Part Number	Address	Page	Ref.	
41201-KPH-721	J1	114	5	43459-GN5-760	K3	132	7	45157-KAN-850	H10	91	4									
41201-KPH-971	I14	111	5					45157-KWV-A00	H11	92	24	50705-KVR-600	K6	135	10					
41201-KVL-910	I14	111	5	44000				45215-KPH-951	I8	105	11	50706-KVR-600	K6	135	11	53105-KPH-950	H12	93	8	
								45216-166-006	I8	105	12	50710-GN5-830	K4	133	8					
42000				44301-KPH-900	I9	106	3	45250-KPH-951	I8	105	13									
				44301-KWB-600	I9	106	3	45250-KTL-671	I8	105	13	50711-GN5-730	K4	133	9	53106-KR3-000	H12	93	9	
42301-KPG-900	I12	109	3					45251-KPH-702	I10	107	14									
	I13	110	3	44311-KPH-900	I9	106	4	45251-KPH-951	I10	107	14	50713-KRS-690	K4	133	10					
42303-KAN-T40	I14	111	6					45251-KTM-751	I10	107	14									
	J1	114	6	44620-KPH-650	I9	106	5					50714-GN5-830	K4	133	11	53108-KR3-770	H12	93	10	
42304-KFM-900	I14	111	7					45251-KTM-752	I10	107	14	50714-KRS-690	K4	133	11					
	J1	114	7	44635-KPH-650ZA	I9	106	6													
	J1	114	7	44635-KYL-730ZA	I9	106	6	45290-KPH-951	I8	105	14	50715-KPH-700	K4	133	12	53109-KPH-900	H12	93	11	
42313-GBG-B20	I13	110	4	44650-KTM-880ZA	I9	106	7	45465-KPH-650	I3	100	3	50715-KPH-900	K4	133	12	53120-KPH-650	H12	93	12	
42615-KPH-900	I14	111	8	44650-KTM-881ZA	I9	106	7	45504-410-003	H10	91	5	50715-KVL-910ZA	K5	134	12	53120-KTM-840	H14	95	12	
42615-KYL-840	I14	111	8	44650-KVR-V30ZA	I11	108	7	45510-KFL-D31	H10	91	6	50716-KPH-700	K5	134	13	53140-KPH-970	H9	90	5	
	J1	114	8	44650-KYL-730ZA	I9	106	7	45512-MA6-006	H10	91	7	50716-KPH-900	K5	134	13	53166-KFL-D20	H9	90	6	
42620-KFL-850	I14	111	9	44680-166-000	I9	106	8	45513-GW0-911	H10	91	8	50716-KVL-910ZA	K5	134	13	53167-KFM-900	H9	90	7	
	J1	114	9					45517-GW0-751	H10	91	9									
42635-KPH-900ZA	I14	111	10					45520-GW0-911	H10	91	10	51000				53175-KET-921	H10	91	13	
42635-KYL-730ZA	I15	112	10	44711-KPH-971	I9	106	9	45521-GW0-911	H10	91	11					53175-KRS-T80	H10	91	13	
42650-KPH-970ZA	I15	112	11					45530-471-831	H10	91	12	51400-KTM-881	I7	104	1	53200-KTM-880ZA	H12	93	13	
42650-KWV-D10ZA	J1	114	11	44711-KTM-972	I10	107	9					51400-KVL-M21	I7	104	1	53200-KTM-880ZB	H12	93	13	
42650-KYL-730ZA	I15	112	11									51401-KPH-971	I7	104	2	53200-KTM-880ZC	H12	93	13	
42653-001-004	I15	112	12	44713-KFM-901	I10	107	10	46000				51410-KTM-881	I7	104	3	53200-KTM-880ZD	H12	93	13	
	J1	114	12					46500-KPH-B00	K3	132	8	51412-GN5-901	I7	104	4	53206-KPH-651	H12	93	14	
42701-KPH-970	I15	112	13	44800-KPH-651	I10	107	11	46513-KBP-900	K3	132	9	51420-KPH-651	I7	104	5	53206-KPH-700	H14	95	13	
42701-KW7-900	I9	106	1					46514-MK4-000	K3	132	10	51420-KVL-T01	I7	104	5	53206-KVL-T10	I1	98	9	
42701-KW7-901	I9	106	1	44806-KGH-901	I10	107	12					51425-GN5-901	I7	104	6	53207-KPH-900	H12	93	15	
42711-KPH-971	I15	112	14									51437-KGH-901	I7	104	7					
	J1	114	14	44809-KFM-900	I10	107	13	50000				51454-KEV-881	I7	104	8					
42711-KTM-972	I15	112	14					50100-KTM-880	L14	159	6	51456-KPH-901	I7	104	9	53207-KTM-840	H15	96	15	
	J1	114	14	44830-KTM-840	H5	86	11	50100-KVL-910	L15	160	5	51466-065-901	I7	104	10	53208-KVL-M20ZA	N3	180	1	
42712-KFM-901	I9	106	2	44830-KTM-880	H4	85	13	50100-KVL-M20	L16	161	5	51470-KPH-971	I7	104	11	53208-KVL-M20ZB	N3	180	1	
	I11	108	2	44830-KVL-T10	H8	89	13	50100-KYL-730	L16	161	5	51490-KGH-901	I7	104	12	53208-KVL-M20ZC	N3	180	1	
	I15	112	15	44831-KPH-650	H8	89	14	50301-GN5-901	I3	100	4	51500-KTM-881	I7	104	13	53209-GAH-000	H2	83	4	
	J1	114	15	44831-KTM-840	H5	86	12	50302-GN5-900	I3	100	5	51500-KVL-M21	I7	104	13	53209-KVL-M20ZA	N3	180	2	
42712-KTM-972	I9	106	2	44831-KTM-880	H4	85	14	50306-GN5-900	I3	100	6	51520-KPH-651	I7	104	14	53209-KVL-M20ZB	N3	180	2	
	I11	108	2					50381-KPH-900	L7	152	2	51520-KVL-T01	I7	104	14	53209-KVL-M20ZC	N3	180	2	
	I15	112	15	45000				50381-KTL-740	L8	153	2					53211-GN5-900	I3	100	7	
	J1	114	15					50400-KVR-600	J7	120	1	52000				53212-GN5-900	I3	100	8	
42713-001-000	I10	107	10	45107-GE2-006	I8	105	5	50500-KPH-E20	K8	137	1	52170-KPH-720	K11	140	5	53214-GN5-900	I3	100	9	
42713-102-005	I15	112	16	45108-KPH-951	I8	105	6	50512-KPH-900	K8	137	2	52200-KPH-700ZA	K9	138	7	53219-KPH-E20	I3	100	10	
				45111-MAJ-G41	I8	105	7	50523-KPH-900	K8	137	3	52200-KPH-900ZA	K9	138	7	53220-GN5-850	I3	100	11	
				45126-KPH-881	H10	91	2	50524-397-000	K8	137	4	52200-KPH-900ZA	K9	138	7	53250-KVL-910ZA	H15	96	16	
				45126-KTL-751	H10	91	2	50530-KPH-E20	K8	137	5	52200-KVL-T00ZA	K11	140	6	53250-KVL-910ZB	H15	96	16	
43100-KPH-700ZA	I13	110	5	45126-KTM-851	H10	91	2	50605-KPH-900	K4	133	3	52400-KTM-881	K13	142	1	53250-KVL-910ZC	H15	96	16	
43100-KPH-700ZC	I13	110	5	45126-KYL-730	H10	91	2					52400-KVL-M21	K13	142	1	53250-KVL-910ZD	H15	96	16	
43100-KPH-900ZA	I12	109	4	45131-GZ0-006	I8	105	8	50605-KVR-600	K6	135	4	52485-088-901	K13	142	3	53250-KVL-910ZE	H15	96	16	
43141-GC5-000	I12	109	5	45132-166-016	I8	105	9	50610-KPH-900	K4	133	4	52485-GA7-003	K13	142	2	53250-KVL-910ZF	H15	96	16	
43141-GC5-003	I12	109	5	45133-028-000	I12	109	9					52486-GA7-003	K13	142	4	53250-KVL-910ZG	H15	96	16	
	I13	110	6													53250-KVL-910ZH	H15	96	16	
43352-568-003	I8	105	3	45133-MA3-006	I8	105	10	50612-KPH-900	K4	133	5					53250-KVL-910ZJ	H15	96	16	
43353-461-771	I8	105	4	45134-250-000	I12	109	8					53000				53250-KVL-910ZL	H15	96	16	
43410-KPH-900	I12	109	6					50613-KFL-850	H12	93	5	53100-KPH-650	H12	93	6	53250-KVL-M20ZA	I1	98	11	
	I13	110	7	45145-KFM-900	I12	109	9									53250-KVL-M20ZB	I1	98	11	
43431-KPH-700	K10	139	12									53100-KTM-840	H14	95	6	53250-KVL-M20ZC	I1	98	11	
	K11	140	4	45156-KPH-950	H10	91	3					53100-KTM-840	H14	95	6	53250-KYL-730ZA	I2	99	11	
43434-ME1-670	I13	110	8	45156-KTL-750	H10	91	3					53100-KVL-T00	I1	98	4	53250-KYL-770ZA	I2	99	11	
43451-KPH-900	K3	132	6	45156-KYL-840	H11	92	23	50661-GN8-920	K4	133	7	53104-KPH-950	H12	93	7	53250-KYL-770ZB	I2	99	11	

PART NO. INDEX

Part Number	Address	Page	Ref.	Part Number	Address	Page	Ref.	Part Number	Address	Page	Ref.	Part Number	Address	Page	Ref.
53250-KYL-770ZC I2		99	11	64200-KVL-M30ZA M5		166	1	64300-KYL-770ZC M10		171	3	64600-KYL-730ZA J13		126	3
				64200-KVL-M30ZB M5		166	1	64310-KPH-700YB M6		167	5	64600-KYL-730ZB J13		126	3
61000				64200-KVL-M30ZC M5		166	1	64310-KPH-700ZC M6		167	5	64600-KYL-730ZC J13		126	3
				64200-KVL-M40ZA M6		167	2	64310-KPH-700ZM M6		167	5	64600-KYL-750ZA J13		126	3
61100-KPH-700YA I5		102	1	64200-KVL-M40ZB M6		167	2	64310-KPH-700ZU M7		168	5	64600-KYL-750ZB J13		126	3
61100-KPH-700YB I5		102	1	64200-KVL-M40ZC M6		167	2	64310-KPH-900YD M3		164	4	64600-KYL-750ZC J13		126	3
61100-KPH-700ZL I5		102	1	64200-KYL-730ZA M9		170	1	64310-KPH-900ZJ M3		164	4	64650-KTM-880ZA J9		122	4
61100-KPH-700ZM I5		102	1	64200-KYL-730ZB M9		170	1	64311-KPH-900 M3		164	5	64650-KTM-880ZB J9		122	4
61100-KPH-700ZN I5		102	1	64221-KPH-700 L15		160	6	64311-KTM-950 M7		168	6	64650-KTM-880ZC J9		122	4
61100-KPH-700ZP I5		102	1	64221-KPH-950 L14		159	7	64312-KPH-900 M3		164	6	64650-KTM-880ZE J9		122	4
61100-KPH-700ZQ I5		102	1	64221-KVL-T00 L16		161	6	64312-KTM-950 M7		168	7	64650-KVL-910ZA J10		123	4
61100-KPH-700ZV I5		102	1	64221-KYL-730 L16		161	6	64320-KPH-700 M7		168	8	64650-KVL-910ZB J10		123	4
61100-KPH-700ZW I5		102	1	64250-KTM-880ZA M2		163	2	64320-KPH-900 M3		164	7	64650-KVL-910ZC J10		123	4
61100-KPH-900YA I5		102	1	64250-KTM-880ZB M2		163	2	64320-KVL-T10 M10		171	4	64650-KVL-910ZD J10		123	4
61100-KPH-900ZK I5		102	1	64250-KTM-880ZC M3		164	2	64325-KPH-650 M3		164	8	64650-KVL-M00ZA J10		123	4
61100-KPH-900ZX I5		102	1	64250-KTM-880ZD M3		164	2	64325-KPH-700 M7		168	9	64650-KVL-M00ZB J10		123	4
61100-KPH-900ZY I5		102	1	64250-KTM-890ZA M2		163	2	64340-KPH-700 J10		123	1	64650-KVL-M00ZC J10		123	4
61100-KVR-600ZF I5		102	1	64250-KTM-890ZB M2		163	2	64350-KVL-T10 J13		126	1	64650-KVL-M20ZA J13		126	4
61100-KVR-600ZU I5		102	1	64250-KTM-890ZC M2		163	2	64360-KVL-T10 J13		126	2	64650-KVL-M20ZB J13		126	4
61100-KVR-600ZV I5		102	1	64250-KTM-890ZD M2		163	2	64415-KPH-B30 J9		122	1	64650-KVL-M20ZC J13		126	4
61100-KVR-600ZX I5		102	1	64250-KVL-910ZA M6		167	3			123	2	64650-KVL-M30ZA J10		123	4
61100-KVR-600ZY I5		102	1	64250-KVL-910ZB M6		167	3	64416-KPH-900 J9		122	2	64650-KVL-M30ZC J10		123	4
61105-KEV-900 L9		154	11	64250-KVL-910ZC M6		167	3	64435-KPH-700 M7		168	10	64650-KVL-M30ZD J10		123	4
	L11	156	14	64250-KVL-910ZD M6		167	3	64435-KPH-900 M3		164	9	64650-KYL-730ZA J13		126	4
	L12	157	9	64250-KVL-920ZA M6		167	4	64445-KPH-700 M7		168	11	64650-KYL-730ZB J13		126	4
61106-KW6-840 L9		154	12	64250-KVL-920ZB M6		167	4	64445-KPH-900 M3		164	10	64650-KYL-730ZC J13		126	4
	L11	156	15	64250-KVL-920ZC M6		167	4	64500-KPH-700YA M7		168	12	64650-KYL-750ZA J13		126	4
	L12	157	10	64250-KVL-920ZD M6		167	4	64500-KPH-700YB M8		169	12	64650-KYL-750ZB J13		126	4
61200-KPH-700 I5		102	2	64250-KVL-M00ZA M6		167	3	64500-KPH-700ZL M7		168	12	64650-KYL-750ZC J13		126	4
61200-KPH-900 I5		102	2	64250-KVL-M00ZB M6		167	3	64500-KPH-700ZM M7		168	12	64700-KTM-880ZA M3		164	12
61200-KTL-740 I6		103	2	64250-KVL-M00ZC M6		167	3	64500-KPH-700ZN M7		168	12	64700-KTM-880ZB M3		164	12
				64250-KVL-M10ZA M6		167	4	64500-KPH-700ZP M7		168	12	64700-KTM-880ZC M3		164	12
				64250-KVL-M10ZB M6		167	4	64500-KPH-700ZQ M7		168	12	64700-KTM-880ZD M3		164	12
				64250-KVL-M10ZC M6		167	4	64500-KPH-700ZV M7		168	12	64700-KYL-910ZA M8		169	14
				64250-KVL-M20ZA M9		170	2	64500-KPH-700ZW M7		168	12	64700-KVL-M00ZA M8		169	14
64200-KTM-880ZA M2		163	1	64250-KVL-M20ZB M9		170	2	64510-KEV-900 M3		164	11	64700-KVL-M00ZB M8		169	14
64200-KTM-880ZB M2		163	1	64250-KVL-M20ZC M9		170	2			169	13	64700-KVL-M00ZC M8		169	14
64200-KTM-880ZC M2		163	1	64250-KVL-M20ZD M9		170	2			171	5	64700-KVL-M20ZA M10		171	7
64200-KTM-880ZD M2		163	1	64250-KVL-M30ZA M6		167	3			171	6	64700-KVL-M20ZB M10		171	7
64200-KTM-890ZA M2		163	1	64250-KVL-M30ZB M6		167	3	64511-KVL-T10 M10		171	6	64700-KVL-M20ZC M10		171	7
64200-KTM-890ZB M2		163	1	64250-KVL-M30ZC M6		167	3	64521-MN5-000 H12		93	16	64700-KVL-M20ZD M10		171	7
64200-KTM-890ZC M2		163	1	64250-KVL-M40ZA M6		167	4			96	17	64700-KVL-M30ZA M8		169	14
64200-KTM-890ZD M2		163	1	64250-KVL-M40ZB M6		167	4			99	12	64700-KVL-M30ZB M8		169	14
64200-KVL-910ZA M5		166	1	64250-KVL-M40ZC M6		167	4	64600-KTM-880ZA J9		122	3	64700-KVL-M30ZC M8		169	14
64200-KVL-910ZB M5		166	1	64250-KYL-730ZA M9		170	2	64600-KTM-880ZB J9		122	3	64700-KYL-730ZA M10		171	7
64200-KVL-910ZC M5		166	1	64250-KYL-730ZB M9		170	2	64600-KTM-880ZC J9		122	3	64700-KYL-730ZB M10		171	7
64200-KVL-910ZD M5		166	1	64300-KTM-880ZA M3		164	3	64600-KTM-880ZE J9		122	3	64700-KYL-730ZC M10		171	7
64200-KVL-920ZA M5		166	2	64300-KTM-880ZB M3		164	3	64600-KVL-910ZA J10		123	3	64700-KYL-730ZD M10		171	7
64200-KVL-920ZB M5		166	2	64300-KTM-880ZC M3		164	3	64600-KVL-910ZB J10		123	3	64700-KYL-730ZE M10		171	7
64200-KVL-920ZC M5		166	2	64300-KTM-880ZD M3		164	3	64600-KVL-910ZC J10		123	3	64700-KYL-730ZF M10		171	7
64200-KVL-920ZD M5		166	2	64300-KVL-M20ZA M9		170	3	64600-KVL-910ZD J10		123	3	64750-KTM-880ZA M3		164	13
64200-KVL-M00ZA M5		166	1	64300-KVL-M20ZB M9		170	3	64600-KVL-M00ZA J10		123	3	64750-KTM-880ZB M4		165	13
64200-KVL-M00ZB M5		166	1	64300-KVL-M20ZC M9		170	3	64600-KVL-M00ZB J10		123	3	64750-KTM-880ZC M4		165	13
64200-KVL-M00ZC M5		166	1	64300-KYL-730ZA M9		170	3	64600-KVL-M00ZC J10		123	3	64750-KTM-880ZD M4		165	13
64200-KVL-M10ZA M6		167	2	64300-KYL-730ZB M10		171	3	64600-KVL-M20ZA J13		126	3	64750-KVL-910ZA M8		169	15
64200-KVL-M10ZB M6		167	2	64300-KYL-730ZC M10		171	3	64600-KVL-M20ZB J13		126	3	64750-KVL-M00ZA M8		169	15
64200-KVL-M10ZC M6		167	2	64300-KYL-730ZD M10		171	3	64600-KVL-M20ZC J13		126	3	64750-KVL-M00ZB M8		169	15
64200-KVL-M20ZA M9		170	1	64300-KYL-730ZE M10		171	3	64600-KVL-M30ZA J10		123	3	64750-KVL-M00ZC M8		169	15
64200-KVL-M20ZB M9		170	1	64300-KYL-770ZA M10		171	3	64600-KVL-M30ZC J10		123	3	64750-KVL-M20ZA M10		171	8
64200-KVL-M20ZC M9		170	1	64300-KYL-770ZB M10		171	3	64600-KVL-M30ZD J10		123	3	64750-KVL-M20ZB M10		171	8

Part Number	Address	Page	Ref.
75000			
75581-GN8-920	J4	117	1
	J7	120	2
77000			
77106-KPG-900	L7	152	3
77115-KPH-900	J4	117	2
	J5	118	2
	J7	120	3
77200-KPH-720	J4	117	3
77200-KVL-910	J5	118	3
77200-KVL-T10	J7	120	4
77201-KPH-900	J4	117	4
	J5	118	4
	J7	120	5
77208-KPW-900	M4	165	14
77214-KPH-900	J4	117	5
	J5	118	5
77215-KW7-900	J5	118	6
77228-GBG-850	M4	165	15
	J7	120	6
	M8	169	16
	M10	171	9
77230-KPH-701	J5	118	7
77230-KPH-900	J4	117	6
77230-KTL-741	J7	120	7



PART NO. INDEX

Part Number	Address	Page	Ref.	Part Number	Address	Page	Ref.	Part Number	Address	Page	Ref.	Part Number	Address	Page	Ref.
77234-GN2-000	J4	117	7	86000				87101-KTM-880ZA M13		174	1	87104-KVL-M30ZA N5		182	4
	J7	120	8					87101-KTM-880ZB M13		174	1	87104-KVL-M30ZB N5		182	4
77236-GET-000	J5	118	8	86150-KPG-901	H6	87	13	87101-KTM-880ZC M13		174	1	87104-KVL-M30ZC N5		182	4
77236-GW0-000	J4	117	8		H8	89	15	87101-KTM-880ZD M13		174	1	87105-KVL-910ZA M15		176	5
	J7	120	9		H12	93	17	87101-KVL-910ZA M15		176	1	87105-KVL-910ZB M15		176	5
77240-KPH-691	J7	120	10	86150-KPG-902	H6	87	13	87101-KVL-M00ZA N1		178	1	87105-KVL-910ZC M15		176	5
77240-KPH-901	J4	117	9	86531-KYL-730ZA N7		184	1	87101-KVL-M00ZB N1		178	1	87105-KVL-910ZD M15		176	5
77241-KPH-700	J5	118	9	86531-KYL-730ZB N7		184	1	87101-KVL-M00ZC N1		178	1	87105-KVL-M00ZA N1		178	5
				86532-KYL-750ZA N7		184	2	87101-KVL-M20ZA N3		180	4	87105-KVL-M00ZB N1		178	5
80000				86532-KYL-750ZB N7		184	2	87101-KVL-M20ZB N3		180	4	87105-KVL-M00ZC N1		178	5
				86532-KYL-750ZC N7		184	2	87101-KVL-M20ZC N3		180	4	87105-KVL-M20ZA N4		181	8
80100-KPH-700	K14	143	1	86533-KYL-750ZA N7		184	3	87101-KVL-M30ZA N5		182	1	87105-KVL-M20ZB N4		181	8
80100-KPH-900	K14	143	1	86533-KYL-750ZB N7		184	3	87101-KVL-M30ZB N5		182	1	87105-KVL-M20ZC N4		181	8
80110-KVL-T20ZA	K15	144	1	86533-KYL-750ZC N7		184	3	87101-KVL-M30ZC N5		182	1	87105-KVL-M30ZA N5		182	5
				86641-KYL-730ZA N7		184	4	87102-KTM-880ZA M13		174	2	87105-KVL-M30ZB N5		182	5
81000				86641-KYL-730ZB N7		184	4	87102-KTM-880ZB M13		174	2	87106-KTM-880ZA M13		174	5
				86642-KYL-730ZA N7		184	5	87102-KTM-880ZC M13		174	2	87106-KTM-880ZB M13		174	5
81218-KPG-940	M12	173	1	86642-KYL-730ZB N7		184	5	87102-KTM-880ZD M13		174	2	87106-KTM-880ZC M14		175	5
81250-KPH-900	L7	152	4	86642-KYL-730ZC N7		184	5	87102-KVL-910ZA M15		176	2	87106-KTM-880ZD M14		175	5
81250-KTL-740	L8	153	3	86642-KYL-730ZD N7		184	5	87102-KVL-M00ZA N1		178	2	87106-KVL-910ZA M16		177	6
81250-KVL-910	L7	152	4	86642-KYL-730ZE N7		184	5	87102-KVL-M00ZB N1		178	2	87106-KVL-910ZB M16		177	6
81253-KPH-900	L7	152	5	86643-KYL-730ZA N8		185	6	87102-KVL-M00ZC N1		178	2	87106-KVL-910ZC M16		177	6
	L8	153	4	86643-KYL-730ZB N8		185	6	87102-KVL-M20ZA N3		180	5	87106-KVL-910ZD M16		177	6
81257-KPH-900	L7	152	6	86643-KYL-730ZC N8		185	6	87102-KVL-M20ZB N3		180	5	87106-KVL-M00ZA N1		178	6
81311-KPH-900	M4	165	16	86643-KYL-730ZD N8		185	6	87102-KVL-M20ZC N3		180	5	87106-KVL-M00ZB N2		179	6
81312-KPH-900	I6	103	3	86643-KYL-730ZE N8		185	6	87102-KVL-M30ZA N5		182	2	87106-KVL-M00ZC N2		179	6
81313-KPH-900	M4	165	17	86644-KYL-730ZA N8		185	7	87102-KVL-M30ZB N5		182	2	87106-KVL-M20ZA N4		181	9
				86644-KYL-730ZB N8		185	7	87102-KVL-M30ZC N5		182	2	87106-KVL-M20ZB N4		181	9
83000				86644-KYL-730ZC N8		185	7	87103-KTM-880ZA M13		174	3	87106-KVL-M20ZC N4		181	9
				86644-KYL-730ZD N8		185	7	87103-KTM-880ZB M13		174	3	87106-KVL-M20ZC N4		181	9
83510-KPH-900YF	J9	122	5	86644-KYL-730ZE N8		185	7	87103-KTM-880ZC M13		174	3	87106-KVL-M30ZA N5		182	6
83510-KPH-900ZM	J9	122	5	86644-KYL-730ZF N8		185	7	87103-KTM-880ZD M13		174	3	87106-KVL-M30ZB N5		182	6
83510-KVR-600ZD	J13	126	5	86645-KYL-730ZA N8		185	8	87103-KVL-910ZA M15		176	3	87107-KTM-880ZA M14		175	6
83510-KVR-600ZR	J13	126	5	86645-KYL-730ZB N8		185	8	87103-KVL-910ZB M15		176	3	87107-KTM-880ZB M14		175	6
83510-KVR-600ZT	J13	126	5	86645-KYL-730ZC N8		185	8	87103-KVL-910ZC M15		176	3	87107-KTM-880ZC M14		175	6
83510-KVR-600ZU	J13	126	5	86645-KYL-730ZD N8		185	8	87103-KVL-910ZD M15		176	3	87107-KTM-880ZD M14		175	6
83510-KVR-600ZV	J14	127	5	86645-KYL-730ZE N8		185	8	87103-KVL-M00ZA N1		178	3	87107-KVL-910ZA M16		177	7
83510-KVR-600ZW	J14	127	5	86645-KYL-730ZF N8		185	8	87103-KVL-M00ZB N1		178	3	87107-KVL-910ZB M16		177	7
83551-GE2-000	K14	143	2	86646-KYL-730ZA N8		185	9	87103-KVL-M00ZC N1		178	3	87107-KVL-910ZC M16		177	7
83600-KVL-910ZA	J11	124	7	86646-KYL-730ZB N8		185	9	87103-KVL-M20ZA N4		181	6	87107-KVL-910ZD M16		177	7
83600-KVL-910ZB	J11	124	7	86646-KYL-730ZC N8		185	9	87103-KVL-M20ZB N4		181	6	87107-KVL-M00ZA N2		179	7
83600-KVL-910ZC	J11	124	7	86646-KYL-730ZD N8		185	9	87103-KVL-M20ZC N4		181	6	87107-KVL-M00ZB N2		179	7
83600-KVL-910ZD	J11	124	7	86646-KYL-730ZE N8		185	9	87103-KVL-M20ZC N4		181	6	87107-KVL-M00ZC N2		179	7
83600-KVL-M00ZA	J11	124	7	86646-KYL-730ZF N8		185	9	87103-KVL-M30ZA N5		182	3	87107-KVL-M30ZA N5		182	7
83600-KVL-M00ZB	J11	124	7	86646-KYL-730ZG N8		185	9	87103-KVL-M30ZB N5		182	3	87107-KVL-M30ZB N6		183	7
83600-KVL-M00ZC	J11	124	7	86647-KYL-730ZA N8		185	10	87103-KVL-M30ZC N5		182	3	87107-KVL-M30ZC N6		183	7
83600-KVL-M00ZE	J12	125	7	86647-KYL-730ZB N8		185	10	87104-KTM-880ZA M13		174	4	87108-KTM-880ZA M14		175	7
83600-KVL-M00ZG	J12	125	7	86647-KYL-730ZC N8		185	10	87104-KTM-880ZB M13		174	4	87108-KTM-880ZB M14		175	7
83601-MN5-000	K14	143	2	86647-KYL-730ZD N8		185	10	87104-KTM-880ZC M13		174	4	87108-KTM-880ZC M14		175	7
83642-171-000	M1	162	1	86647-KYL-730ZE N8		185	10	87104-KTM-880ZD M13		174	4	87108-KTM-880ZD M14		175	7
				86648-KYL-750ZA N8		185	11	87104-KVL-910ZA M15		176	4	87108-KVL-910ZA M16		177	8
84000				86649-KYL-730ZA N8		185	12	87104-KVL-910ZB M15		176	4	87108-KVL-910ZB M16		177	8
				86649-KYL-730ZB N8		185	12	87104-KVL-910ZC M15		176	4	87108-KVL-910ZC M16		177	8
84100-KPH-700ZA	J5	118	10					87104-KVL-910ZD M15		176	4	87108-KVL-910ZD M16		177	8
84100-KPH-B00ZA	J4	117	10	87000				87104-KVL-M00ZA N1		178	4	87108-KVL-M00ZA N2		179	8
84601-HA7-670	I6	103	4					87104-KVL-M00ZB N1		178	4	87108-KVL-M00ZB N2		179	8
				87100-KVL-M20ZA N3		180	3	87104-KVL-M00ZC N1		178	4	87108-KVL-M00ZC N2		179	8
				87100-KVL-M20ZB N3		180	3	87104-KVL-M20ZA N4		181	7	87108-KVL-M20ZA N4		181	10
				87100-KVL-M20ZC N3		180	3	87104-KVL-M20ZB N4		181	7	87108-KVL-M20ZB N4		181	10
								87104-KVL-M20ZC N4		181	7	87108-KVL-M20ZC N4		181	10

PART NO. INDEX

Part Number	Address	Page	Ref.	Part Number	Address	Page	Ref.	Part Number	Address	Page	Ref.	Part Number	Address	Page	Ref.	Part Number	Address	Page	Ref.
87130-KVL-M00ZB N2		179	14		I2	99	13	90302-SA4-003	M10	171	13	90544-283-000	I7	104	16	91251-KGH-902	I16	113	21
87130-KVL-T20ZA N4		181	13	90103-KPH-900	M4	165	18	90304-KGH-901	H13	94	20	90545-300-000	H11	92	17		J2	115	21
87130-KVL-T20ZB N4		181	13	90104-KPH-900	M4	165	19		H15	96	21	90563-KEV-750	K12	141	10	91251-KPH-901	I10	107	17
87130-KWY-750ZA N6		183	13		M8	169	17		I2	99	16	90601-001-000	G8	74	23		I11	108	17
87140-KVL-910ZA M16		177	14		M10	171	10	90304-KPH-700	J16	129	7	90603-KPH-900	F12	62	24	91258-410-013	I10	107	18
87140-KVL-910ZB M16		177	14	90105-KGH-900	I10	107	15	90304-KPH-900	J16	129	7	90605-166-720	F9	59	16		I11	108	18
87140-KVL-M00ZA N2		179	15		I11	108	15		K1	130	6		F12	62	25	91258-KGH-902	I10	107	18
87140-KVL-M00ZB N2		179	15	90105-KPH-900	J4	117	11	90306-KGH-901	I10	107	16	90605-200-000	G8	74	24		I11	108	18
		183	14		J5	118	11		I11	108	16		G13	79	11	91303-001-000	F9	59	20
		183	14		J7	120	11		I16	113	19	90605-KPS-900	G13	79	11	91303-377-000	F15	65	8
87505-KTM-880	M12	173	2	90106-GN5-900	H12	93	18		J1	114	19	90634-KPG-900	L8	153	6	91304-GB1-900	F2	52	21
87505-KVL-M20	M12	173	2		H15	96	19	90309-357-000	I16	113	20	90651-MA5-671	H11	92	18	91305-KPH-900	G3	69	14
87506-KGH-970	M12	173	3		I2	99	14		J1	114	20	90677-KAN-T00	J9	122	6	91306-MG3-000	F7	57	10
87513-KTL-M00ZA M12		173	5	90106-KPH-690	L15	160	7	90314-KFM-900	H9	90	12		J12	125	8	91307-035-000	F10	60	21
87560-KW7-950ZB M12		173	4		L16	161	7	90401-GB2-000	F12	62	20		J14	127	7	91309-425-003	G2	68	8
				90107-KAN-900	J16	129	6	90403-KPH-900	F13	63	12		K14	143	4	91320-MB0-000	G2	68	9
					M8	169	21	90407-259-000	G3	69	12		K15	144	3	91352-671-003	H4	85	17
88000				90107-KBP-900	M4	165	20	90412-187-000	G7	73	17		L6	151	8		H6	87	16
88113-KET-900	H9	90	9		M8	169	18	90412-KPH-900	G7	73	16		L7	152	8		H8	89	18
88210-KRS-970	H9	90	10	90107-KGH-600	M8	169	19	90431-GN5-910	F12	62	21		M4	165	24	91352-671-004	H4	85	17
88220-KRS-970	H9	90	11		M10	171	11	90432-086-000	F12	62	22		M8	169	24		H6	87	16
				90107-KPH-700	M8	169	20	90435-HB3-000	G11	77	17		M10	171	15		H8	89	18
				90108-223-000	K8	137	6	90439-SB2-010	F16	66	4	90683-GAZ-003	J9	122	7	91356-GM0-003	I7	104	17
				90108-KTL-740	J14	127	6	90441-286-000	F1	51	18	90702-KFM-900	F4	54	15	91356-KGH-901	F15	65	9
89000				90109-MZ5-008	H6	87	15	90441-KA4-700	G7	73	18		F9	59	17	91372-KPH-900	F2	52	22
89102-538-000	M1	162	2	90114-KGH-900	H10	91	15	90441-KRM-840	G7	73	18		F14	64	6	91509-GE2-760	H13	94	23
89103-538-000	M1	162	3	90114-KGH-900	H10	91	15	90441-ME9-000	F1	51	17		F15	65	7		H16	97	24
89212-KGH-900	M1	162	5	90115-KW7-900	M4	165	22	90442-147-000	H9	90	13	90741-003-010	G5	71	11		I2	99	19
89216-KPH-900	M1	162	6		M8	169	22	90443-107-000	F2	52	19						J9	122	8
89219-KGH-900	M1	162	7		M8	169	22	90443-844-000	F9	59	14						J12	125	9
				90116-KV3-701	I7	104	15	90443-KPH-900	F2	52	19	91000					J14	127	8
				90116-ME9-000	J15	128	10	90443-KTM-970	F2	52	19	91001-KPH-901	G6	72	12		K15	144	4
				90118-383-000	K9	138	8	90452-413-000	G8	74	20	91001-KPH-W00	G6	72	12		L7	152	9
90004-GHB-670	F1	51	16	90121-KPH-900	K10	139	9	90452-KGH-900	G8	74	19	91001-KWB-601	G6	72	12		M4	165	25
90005-GHB-610	F9	59	13	90121-KTL-740	K11	140	7	90452-KPH-900	G13	79	9	91002-KPH-881	G6	72	13		M8	169	25
90005-KY7-000	F7	57	8	90128-KFM-900	I16	113	17	90454-KPH-900	G13	79	10	91002-KPH-901	G6	72	13	91540-KPH-901	L15	160	9
90010-KM1-000	G1	67	6		J1	114	17	90455-GB2-000	F12	62	23	91002-KPH-W00	G6	72	13				
90012-333-000	F4	54	13	90131-KGH-900	I8	105	15	90461-115-000	G8	74	22	91002-MG8-003	F13	63	14				
90022-MG8-000	G11	77	16	90145-KM3-751	H11	92	16	90461-357-000	F2	52	20	91007-GB6-911	F4	54	16	92000			
90031-KPH-900	G3	69	9	90145-KPH-B30	H11	92	16	90461-GB4-770	G8	74	21	91007-GB6-912	F4	54	16	92101-06010-0A	G8	74	26
90032-KPH-900	G3	69	10	90164-028-000	L14	159	8	90485-040-000	F9	59	15	91007-KPH-901	F9	59	18	92101-06020-0A	K3	132	11
90033-KPH-900	G3	69	11		L15	160	8	90485-286-000	K14	143	3	91008-KK6-000	F13	63	14		M4	165	26
90035-166-008	H4	85	15		L16	161	8		K15	144	2	91052-KWB-601	I10	107	19	92101-08025-0A	K3	132	12
	H6	87	14	90185-KPH-B30	J4	117	12	90501-GBL-730	F13	63	13		I16	113	23	92101-08025-OH	H13	94	24
	H8	89	16	90186-KPH-B30	J4	117	13	90501-KPH-690	H15	96	22		J2	115	23		H16	97	25
90050-KPH-900	F13	63	10	90191-KPP-900	H12	93	19		I2	99	17	91053-KWB-601	I10	107	20	92800-12000	G3	69	15
90071-MB0-000	G2	68	7		H15	96	20	90501-KPH-880	H13	94	21		I16	113	25	92811-10000	I13	110	15
90083-GB6-911	F7	57	9		I2	99	15	90502-GG2-000	M4	165	23		J2	115	25	92812-10000	K10	139	13
90083-KFL-850	F12	62	18	90206-001-000	F4	54	14	90502-KPH-900	M10	171	14	91054-KWB-601	I16	113	24		K12	141	11
90084-428-000	F15	65	5	90231-087-010	F12	62	19		L7	152	7		J2	115	24	92900-08028-OE	F2	52	23
90085-413-781	G1	67	8	90231-KM7-700	F13	63	11		L8	153	5	91071-KPH-901	G1	67	7				
90087-KGH-900	F15	65	6	90301-KGH-901	I12	109	10	90503-KBP-900	I6	103	5	91101-GB2-000	F12	62	26	93000			
90101-GJ6-000	H1	82	4		I13	110	12	90503-KEV-880	K11	140	8	91105-KTM-970	F14	64	10	93301-05012-0J	F14	64	7
	H2	83	5	90301-KPH-700	K13	142	5	90505-425-000	I13	110	14	91111-KW7-900	G11	77	18	93301-05016-0A	L9	154	13
	H3	84	5	90301-KPH-900	K13	142	5	90505-KPH-880	H13	94	22	91204-KPH-901	G8	74	25		L11	156	16
	H4	85	16	90302-KBP-900	I12	109	11		H16	97	23	91204-MC7-003	F9	59	19		L12	157	11
	H8	89	17		I13	110	13		I2	99	18	91208-KPH-901	G3	69	13		L12	157	11
90102-KGH-900	H10	91	14		I16	113	18	90513-405-000	K12	141	9	91251-KGH-901	I16	113	21	93401-06010-00	K10	139	10
90103-KPH-720	H15	96	18		J1	114	18	90522-KPH-700	M8	169	23		J2	115	21	93404-06012-00	J9	122	9



PART NO. INDEX

Part Number	Address	Page	Ref.	Part Number	Address	Page	Ref.	Part Number	Address	Page	Ref.	Part Number	Address	Page	Ref.	Part Number	Address	Page	Ref.
93500-05008-0G	K1	130	7	94001-08000-0S	I13	110	17	95014-72102	K8	137	10	96001-06016-00	F16	66	6				
93500-05010-0G	H9	90	14		K10	139	14	95014-73100	K3	132	15		I6	103	8				
93500-05012-0G	H9	90	15		K12	141	12	95015-32001	K3	132	16		K12	141	18				
93500-05025-0G	H9	90	16	94002-10000-0S	K8	137	7	95015-83000	K5	134	17	96001-06020-00	F2	52	26				
	J15	128	11	94030-08000	F10	60	22		K7	136	20	96001-06022-00	F2	52	27				
93600-04012-1G	H11	92	19	94031-10000	K10	139	11	95701-06010-07	K12	141	17		F7	57	12				
93891-04016-07	H13	94	25		K12	141	13	95701-06012-00	F2	52	24		F15	65	10				
	H16	97	26	94050-06000	H11	92	21		J3	116	11		F16	66	7				
	I2	99	20	94050-08000	J16	129	8		L3	148	10	96001-06025-00	F15	65	10				
93891-04020-07	H13	94	26		K1	130	8		L5	150	14		I6	103	7				
	H16	97	27	94050-10000	K5	134	14		L6	151	11	96001-06028-00	F15	65	11				
	I2	99	21		K7	136	17	95701-06012-07	J12	125	12	96001-06030-00	L7	152	10				
93892-03012-18	G15	81	26	94050-10080	L14	159	9	95701-06012-08	K14	143	5		L8	153	7				
93892-04010-10	G15	81	27		L15	160	10		K15	144	5	96001-06035-00	F15	65	12				
93892-04010-18	G15	81	27		L16	161	9	95701-06014-00	F7	57	11	96001-06040-00	F10	60	23				
93892-04014-08	G16	81	28	94050-12000	F16	66	5		G4	70	18	96001-06045-00	F2	52	28				
93892-04014-18	G15	81	28	94101-05000	K3	132	13		G8	74	27	96001-06060-00	G4	70	20				
93892-05010-18	G16	81	29	94101-05700	K1	130	9		L9	154	14	96001-06095-00	F2	52	29				
93893-04012-17	H11	92	20	94101-06000	K5	134	15		L11	156	17	96100-60010-00	G8	74	28				
93901-24480	L6	151	9		K7	136	18		L12	157	12	96100-62010-00	G8	74	29				
93903-24220	J12	125	10	94101-06700	M4	165	28	95701-06016-00	G4	70	19	96100-62030-00	G8	74	30				
93903-24310	H16	97	28	94101-08000	K10	139	15		L9	154	15	96140-62010-10	I10	107	19				
	J9	122	10		K12	141	14		L11	156	18		I16	113	23				
	J12	125	11	94101-10000	K13	142	6		L12	157	13		J2	115	23				
	J14	127	9	94103-05700	H9	90	17	95701-06020-00	K1	130	12	96140-62030-10	I16	113	24				
	M8	169	26	94103-06000	L3	148	9	95701-06022-07	H11	92	22		J2	115	24				
93903-24480	M8	169	27		L5	150	13	95701-06025-00	G2	68	10	96140-63010-10	I10	107	20				
93903-24580	L3	148	8		L6	151	10		M4	165	30		I16	113	25				
	L5	150	12		M4	165	29		M8	169	30		J2	115	25				
93903-25210	M4	165	27		M8	169	29		M11	172	20	96150-62010-10	I11	108	19				
	M8	169	28	94103-06700	M11	172	19	95701-06035-00	F14	64	9	96150-63010-10	I11	108	20				
	M10	171	16	94103-08000	J16	129	9		I12	109	13	96211-06000	I3	100	13				
93903-25310	H4	85	18		K1	130	10		I13	110	19	96220-30085	G11	77	19				
	H6	87	17	94111-05700	K1	130	11	95701-06110-00	F2	52	25	96220-40238	F14	64	10				
	H8	89	19	94111-10000	K10	139	16	95701-08012-00	J16	129	10	96700-06016-00	G11	77	20				
93903-25510	J15	128	12		K12	141	15	95701-08016-00	K1	130	13								
93903-34380	H3	84	6	94201-16150	K5	134	16	95701-08020-00	J8	121	14		97000						
	H13	94	27		K7	136	19		K5	134	18								
	I2	99	22	94201-20150	I13	110	18		K7	136	21	97280-31209-K0	I10	107	21				
	K16	145	8		K3	132	14	95701-08022-00	J6	119	14	97550-31209-K0	I10	107	22				
	L2	147	7		K10	139	17	95701-08025-00	K5	134	19								
	M11	172	17		K12	141	16				20	98000							
93903-34480	M11	172	18	94201-30250	K8	137	8		K7	136	22								
93903-35280	K7	136	16	94301-10120	F8	58	6	95701-08032-00	L14	159	10	98200-41000	L7	152	11				
93911-14420	L1	146	12		G3	69	16		L15	160	11		L8	153	8				
	L2	147	8	94303-03050	G6	72	15		L16	161	10		L9	154	16				
				94540-06018	F14	64	8	95701-08035-00	K5	134	20		L11	156	19				
								95701-08045-00	J16	129	11		L13	158	14				
94000				95000					K2	131	14	98200-41500	L7	152	12				
94001-06000-0S	I12	109	12					95801-10035-00	K13	142	7		L8	153	9				
	I13	110	16	95001-55040-40	J3	116	6	95801-10045-00	I3	100	12		L9	154	17				
	I16	113	22	95002-02100	J3	116	10	95801-10110-08	L14	159	11		L11	156	20				
	J2	115	22	95002-02659	G16	81	30		L15	160	12		L13	158	15				
	J4	117	14	95002-41300-08	J15	128	13		L16	161	11								
	J5	118	12	95002-50000	J15	128	14					99000							
	J7	120	12	95002-70000	G4	70	17	96000											
94001-06070-0S	J4	117	15	95002-80000	G4	70	17					99101-KPH-0780	G16	81	31				
	J6	119	13		J15	128	15	96001-06014-00	F16	66	6	99103-KPH-0350	G16	81	32				
	J7	120	13	95014-71102	K8	137	9		I6	103	6								

PART NAME INDEX

Part name	Address	Page	Ref.	Part name	Address	Page	Ref.	Part name	Address	Page	Ref.
BOLT, HEX., 5X16	L11	156	16	BULB, WINKER	L6	151	6	CIRCLIP, INTERNAL, 45MM	F12	62	23
	L12	157	11	BUSH, 15MM	G7	73	3	CLAMP	H5	86	3
BOLT, HEX., 6X10	G8	74	26	BUSH, RR. CUSHION RUBBER	K13	142	3	CLAMPER B, BRAKE HOSE	H10	91	4
BOLT, HEX., 6X20	K3	132	11	BUSH, RUBBER	K13	142	2		H11	92	24
	M4	165	26					CLAMPER, A.C. GENERATOR CORD ..	F16	66	3
BOLT, HEX., 8X25	H13	94	24	[C]				CLAMPER, BRAKE HOSE	H10	91	3
	H16	97	25	CABLE COMP., CHOKE	H9	90	2		H11	92	23
	K3	132	12	CABLE COMP., SPEEDOMETER	H4	85	13	CLAMPER, FUEL TUBE	F1	51	14
BOLT, KNOCK, 5MM	F7	57	9		H5	86	11	CLAMP, OVER FLOW PIPE	F15	65	4
BOLT, OIL, 10X22	H11	92	16		H8	89	13	CLAMP, TUBE	J15	128	13
BOLT, PIN	I8	105	8	CABLE COMP., THROTTLE	H9	90	1	CLIP, BATTERY COVER	L8	153	6
BOLT, SEAT HINGE	J4	117	11	CABLE, INNER	H4	85	14	CLIP, HARNESS BAND	L15	160	9
	J5	118	11		H5	86	12	CLIP, HEADLIGHT	H2	83	4
	J7	120	11		H8	89	14	CLIP, HIGH TENSION CORD	J5	118	1
BOLT, SETTING	G2	68	4	CABLE, SEAT LOCK	J5	118	9	CLIP, PISTON PIN, 13MM	G5	71	6
BOLT, SOCKET, 6MM	G1	67	8	CABLE, STARTING MOTOR	L9	154	8	CLIP, TRIM	J9	122	7
BOLT, SOCKET, 6X10	L15	160	7		L10	155	9	CLIP, TUBE	G4	70	17
	L16	161	7		L13	158	17		G16	81	30
BOLT, SOCKET, 6X16	G11	77	20	CALIPER SUB ASSY., R. FR.	I8	105	13		J3	116	10
BOLT, SOCKET, 8MM	I7	104	15	CAMSHAFT COMP.	F4	54	2		J15	128	14
BOLT, SOCKET, 8X18	G1	67	6	CAM, RR. BRAKE	I12	109	5	CLIP, VALVE GUIDE	F1	51	2
BOLT, SOCKET, 8X55	J4	117	13		I13	110	6	CLUTCH ASSY., ONE WAY	G1	67	2
BOLT, SOCKET, 8X65	J4	117	12	CAP ASSY., NOISE SUPPRESSOR ...	L9	154	4	COIL ASSY., IGNITION	L9	154	3
BOLT, SPECIAL FLANGE, 5X8	F12	62	18		L10	155	4		L10	155	3
BOLT, SPECIAL FLANGE, 6X20 ...	F13	63	10		L12	157	4		L12	157	3
BOLT, STUD, 8X19.5	I16	113	17	CAP COMP., FUEL FILLER	J3	116	3	COLLAR A, HANDLE SETTING	H13	94	21
	J1	114	17	CAP, 30MM	F15	65	6		H15	96	22
BOLT, STUD, 8X28	F2	52	23	CAP, AIR CLEANER	J15	128	9		I2	99	17
BOLT, SWINGARM PIVOT	K10	139	9	CAP, A.C. GENERATOR	F15	65	5	COLLAR B, HANDLE SETTING	H13	94	22
	K11	140	7	CAP, BLEEDER	I8	105	4		H16	97	23
BOOT B	I8	105	10	CAP, CABLE SEALING	G15	81	15		I2	99	18
BOOT COMP.	H10	91	5	CAP, CHAIN CASE PEEP HOLE	K9	138	5	COLLAR, 6.2X20	L7	152	7
BOOT, PIN BUSH	I8	105	9	CAP, CHANGE SWITCH CONTACT ...	G11	77	14		L8	153	5
BOX ASSY., SPEEDOMETER GEAR ..	I10	107	11	CAP, CHOKE DUST	G15	81	16	COLLAR, CLUTCH OUTER	F13	63	3
	I11	108	11	CAP, HANDLE COVER	H12	93	15	COLLAR, FR. AXLE DISTANCE	I9	106	5
BOX COMP., LUGGAGE	L7	152	4		H14	95	14		I11	108	5
	L8	153	3	CAP, LOCK NUT	H9	90	9	COLLAR, FR. FENDER	I6	103	3
BRACKET SUB ASSY., FR. CALIPER	I8	105	14	CAP, MASTER CYLINDER	H10	91	8		K11	140	8
BRACKET, HEADLIGHT	H3	84	2	CARBURETOR ASSY.	G14	80	14	COLLAR, FR. WHEEL SIDE	I9	106	4
BRACKET, MAIN STEP	K4	133	3	CASE	H4	85	6		I11	108	4
	K6	135	3	CASE ASSY.	H7	88	6	COLLAR, HANDLE MOUNTING	H12	93	11
BULB, HEADLIGHT	H1	82	3	CASE COMP., UNDER	H5	86	7		H14	95	11
	H2	83	3	CASE SUB ASSY., AIR CLEANER ...	J15	128	3	COLLAR, HORN SETTING	L9	154	11
	H3	84	4	CASE, DRIVE CHAIN	K11	140	1		L11	156	14
BULB, TAILLIGHT	L3	148	7	CASE, L. FR. BOTTOM	I7	104	14	COLLAR, KICK RETAINER	G13	79	5
	L4	149	11	CASE, R. FR. BOTTOM	I7	104	5	COLLAR, KICK SPRING	G13	79	8
	L6	151	7	CASE, UNDER HALF DRIVE CHAIN ..	K9	138	2	COLLAR, LOCK PLATE	G7	73	13
BULB, WEDGE BASE	H4	85	1	CASE, UPPER HALF DRIVE CHAIN ..	K9	138	1	COLLAR, MAIN SIDE COVER	I6	103	5
			2	CENTER, CLUTCH	F13	63	4	COLLAR, MAIN STEP MOUNTING ...	K4	133	5
	H5	86	1	CHAIN, CAM	F7	57	2		K6	135	7
			2	CHAIN, DRIVE	K9	138	3	COLLAR, MUFFLER MOUNTING	K4	133	2
	H7	88	1		K11	140	2		K6	135	2
			2	CHAMBER SET, FLOAT	G14	80	5	COLLAR, RR. AXLE DISTANCE	I14	111	9
BULB, WINKER	K16	145	7	CIRCLIP	H11	92	18		J1	114	9
	L1	146	11	CIRCLIP, 7MM	F9	59	16	COLLAR, RR. BRAKE PANEL SIDE ..	I13	110	4
	L2	147	6		F12	62	25	COLLAR, RR. FENDER	M4	165	23
	L3	148	6	CIRCLIP, EXTERNAL, 17MM	G8	74	23		M10	171	14
	L4	149	10								

PART NAME INDEX

Part name	Address	Page	Ref.	Part name	Address	Page	Ref.	Part name	Address	Page	Ref.
COLLAR, RR. WHEEL SIDE	I14	111	7	COVER, MAIN PIPE UPPER	M3	164	7	DUST SEAL, 40X50X5	I10	107	18
	J1	114	7		M7	168	8		I11	108	18
COLLAR, RUBBER BUSH	K13	142	4	COVER, MUFFLER	J16	129	4	DUST SEAL, BRAKE CAM	I12	109	8
COLLAR, SEAT MOUNTING	M4	165	14	COVER, OIL FILTER	F11	61	1		I13	110	10
COLLAR, SIDE COVER SETTING ...	M8	169	23	COVER, RR. HANDLE	I1	98	9	DUST SEAL, STEERING HEAD	I3	100	9
COLLAR, STARTER REDUCTION	G1	67	5	COVER, R. LEG SHIELD INNER	M3	164	9				
COLLAR, UNDER COVER	M4	165	17		M7	168	10	[E]			
COLLAR, WINKER STAY	J16	129	5	COVER, SPEEDOMETER	H15	96	15	ELEMENT COMP., AIR CLEANER	J15	128	1
COTTER, VALVE	F4	54	12	COVER, TAIL	J9	122	5	EMBLEM, PRODUCT	H6	87	13
COUNTERSHAFT	G7	73	2		J13	126	5		H8	89	15
COVER ASSY., HANDLE FR.	H12	93	13		J14	127	5		H12	93	17
COVER COMP., L. CENTER	J13	126	2	COVER, TAPPET ADJUSTING HOLE ..	F1	51	7	E-RING, 6MM	F14	64	8
COVER COMP., L. RR.	F15	65	2	COVER, TUBE	L1	146	2				
COVER COMP., R. CENTER	J13	126	1	COVER, UNDER	M3	164	4	[F]			
COVER COMP., R. CRANKCASE	F9	59	1		M6	167	5	FENDER A, FR.	I5	102	1
COVER SET, FR. BODY	J10	123	1		M7	168	5	FENDER B, FR.	I5	102	2
COVER SET, FR. TOP	M3	164	3	CRANKCASE COMP., L.	G3	69	3		I6	103	2
	M9	170	3	CRANKCASE COMP., R.	G3	69	1	FENDER COMP. B, FR.	I5	102	2
	M10	171	3	CRANKSHAFT COMP.	G5	71	2	FENDER SET, RR.	K15	144	1
COVER SET, HANDLE	H15	96	16	CRANKSHAFT COMP., R.	G5	71	7	FENDER, RR.	K14	143	1
COVER SET, HANDLE FR.	I1	98	11	CRANKSHAFT, L.	G5	71	8	FLANGE SUB ASSY., FINAL DRIVEN	I14	111	8
	I2	99	11	CUP, FUEL STRAINER	G15	81	20		J1	114	8
COVER SET, L. BODY	J9	122	4	CUSHION ASSY., RR.	K13	142	1	FLAP, TIRE	I10	107	10
	J10	123	4	CUSHION, BATTERY	L7	152	6		I15	112	16
	J13	126	4	CUSHION, C.D.I. UNIT	L9	154	1	FLOAT SET	G14	80	3
COVER SET, L. MAIN PIPE SIDE .	M2	163	2		L10	155	1	FLYWHEEL COMP.	F16	66	1
	M3	164	2		L12	157	1	FORK ASSY., L. FR.	I7	104	13
	M6	167	3	CUSHION, FR. TOP COVER	M3	164	11	FORK ASSY., R. FR.	I7	104	1
			4		M8	169	13	FORK, L. GEARSHIFT	G11	77	2
	M9	170	2		M10	171	5	FORK, R. GEARSHIFT	G11	77	1
COVER SET, L. SIDE	J11	124	6	CYLINDER COMP.	F8	58	1	FUEL UNIT SET	J3	116	7
COVER SET, R. BODY	J9	122	3	CYLINDER SET, MASTER	H10	91	12	FUSE, MINI	L7	152	11
	J10	123	3	CYLINDER SUB ASSY., FR. BRAKE							
	J13	126	3	MASTER	H10	91	6				
COVER SET, R. MAIN PIPE SIDE .	M2	163	1	C.D.I. UNIT	L9	154	2				
	M5	166	1		L10	155	2				
			2		L12	157	2				
	M6	167	2								
	M9	170	1	[D]							
COVER SET, R. SIDE	J10	123	5	DAMPER SET, WHEEL	I14	111	1				
	J11	124	5		J1	114	1				
COVER SET, TAIL	J11	124	7	DIAPHRAGM	H10	91	10				
	J12	125	7	DISK, CLUTCH FRICTION	F13	63	5				
COVER SUB ASSY., AIR CLEANER .	J15	128	6	DISK, FR. BRAKE	I10	107	14	[G]			
COVER, BATTERY	L7	152	2		I11	108	14	GASKET	L1	146	1
	L8	153	2	DOWEL PIN, 10X12	F8	58	6	GASKET SET	G14	80	1
COVER, CENTER	M3	164	8		G3	69	16	GASKET SET B	G14	80	10
	M7	168	9	DOWEL PIN, 3X5	G6	72	15	GASKET, CARBURETOR INSULATOR ..	F1	51	11
COVER, EX. PIPE	K1	130	1	DOWEL PIN, 8X12	F4	54	15	GASKET, CYLINDER	F8	58	2
COVER, FR. TOP	M7	168	12		F9	59	17	GASKET, CYLINDER HEAD	F1	51	5
	M8	169	12		F14	64	6	GASKET, EX. PIPE	J16	129	1
COVER, HANDLE RR.	H12	93	14		F15	65	7		K1	130	2
	H14	95	13	DRIVER, SCREW	M1	162	2				
COVER, L. CRANKCASE	F15	65	1	DRUM, GEARSHIFT	G11	77	4	GASKET, FLOAT CHAMBER	G15	81	18
COVER, L. CYLINDER HEAD SIDE .	F1	51	6	DUST SEAL, 21X37X7	I10	107	17	GASKET, L. CRANKCASE COVER	F15	65	3
COVER, L. LEG SHIELD INNER ...	M3	164	10		I11	108	17	GASKET, L. CYLINDER HEAD SIDE			
	M7	168	11	DUST SEAL, 27X40X4.5	I16	113	21	COVER	F1	51	8
COVER, L. RR. CRANKCASE	F15	65	2		J2	115	21				
COVER, MAIN PIPE	M10	171	4								

PART NAME INDEX

Part name	Address	Page	Ref.	Part name	Address	Page	Ref.	Part name	Address	Page	Ref.
GASKET, OIL FILTER	F11	61	2	HOUSING, UNDER THROTTLE	H9	90	8	LIGHT ASSY., RR. COMBINATION..	L4	149	1
GASKET, R. CRANKCASE COVER ...	F9	59	3	HOUSING, UPPER THROTTLE	H9	90	7		L6	151	1
GASKET, TENSIONER LIFTER	F7	57	6	HUB SUB ASSY., FR.	I9	106	6	LOCK ASSY., SEAT	J4	117	9
GAUGE, OIL LEVEL	F9	59	4	HUB SUB ASSY., FR. WHEEL	I9	106	6		J7	120	10
GEAR COMP., PRIMARY DRIVE	F12	62	13	HUB SUB ASSY., RR.	I14	111	10	LOCK COMP., SEAT	J4	117	6
GEAR COMP., STARTER DRIVEN ...	G1	67	1		I15	112	10		J5	118	7
GEAR, COUNTERSHAFT FIRST	G7	73	4	[I]					J7	120	7
GEAR, COUNTERSHAFT FOURTH	G7	73	10					[M]			
GEAR, COUNTERSHAFT SECOND	G7	73	6	INDICATOR, FR. BRAKE	I12	109	9	MAINSHAFT	G7	73	1
GEAR, COUNTERSHAFT THIRD	G7	73	8		I13	110	11	MARK	N2	179	13
GEAR, MAINSHAFT FOURTH	G7	73	9	INNER COMP., ONE-WAY CLUTCH ...	F11	61	6		N8	185	11
GEAR, MAINSHAFT SECOND	G7	73	5	INSULATOR, CARBURETOR	F1	51	12				
GEAR, MAINSHAFT THIRD	G7	73	7	[J]				MARK, BATTERY CAUTION	M12	173	3
GEAR, OIL PUMP DRIVE	G5	71	10					MARK, DRIVE CAUTION	M12	173	4
GEAR, OIL PUMP DRIVEN	F14	64	2	JET, MAIN,	G16	81	31	MARK, ELECTRIC STARTER	M16	177	12
GEAR, SPEEDOMETER	I10	107	12	JET, OIL, 0.8MM	G3	69	2		N2	179	12
	I11	108	12	JET, SLOW,	G16	81	32		N6	183	12
GEAR, STARTER REDUCTION	G1	67	3	JOINT B, BRAKE ARM	K3	132	16		N8	185	14
GLASS	H5	86	6	JOINT, DRIVE CHAIN	K9	138	4	MARK, HONDA	M14	175	11
GRIP	M1	162	3		K11	140	3				
GRIP COMP., THROTTLE	H9	90	5	[K]					M16	177	11
GRIP, L. HANDLE	H9	90	6								
GROMMET, AIR CLEANER CASE	K14	143	2	KEY SET	L14	159	3		N2	179	11
GROMMET, SIDE COVER	K14	143	2		L15	160	1				
GUARD, L. PIVOT COVER	K6	135	11		L16	161	1				
GUARD, R. PIVOT COVER	K6	135	5	KEY, BLANK	L14	159	5		N4	181	11
GUIDE COMP., CAM CHAIN	F7	57	7		L15	160	4				
GUIDE, CLUTCH OUTER	F13	63	2		L16	161	4				
GUIDE, FR. BRAKE CABLE	I3	100	3	KEY, WOODRUFF, 4MM	G5	71	11		N6	183	11
GUIDE, VALVE	F1	51	4								
[H]				[L]							
HARNESS, WIRE	L9	154	6	LABEL, CARGO LIMIT	M12	173	1		N7	184	1
	L10	155	6	LABEL, ENGINE STARTER	M12	173	5				
	L12	157	6	LABEL, TIRE & DRIVE CHAIN	M12	173	2	MARK, L. ELECTRIC STARTER	M14	175	10
HEADLIGHT UNIT	H2	83	1	LENS	H4	85	8	MARK, R. ELECTRIC STARTER	M14	175	9
	H3	84	1	LENS ASSY.	H7	88	5	METER COMP., SPEED & FUEL	H4	85	5
HEAD COMP., CYLINDER	F1	51	1	LENS COMP., TAILLIGHT	L4	149	3		H5	86	5
HINGE, SEAT	J4	117	4	LENS, L. FR. WINKER	K16	145	4	MIRROR COMP., L.	H9	90	11
	J5	118	4		L1	146	8	MIRROR COMP., R.	H9	90	10
	J7	120	5	LENS, L. WINKER	L2	147	4	MOTOR ASSY., STARTING	G2	68	1
HOLDER SET, BRUSH	G2	68	5	LENS, R. WINKER	L4	149	9	MUFFLER COMP.	K1	130	5
HOLDER, DRUM STOPPER	G11	77	6	LENS, RR. COMBINATION	L3	148	3	MUFFLER COMP., EX.	J16	129	3
HOLDER, L. PILLION STEP	K5	134	13		L6	151	3				
	K6	135	10	LENS, R. FR. WINKER	K16	145	1	[N]			
HOLDER, MASTER CYLINDER	H10	91	9		L1	146	4	NEEDLE SET, JET	G14	80	2
HOLDER, NEEDLE JET	G15	81	19	LENS, R. WINKER	L2	147	1	NUT-WASHER, 6MM	G2	68	7
HOLDER, R. PILLION STEP	K4	133	12	LENS, R. WINKER	L4	149	2	NUT, BRAKE ROD ADJUSTING	K3	132	7
	K5	134	12	LENS, TAILLIGHT INNER	L3	148	2	NUT, CAP, 8MM	F2	52	19
	K6	135	4	LEVER COMP., CLUTCH	F9	59	5	NUT, CLIP, 4MM	H12	93	16
HOLDER, WINKER RELAY	H4	85	7	LEVER SET, COCK	G15	81	25		H15	96	17
	H7	88	7	LEVER, CHOKE	H9	90	3	NUT, CLIP, 5MM	J9	122	6
HOOK, HELMET	L7	152	3	LEVER, R. STEERING HANDLE	H10	91	13		J12	125	8
HOOK, MAIN STAND SPRING	K8	137	3	LIFTER ASSY., TENSIONER	F7	57	5		J14	127	7
HORN COMP.	L9	154	9	LIGHT ASSY., RR. COMBINATION ..	L3	148	1				
	L10	155	10								
	L12	157	8								
HOSE COMP., FR. BRAKE	H10	91	2								

PART NAME INDEX

Part name	Address	Page	Ref.	Part name	Address	Page	Ref.	Part name	Address	Page	Ref.
NUT, CLIP, 5MM	K14	143	4	[O]				PIPE COMP., STEERING HANDLE...	H12	93	6
	K15	144	3						H14	95	6
	L6	151	8	OIL SEAL, 11.6X24X10	G3	69	13		I1	98	4
	L7	152	8	OIL SEAL, 16X28X7	F9	59	19	PIPE, IN.	F1	51	13
	M4	165	24	OIL SEAL, 17X30X5	G8	74	25	PIPE, SEAT	I7	104	11
	M8	169	24	O-RING	G2	68	9	PISTON	G5	71	4
	M10	171	15		G14	80	13		I8	105	5
NUT, FENDER SETTING	I6	103	4		I7	104	17	PIVOT, SHIFT DRUM STOPPER ARM-	G11	77	16
NUT, FLANGE, 10MM	K5	134	14	O-RING, 13.8X2.5	F15	65	8	PLATE ASSY., REFLECTING	H7	88	9
	K7	136	17	O-RING, 18X3	F10	60	21	PLATE COMP., BRAKE	F9	59	10
	L14	159	9	O-RING, 19.4X2.3	G3	69	14	PLATE COMP., CLUTCH CAM	F9	59	6
	L15	160	10	O-RING, 1.3X4.3	G14	80	12	PLATE COMP., CLUTCH LIFTER ...	F9	59	8
	L16	161	9	O-RING, 1.5X9.5	F7	57	10	PLATE COMP., GEARSHIFT DRUM			
NUT, FLANGE, 12MM	F16	66	5	O-RING, 24.4X3.1	G2	68	8	STOPPER	G11	77	5
NUT, FLANGE, 6MM	H11	92	21	O-RING, 25X2.4	F2	52	21	PLATE COMP., PRIMARY DRIVE ...	F11	61	5
NUT, FLANGE, 8MM	J16	129	8	O-RING, 30MM	F15	65	9	PLATE COMP., REFLECTING	H5	86	8
	K1	130	8	O-RING, 40.5X3	I15	112	12	PLATE SET, VALVE	G14	80	9
NUT, HEX. CAP, 10MM	K13	142	5		J1	114	12	PLATE, BEARING	G3	69	6
NUT, HEX. CAP, 8MM	J16	129	7	O-RING, 8MM	F9	59	20	PLATE, BEARING HOLDER	G7	73	18
	K1	130	6	O-RING, 8.5X1.5	H4	85	17	PLATE, CLUTCH	F13	63	6
NUT, HEX., 10MM	K8	137	7		H6	87	16	PLATE, CLUTCH LIFTER	F13	63	8
	K10	139	11		H8	89	18	PLATE, CLUTCH PRESSURE	F13	63	7
	K12	141	13	O-RING, TAPPET ADJUSTING HOLE				PLATE, CLUTCH SIDE	F11	61	10
NUT, HEX., 6MM	I12	109	12	CAP	F2	52	22	PLATE, DIAPHRAGM	H10	91	11
	I13	110	16	OUTER ASSY., PRIMARY CLUTCH ...	F11	61	11	PLATE, DRUM LOCK	G7	73	15
	I16	113	22		F12	62	11	PLATE, FIXING	G7	73	12
	J2	115	22				27	PLATE, PILLION STEP	K4	133	9
	J4	117	14	OUTER COMP., CLUTCH	F13	63	1		K6	135	13
			15					PLATE, STOPPER	F1	51	3
	J5	118	12	[P]				PLATE, TENSIONER SETTING	F7	57	4
	J6	119	13	PACKING	L4	149	6	PLUG, BEARING PUSH	G3	69	4
	J7	120	12				7	PLUG, SPARK	F1	51	15
NUT, HEX., 8MM	F10	60	22	PACKING, BASE	J3	116	8	PLUNGER, CAM SETTING	F1	51	9
	I13	110	17	PACKING, DRAIN COCK, 12.5X20 ..	G3	69	12	POST COMP., HANDLE	H12	93	12
	I16	113	20	PACKING, DRIVE CHAIN CASE	K9	138	6		H14	95	12
	J1	114	20	PACKING, FUEL FILLER CAP	J3	116	4	PROTECTOR	H10	91	7
	K10	139	14	PACKING, FR.	I8	105	2	PROTECTOR COMP., R. COVER	F9	59	2
	K12	141	12	PAD SET, FR. BRAKE	I8	105	2	PUMP ASSY., OIL	F14	64	1
NUT, LOCK	H9	90	12	PAD SET, FR. BRAKE	I12	109	4				
NUT, LOCK, 14MM	F12	62	19	PANEL COMP., RR. BRAKE	I13	110	5	[R]			
	F13	63	11		K3	132	8	RACE, STEERING BOTTOM BALL	I3	100	5
NUT, SPECIAL, 6MM	I12	109	11	PEDAL COMP., BRAKE	K3	132	1	RACE, STEERING BOTTOM CONE	I3	100	8
	I13	110	13	PEDAL, GEAR CHANGE	F12	62	17	RACE, STEERING TOP BALL	I3	100	4
	I16	113	18	PIN	G13	79	1	RACE, STEERING TOP CONE	I3	100	7
	J1	114	18	PINION, KICK STARTER	K5	134	17	RACE, STEERING TOP CONE	J4	117	10
NUT, SPRING, 4MM	M10	171	13	PIN C, PILLION STEP	K7	136	20	RAIL, RR. GRAB	J5	118	10
NUT, STEERING STEM LOCK	I3	100	6		I8	105	11		J7	120	1
NUT, TAPPET ADJUSTING	F4	54	14	PIN, HANGER	G5	71	5	RATCHET, STARTER DRIVE	G13	79	2
NUT, U, 10MM	H13	94	20	PIN, PISTON	G11	77	13	RECTIFIER ASSY., REGULATOR ...	L9	154	5
	H15	96	21	PIN, SHIFT RETURN SPRING	K5	134	16	RECTIFIER COMP., REGULATE	L12	157	5
	I2	99	16	PIN, SPLIT, 1.6X15	K7	136	19	RECTIFIER COMP., REGULATOR ...	L10	155	5
NUT, U, 12MM	I10	107	16	PIN, SPLIT, 2.0X15	I13	110	18	REFLECTOR, RR. REFLEX	L4	149	8
	I11	108	16		K3	132	14	RELAY COMP., STARTER	L9	154	10
	I16	113	19		K10	139	17		L10	155	13
	J1	114	19	PIN, SPLIT, 3.0X25	K12	141	16	RELAY COMP., WINKER	L13	158	18
NUT, U, 6MM	I12	109	10	PIPE COMP., EX.	K8	137	8		H8	89	11
	I13	110	12	PIPE COMP., FR. FORK	I7	104	3		L10	155	11

PART NAME INDEX

Part name	Address	Page	Ref.	Part name	Address	Page	Ref.	Part name	Address	Page	Ref.	
RETAINER COMP., BALL	F9	59	12	RUBBER, PILLION STEP	K4	133	8	SCREW, PAN, 5X25	H9	90	16	
RETAINER, FUEL UNIT	J3	116	9		K6	135	12		J15	128	11	
RETAINER, GEAR BOX	I9	106	8	RUBBER, PROTECTOR MOUNTING	J16	129	2	SCREW, PAN, 5X8	K1	130	7	
	I11	108	8	RUBBER, SEAL	J4	117	2	SCREW, PAN, 6X6	F7	57	8	
RETAINER, KICK SPRING	G13	79	4		J5	118	2	SCREW, SIDE STAND PIVOT	K8	137	6	
RETAINER, SPRING	F12	62	15		J7	120	3	SCREW, SPECIAL, 5MM	M4	165	18	
RETAINER, VALVE SPRING	F4	54	9	RUBBER, SEAT LOCK	M4	165	15		M8	169	17	
RIM, RR. WHEEL	I15	112	13		M8	169	16		M10	171	10	
RIM, WHEEL	I9	106	1		M10	171	9	SCREW, TAPPET ADJUSTING	F4	54	13	
RING	G2	68	6	RUBBER, STAND STOPPER	K8	137	4	SCREW, TAPPING, 3X14	H4	85	16	
RING SET, PISTON	G5	71	3	RUBBER, STEP	K4	133	7		H8	89	17	
RING, HANDLE WEIGHT SNAP	H12	93	10		K6	135	9	SCREW, TAPPING, 4X10	J12	125	10	
	H14	95	10	RUBBER, STOPPER ARM	I13	110	8	SCREW, TAPPING, 4X12	H3	84	6	
	I1	98	8						H13	94	27	
RING, OIL SEAL STOPPER	I7	104	10	[S]					H16	97	28	
RING, PISTON	I7	104	7	SCREEN, FUEL STRAINER	G15	81	21		I2	99	22	
RING, STOPPER	I7	104	9	SCREEN, OIL FILTER	F14	64	5		J9	122	10	
	I8	105	7	SCREW-WASHER, 3X12	G15	81	26		J12	125	11	
ROD COMP., RR. BRAKE	K3	132	6	SCREW-WASHER, 3X22	H4	85	10		J14	127	9	
ROD KIT, CONNECTING	G5	71	1		H5	86	10		K16	145	8	
ROLLER, 3X8.5	G11	77	19		H8	89	10		L2	147	7	
ROLLER, 4X10.8	G11	77	18	SCREW-WASHER, 4X10	G15	81	27		M8	169	26	
ROLLER, 4X23.8	F14	64	10	SCREW-WASHER, 4X12	H11	92	20		M11	172	17	
ROLLER, 5X8	F12	62	26	SCREW-WASHER, 4X14	G15	81	28	SCREW, TAPPING, 4X14	H6	87	15	
ROTOR, OIL PUMP INNER	F14	64	3					SCREW, TAPPING, 4X16	L1	146	12	
ROTOR, OIL PUMP OUTER	F14	64	4	SCREW-WASHER, 4X16	H13	94	25		L2	147	8	
RUBBER A, HANDLE WEIGHT	H12	93	9		H16	97	26		L6	151	9	
	H14	95	9		I2	99	20		M8	169	27	
	I1	98	7	SCREW-WASHER, 4X20	H13	94	26		M11	172	18	
RUBBER A, INSERT	F8	58	3		H16	97	27	SCREW, TAPPING, 4X20	L3	148	8	
RUBBER A, TAILLIGHT MOUNTING	L3	148	4		I2	99	21		L5	150	12	
	L4	149	5	SCREW-WASHER, 5X10	G16	81	29	SCREW, TAPPING, 5X12	K7	136	16	
	L6	151	4	SCREW-WASHER, SPECIAL, 4X10	H4	85	15		M4	165	27	
RUBBER B, INSERT	F8	58	4		H6	87	14		M8	169	28	
RUBBER B, MOUNTING	L9	154	12		H8	89	16		M10	171	16	
	L11	156	15	SCREW SET	G14	80	6	SCREW, TAPPING, 5X16	H4	85	18	
	L12	157	10						H6	87	17	
RUBBER B, SEAT SETTING	J4	117	5	SCREW, 6X12	M8	169	19		H8	89	19	
	J5	118	5		M10	171	11	SCREW, TAPPING, 5X25	J15	128	12	
	J7	120	6	SCREW, 6X25	M4	165	21	SCREW, U-LOCK FLAT, 6X12	L14	159	8	
RUBBER C, INSERT	F8	58	5		M10	171	12		L15	160	8	
RUBBER C, SEAT SETTING	J5	118	6	SCREW, BLEEDER	I8	105	3		L16	161	8	
RUBBER, AIR CLEANER WATER				SCREW, FLAT, 4X12	H11	92	19	SCREW, VISOR SPECIAL SETTING	M4	165	22	
	GUARD	L14	159	SCREW, OVAL, 6X50	H12	93	19		M8	169	22	
RUBBER, BODY COVER MOUNTING	J9	122	2		H15	96	20	SEAL SET, FR. FORK	I7	104	12	
RUBBER, BODY COVER SETTING	J9	122	1	SCREW, PAN, 5X10	H9	90	14	SEAL SET, PISTON	I8	105	1	
	J10	123	2	SCREW, PAN, 5X11.5	H13	94	23	SEAL, AIR CLEANER COVER	J15	128	2	
RUBBER, CLUTCH DAMPER	F12	62	12		H16	97	24	SEAL, DUST	I7	104	6	
RUBBER, IGNITION COIL					I2	99	15	SEAL, GASKET	L2	147	2	
	PROTECTOR	L14	159	1		J9	122	8	SEAL, VALVE STEM	F4	54	1
RUBBER, KICK STARTER	K3	132	3		J12	125	9	SEAT ASSY., DOUBLE	J4	117	3	
RUBBER, LUGGAGE BOX MOUNTING	L7	152	5		J14	127	8		J5	118	3	
	L8	153	4		K15	144	4	SEAT B, SPRING	I7	104	8	
RUBBER, MAIN STEP MOUNTING	H12	93	5		L7	152	9	SEAT COMP., DOUBLE	J7	120	4	
	H14	95	5		M4	165	25	SEAT, VALVE SPRING	F4	54	11	
	K4	133	6		M4	165	25	SEAT, VALVE SPRING OUTER	F4	54	10	
	K6	135	8		M8	169	25	SET RING, 20MM	G8	74	24	
RUBBER, MUFFLER MOUNTING	K4	133	1	SCREW, PAN, 5X12	H9	90	15		G13	79	11	
	K6	135	1									

PART NAME INDEX

Part name	Address	Page	Ref.	Part name	Address	Page	Ref.	Part name	Address	Page	Ref.	
SET RING, 25MM	F12	62	24	SPRING, LOCK KEY SETTING	J4	117	1	STRIPE, L. BODY COVER	N2	179	10	
SHAFT, EX. ROCKER ARM	F4	54	5		J7	120	2		N4	181	10	
SHAFT, GEARSHIFT FORK	G11	77	3	SPRING, ONE WAY RETAINER	F11	61	4		N6	183	10	
SHAFT, IN. ROCKER ARM	F4	54	4	SPRING, PAD	I8	105	6		N8	185	10	
SHAFT, REDUCTION GEAR	G1	67	4	SPRING, PLUNGER	F1	51	10	STRIPE, L. FR. HANDLE COVER...	N3	180	2	
SHAFT, RR. BRAKE PIVOT	K8	137	2	SPRING, PRIMARY CLUTCH	F11	61	7	STRIPE, L. FR. TOP COVER	N3	180	4	
SHIELD SET, L. LEG	M3	164	13	SPRING, REBOUND	I7	104	4		N8	185	6	
	M4	165	13	SPRING, SEAT CATCH	J5	118	8	STRIPE, L. LEG SHIELD	M13	174	3	
	M8	169	15	SPRING, SEAT LOCK	J4	117	7		M15	176	2	
	M10	171	8		J7	120	8		N1	178	2	
SHIELD SET, R. LEG	M3	164	12	SPRING, SHIFT DRUM STOPPER	G11	77	8		N4	181	6	
	M8	169	14	SPRING, SIDE FRICTION	F11	61	9		N5	182	2	
	M10	171	7	SPRING, STARTER PINION					N8	185	8	
SHOE SET, BRAKE	I12	109	1		FRICITION	G13	79	6	STRIPE, L. MAIN PIPE COVER	M13	174	1
	I13	110	1	SPRING, STOP SWITCH	K3	132	5		N4	181	8	
SHUTTER SET, KEY	L15	160	2	SPRING, SUB GEAR	F12	62	16	STRIPE, L. SIDE COVER	M16	177	8	
	L16	161	2	SPRING, VALVE	F4	54	8		N2	179	8	
SLEEVE, RR. WHEEL	I14	111	6	SPROCKET, CAM	F7	57	1		N6	183	8	
	J1	114	6	SPROCKET, DRIVE	G7	73	11	STRIPE, R. BODY COVER	M16	177	9	
SLIDER, CHAIN	K11	140	5	SPROCKET, FINAL DRIVEN	I14	111	5		N2	179	9	
SOCKET COMP.	H4	85	9		J1	114	5		N4	181	9	
	H5	86	9	SPROCKET, TIMING	G5	71	9		N6	183	9	
	H7	88	8	STAND COMP., MAIN	K8	137	1		N8	185	9	
SOCKET COMP., HEADLIGHT	H1	82	2	STATOR COMP.	F16	66	2	STRIPE, R. FR. HANDLE COVER...	N3	180	1	
	H2	83	2	STAY, FR. TOP COVER	L14	159	7		N7	184	2	
	H3	84	3		L15	160	6					
SOCKET COMP., L. WINKER	K16	145	6		L16	161	6	STRIPE, R. FR. TOP COVER	N3	180	3	
	L1	146	10	STAY, L. UNDER COWL	M3	164	6		N7	184	5	
SOCKET COMP., R. WINKER	K16	145	3		M7	168	7	STRIPE, R. LEG SHIELD	M13	174	4	
	L1	146	6	STAY, MAIN PIPE SIDE	M10	171	6		M15	176	1	
SPANNER, 10X12	M1	162	4	STAY, R. UNDER COWL	M3	164	5		N1	178	1	
SPANNER, 14X17	M1	162	5		M7	168	6		N3	180	5	
SPEEDOMETER ASSY.	H4	85	4	STEM SUB ASSY., STEERING	I3	100	10		N5	182	1	
	H5	86	4	STOPPER COMP., GEARSHIFT DRUM	G11	77	7	STRIPE, R. MAIN PIPE COVER	M13	174	2	
	H7	88	3	STOPPER, CABLE	H9	90	4		N4	181	7	
SPEEDOMETER COMP.	H7	88	4	STRAINER COMP., FUEL	J3	116	1	STRIPE, R. SIDE COVER	M16	177	7	
SPINDLE COMP., GEARSHIFT	G11	77	9	STRIPE A, L. BODY COVER	M14	175	7		N2	179	7	
SPINDLE, KICK STARTER	G13	79	3	STRIPE A, L. MAIN PIPE SIDE ...	M15	176	4		N5	182	7	
SPOKE SET	I10	107	21	STRIPE A, L. MAIN PIPE SIDE					N6	183	7	
			22		COVER	N1	178	4				
SPOKE SET A, 10X158.5	I14	111	3		N5	182	4	SUB GEAR	F12	62	14	
SPOKE SET A, 10X159.0	I14	111	2	STRIPE A, R. BODY COVER	M13	174	5	SUB HARNESS, BATTERY	L9	154	7	
SPRING ASSY., RR. BRAKE RETURN	K3	132	9		M14	175	5		L10	155	7	
SPRING A, BRAKE ROD	K3	132	15	STRIPE A, R. MAIN PIPE SIDE ...	M15	176	3		L12	157	7	
SPRING A, MAIN STAND	K8	137	9	STRIPE A, R. MAIN PIPE SIDE					L13	158	16	
SPRING A, SIDE STAND	K8	137	10		COVER	N1	178	3	SUSPENSION, WINKER RELAY	H4	85	12
SPRING, BEARING PUSH	G3	69	5		N5	182	3		H8	89	12	
SPRING, BRAKE	F9	59	11	STRIPE B, L. BODY COVER	M14	175	8		L10	155	12	
SPRING, BRAKE SHOE	I12	109	7	STRIPE B, L. MAIN PIPE SIDE ...	M16	177	6	SWINGARM SET, RR.	K11	140	6	
	I13	110	9	STRIPE B, L. MAIN PIPE SIDE				SWINGARM SUB ASSY., RR.	K9	138	7	
SPRING, CAM PLATE SIDE	F9	59	7		COVER	N1	178	6	SWITCH ASSY., COMBINATION &			
SPRING, CARBON BRUSH	G2	68	3		N2	179	6		LOCK	L14	159	
SPRING, CHANGE FRICTION	G7	73	14		N5	182	6		L15	160	3	
SPRING, CHANGE SWITCH CONTACT	G11	77	15	STRIPE B, R. BODY COVER	M14	175	6		L16	161	3	
SPRING, CLUTCH	F13	63	9	STRIPE B, R. MAIN PIPE SIDE ...	M15	176	5	SWITCH ASSY., FR. STOP	H10	91	1	
SPRING, FR. FORK	I7	104	2	STRIPE B, R. MAIN PIPE SIDE				SWITCH ASSY., RR. STOP	K3	132	4	
SPRING, GEARSHIFT ARM	G11	77	11		COVER	N1	178	5	SWITCH SET, CHANGE	G3	69	8
SPRING, GEARSHIFT RETURN	G11	77	12		N5	182	5	SWITCH UNIT, DIMMER	H12	93	2	
SPRING, KICK RETURN	G13	79	7	STRIPE, L. BODY COVER	M16	177	10		H14	95	2	



PART NAME INDEX

Part name	Address	Page	Ref.	Part name	Address	Page	Ref.	Part name	Address	Page	Ref.
SWITCH UNIT, DIMMER	I1	98	1	WASHER, 8MM	F9	59	15	WRENCH, SPARK PLUG	M1	162	6
SWITCH UNIT, HORN	H12	93	3		I13	110	14				
	H14	95	3	WASHER, CHAIN CASE SETTING	K12	141	10				
	I1	98	2	WASHER, CLUTCH SIDE	F11	61	8				
SWITCH UNIT, STARTING	H12	93	1	WASHER, LOCK	F12	62	21				
	H14	95	1	WASHER, OIL BOLT	H11	92	17				
	I2	99	23	WASHER, PLAIN, 10MM	K13	142	6				
SWITCH UNIT, WINKER	H12	93	4	WASHER, PLAIN, 5MM	H9	90	17				
	H14	95	4		K1	130	9				
	I1	98	3		K3	132	13				
				WASHER, PLAIN, 6MM	K5	134	15				
[T]					K7	136	18				
TANK COMP., FUEL	J3	116	2		L3	148	9				
TENSIONER ASSY., CAM CHAIN ...	F7	57	3		L5	150	13				
TERMINAL SET, BRUSH	G2	68	2		L6	151	10				
THREAD COMP., STEERING HEAD					M4	165	28				
	TOP						29				
TIRE, FR.	I3	100	11		M8	169	29				
	I9	106	9		M11	172	19				
	I10	107	9	WASHER, PLAIN, 8MM	J16	129	9				
	I11	108	9		K1	130	10				
TIRE, RR.	I15	112	14		K10	139	15				
	J1	114	14		K12	141	14				
TOP SET	G14	80	4	WASHER, SEALING, 12MM	F2	52	20				
TUBE A, FUEL	J3	116	6	WASHER, SEALING, 8MM	F1	51	17				
TUBE, AIR CLEANER CONNECTING	J15	128	7				18				
TUBE, AIR CLEANER DRAIN	J15	128	5	WASHER, SEAT LOCK	J4	117	8				
TUBE, AIR VENT	G15	81	22		J7	120	9				
TUBE, BRAKE PEDAL SPRING	K3	132	10	WASHER, SPECIAL, 12MM	G8	74	19				
TUBE, BREATHER	G3	69	7	WASHER, SPECIAL, 12X23	G7	73	16				
TUBE, FUEL, 5.3X40	J3	116	6	WASHER, SPECIAL, 24X12X2.3	F16	66	4				
TUBE, FUEL, 5.3X600	J3	116	5	WASHER, SPECIAL, 8MM	I7	104	16				
TUBE, FUEL, 5.3X640	J3	116	5	WASHER, SPEEDOMETER GEAR	I10	107	13				
TUBE, FUEL, 5.3X650	J3	116	5		I11	108	13				
TUBE, OVERFLOW	G15	81	23	WASHER, SPLINE, 17MM	G8	74	22				
TUBE, TIRE	I9	106	2	WASHER, SPLINE, 20X1.2	G8	74	21				
	I11	108	2	WASHER, SPRING, 10MM	K10	139	16				
	I15	112	15		K12	141	15				
	J1	114	15	WASHER, SPRING, 5MM	K1	130	11				
TUBE, VINYL, 11X15X45	J15	128	4	WASHER, THRUST, 15MM	G7	73	17				
				WASHER, THRUST, 15.5MM	G13	79	9				
[V]				WASHER, THRUST, 17MM	F13	63	12				
VALVE COMP., FLOAT	G15	81	17	WASHER, THRUST, 20MM	G8	74	20				
VALVE SET, AIR CUT	G14	80	11	WASHER, THRUST, 8MM	F9	59	14				
VALVE SET, THROTTLE	G14	80	7	WASHER, WAVE	H9	90	13				
VALVE, EX.	F4	54	7		I8	105	12				
VALVE, IN.	F4	54	6	WEIGHT A, STEERING HANDLE	H12	93	8				
					H14	95	8				
					I1	98	6				
				WEIGHT B, STEERING HANDLE	H12	93	7				
					H14	95	7				
					I1	98	5				
WASHER B, LOCK	F12	62	22	WEIGHT SET, PRIMARY CLUTCH	F11	61	3				
WASHER, 14MM	F13	63	13	WHEEL SUB ASSY., FR.	I9	106	7				
WASHER, 25X20.2X1	G13	79	10		I11	108	7				
WASHER, 30X45X0.8	F12	62	20	WHEEL SUB ASSY., RR.	I15	112	11				
WASHER, 6MM	K14	143	3		J1	114	11				
	K15	144	2	WINKER ASSY., L. FR.	L1	146	7				
	K12	141	9	WINKER ASSY., R. FR.	L1	146	3				
WASHER, 6X9	K12	141	9								
WASHER, 6.1MM	G11	77	17								

1

FOREWORD INDEX

2

ENGINE GROUP

3

FRAME GROUP

4

PART NUMBER INDEX

5

PART NAME INDEX

HONDA
The Power of Dreams